

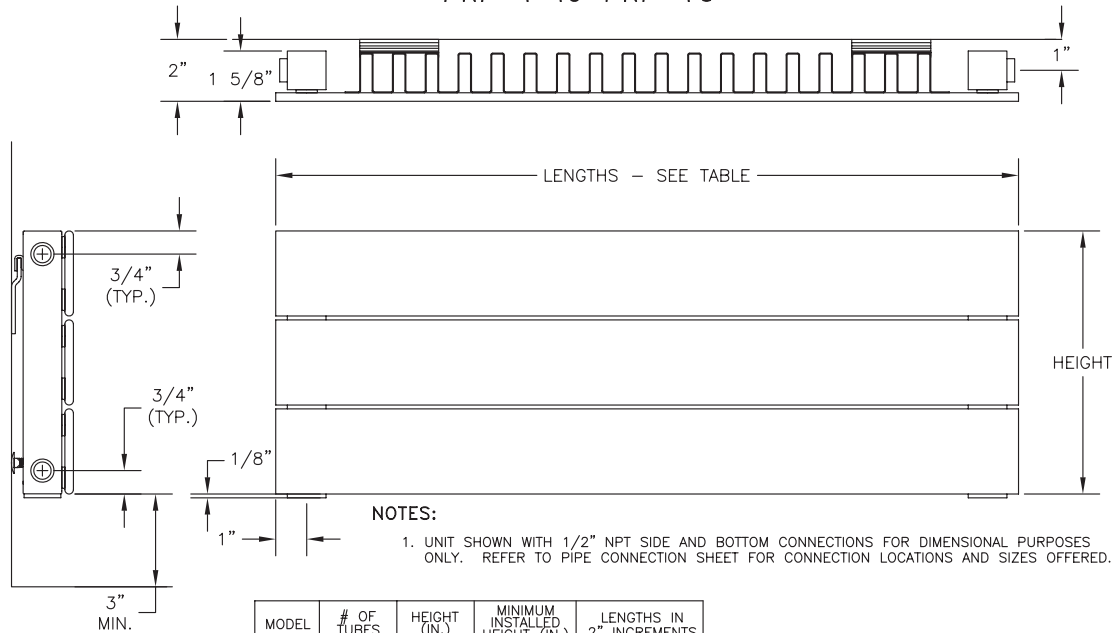
# PANEL RADIATOR

Submittal

VPRF-1R

## Specification

PRF-1 to PRF-10



**NOTES:**

1. UNIT SHOWN WITH 1/2" NPT SIDE AND BOTTOM CONNECTIONS FOR DIMENSIONAL PURPOSES ONLY. REFER TO PIPE CONNECTION SHEET FOR CONNECTION LOCATIONS AND SIZES OFFERED.

MODEL	# OF TUBES	HEIGHT (IN.)	MINIMUM INSTALLED HEIGHT (IN.)	LENGTHS IN 2" INCREMENTS
PRF-1	1	2 3/4	5 3/4	2FT TO 20FT
PRF-2	2	5 3/4	8 3/4	2FT TO 19FT
PRF-3	3	8 5/8	11 5/8	2FT TO 19FT
PRF-4	4	11 1/2	14 1/2	2FT TO 18FT
PRF-5	5	14 3/8	17 3/8	2FT TO 18FT
PRF-6	6	17 1/4	20 1/4	2FT TO 17FT
PRF-7	7	20 1/4	23 1/4	2FT TO 17FT
PRF-8	8	23 1/8	26 1/8	2FT TO 16FT
PRF-9	9	26 1/8	29 1/8	2FT TO 16FT
PRF-10	10	29	32	2FT TO 15FT

CAT-75572A

Btu/Ft. Ratings Shown Below are the Same as the Runtal UFLT Panels. If Using Against the UFLT, Include Perforated Grille.

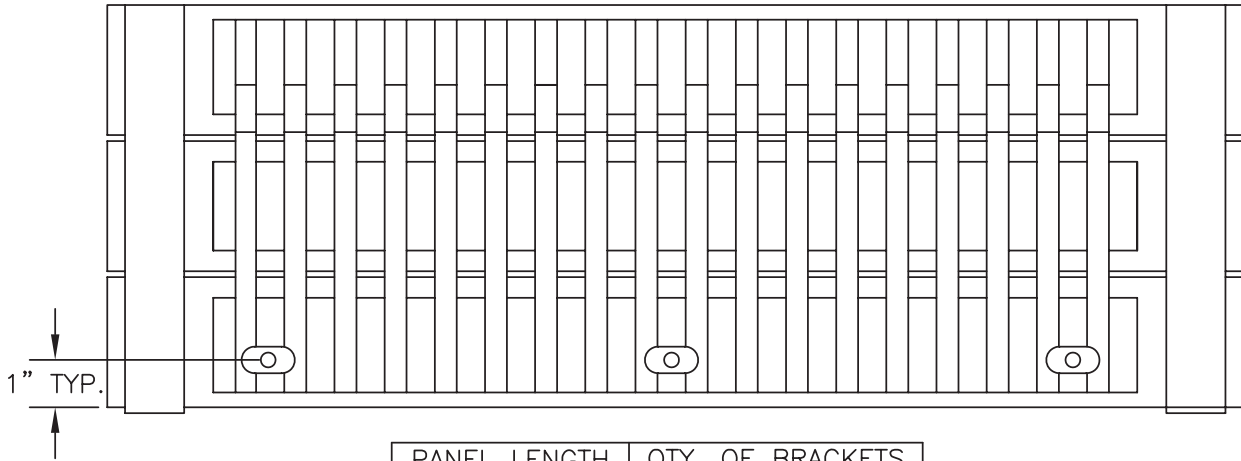
MODEL TYPE	BTU/Ft/Hr @ LISTED AWT & 65°F EAT								
	215° F	190° F	180° F	170° F	160° F	150° F	140° F	130° F	120° F
PRF 01	545	427	383	340	299	258	219	182	146
PRF 02	867	680	610	542	476	411	349	290	233
PRF 03	1118	878	787	699	613	530	451	374	300
PRF 04	1351	1060	951	844	741	641	544	452	363
PRF 05	1718	1348	1209	1073	942	815	692	574	461
PRF 06	1981	1555	1394	1238	1087	940	798	662	532
PRF 07	2145	1762	1580	1403	1232	1065	905	751	603
PRF 08	2387	1873	1680	1491	1309	1132	962	798	641
PRF 09	2527	1983	1779	1579	1386	1199	1018	845	679
PRF 10	2660	2088	1872	1662	1459	1262	1072	889	715



260 North Elm St., Westfield, MA 01085  
 (413) 568-9571 Fax: (413) 564-5661  
 www.vulcanrad.com

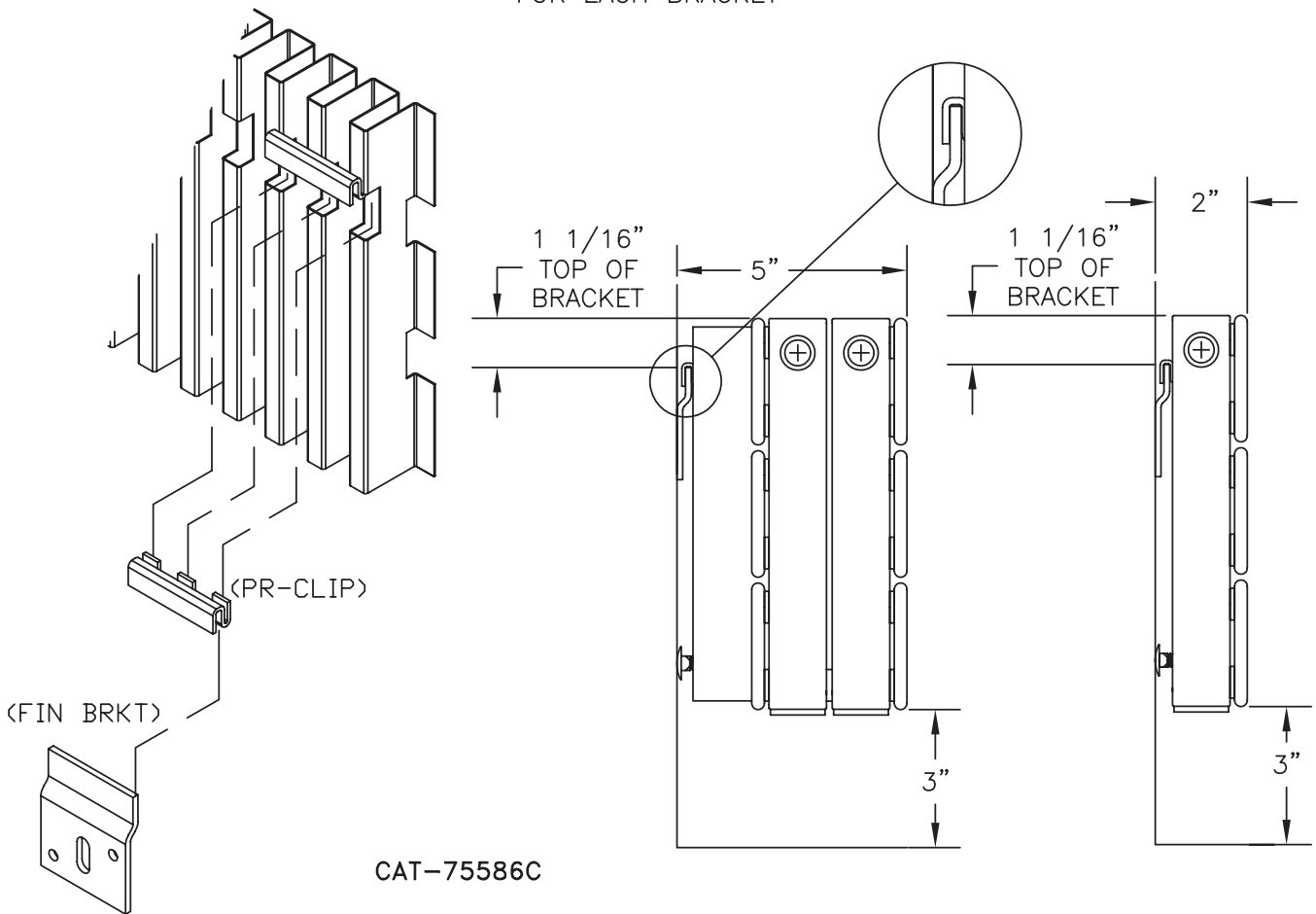
PROJECT: \_\_\_\_\_ DATE: \_\_\_\_\_  
 LOCATION: \_\_\_\_\_  
 ARCHITECT: \_\_\_\_\_  
 ENGINEER: \_\_\_\_\_  
 CONTRACTOR: \_\_\_\_\_  
 PO NUMBER: \_\_\_\_\_

# TYPICAL WALL MOUNTED INSTALLATION



PANEL LENGTH	QTY. OF BRACKETS
24" - 60"	2 PCS
62" - 138"	3 PCS
140" - 236"	4 PCS
238" - 240"	5 PCS

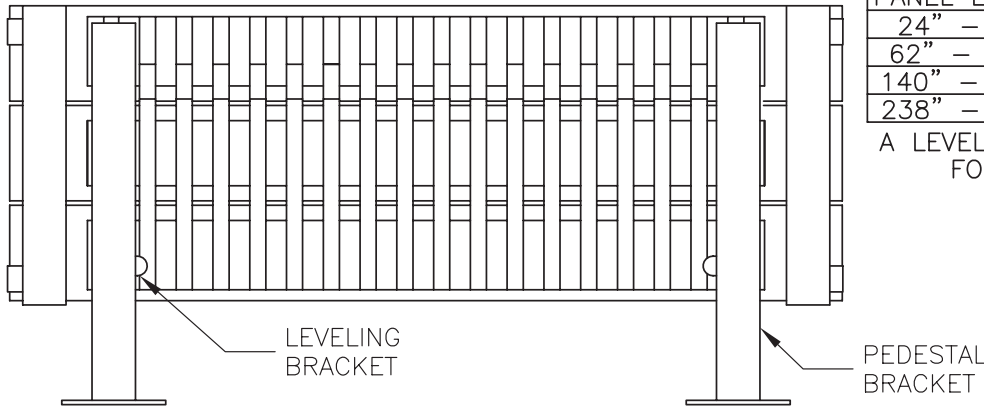
A LEVELING BOLT IS SUPPLIED FOR EACH BRACKET



CAT-75586C

# TYPICAL FREE STANDING PEDESTAL MOUNTED INSTALLATION

## PEDESTAL MOUNTING FREE STANDING FLOOR MOUNT PRF



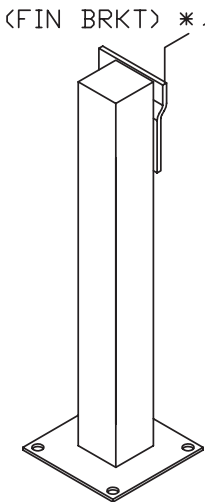
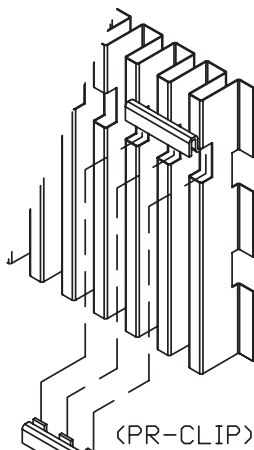
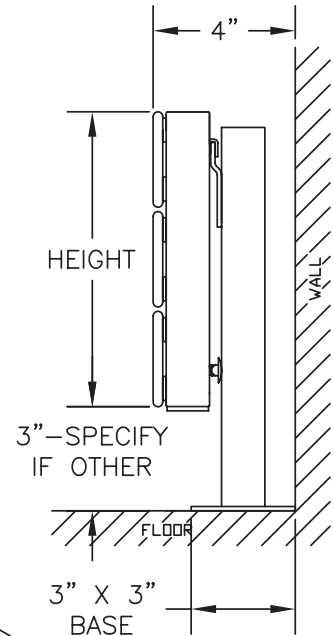
PANEL LENGTH	QTY. OF BRACKETS
24" - 60"	2 PCS
62" - 138"	3 PCS
140" - 236"	4 PCS
238" - 240"	5 PCS

A LEVELING BOLT IS SUPPLIED FOR EACH BRACKET

TYPICAL LEVELING BRACKET INSTALLATION (BACKVIEW)

## FREE STANDING FLOOR MOUNT FOR "PRF" UNITS

PANEL MODEL	HEIGHT
PRF-1	2-3/4"
PRF-2	5-3/4"
PRF-3	8-5/8"
PRF-4	11-1/2"
PRF-5	14-3/8"
PRF-6	17-1/4"
PRF-7	20-1/4"
PRF-8	23-1/8"
PRF-9	26-1/8"
PRF-10	29"



LEVELING BOLT FOR ADJUSTING THE PANEL RADIATOR PLUMB WITH THE PEDESTAL BRACKET

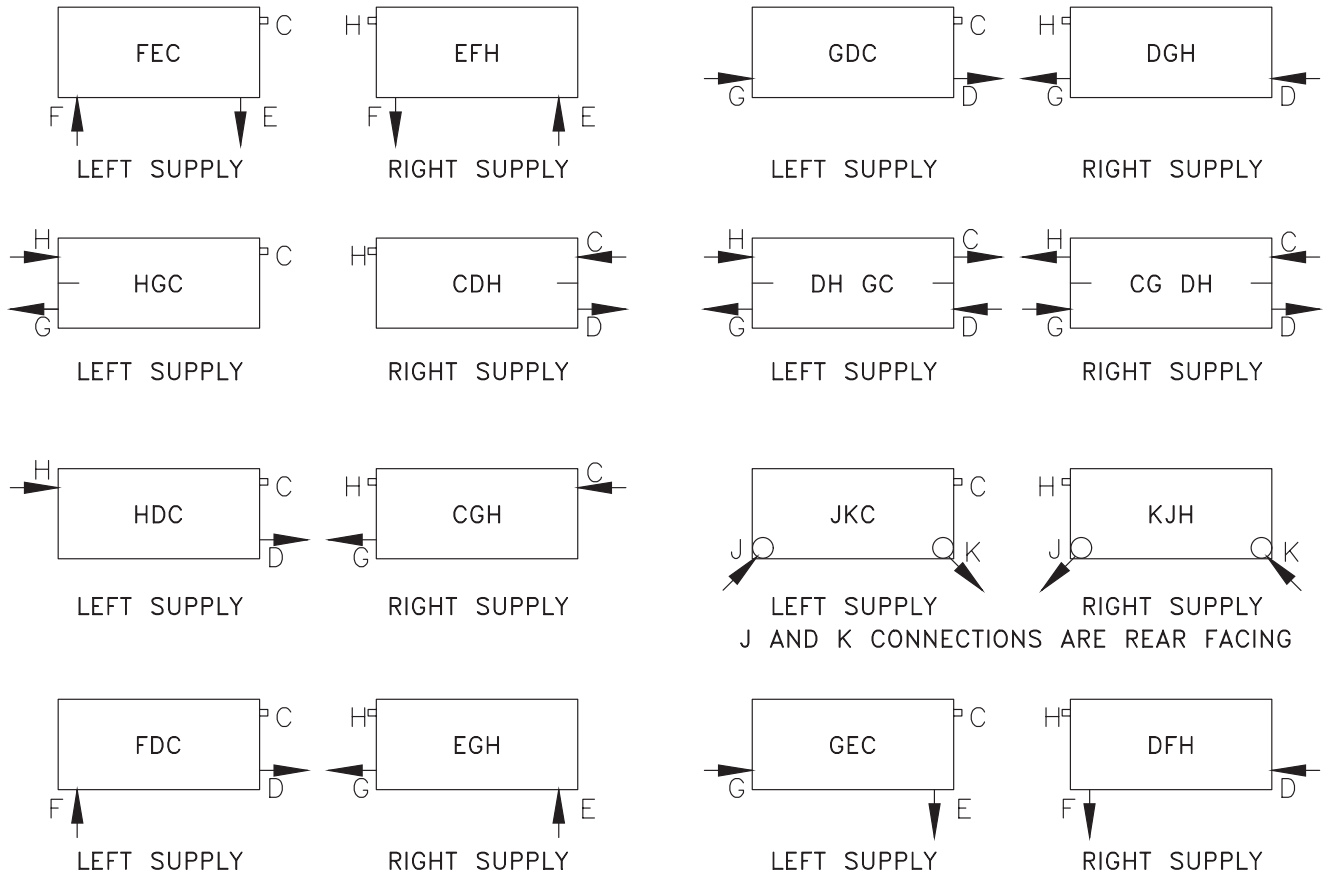
TYPICAL PEDESTAL MOUNTING BRACKET INSTALLATION

\* BRACKET IS FIELD INSTALLED TO POST FOR STABILITY AND STRENGTH(HARDWARE BY OTHERS)

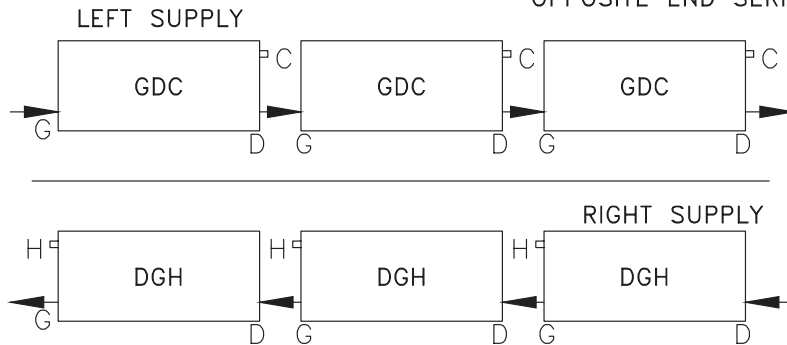
CAT-75588B

# STANDARD PIPING CONNECTION LOCATIONS

## PR, PRF, PRC PIPING OPTIONS

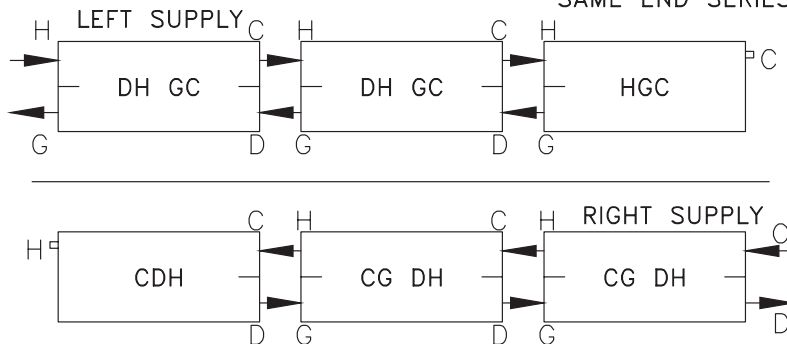


## OPPOSITE END SERIES



- NOTES:
- VENT ON EACH PANEL
  - CAN ELIMINATE COSTLY RISERS
  - LOWER PD THAN SAME END SERIES
  - UP TO 7 RADIATORS (100 FT) IN SERIES OPPOSITE END
  - EXPANSION COMPENSATION PIPING TO BE PROVIDED BY OTHERS

## SAME END SERIES



- NOTES:
- SAME AWT OVER THE ENTIRE SAME END SERIES
  - CAN ELIMINATE COSTLY RISERS
  - HIGHER PD THAN OPPOSITE END SERIES
  - NO MORE THAN 3 RADIATORS IN SERIES SAME END
  - EXPANSION COMPENSATION PIPING TO BE PROVIDED BY OTHERS

## Model PRF

# PANEL RADIATOR SPECIFICATIONS

### Specifications

Provide steel panel radiator elements of lengths and in locations as indicated, and of capacities, style, and having accessories as scheduled. The wall hung heating panel radiation shall be of one-piece all-welded steel construction, consisting of flattened water tubes welded to headers at each end. The radiator may include an optional integral heavy gauge all-welded perforated top grille when specified (for curved radiators the grille is omitted). PRF models to have steel corrugated fins welded to the rear side of the water tubes to increase the convective output of the unit. There shall be no less than 32 fins per foot. Fins shall start within 1" of the headers, and shall be spot-welded three times per tube.

All radiator header pipes are square 0.109" minimum wall thickness. The headers shall include all necessary inlet, outlet and vent connections as required. Standard connection sizes are ½" NPT tapered thread for supply and return piping, and 1/8" for the vent connection. Internal baffling is provided where required for proper water flow. Option 29, ¾" NPT connections are available at an additional cost, when specified.

The radiant heating panels shall be available in lengths from 2'-0" to 20'-0" in two inch even increments without the need for splicing. The panel radiation shall be capable of being mounted to typical stud wall construction without additional blocking or strapping. Appropriate wall mounting brackets shall be provided with the panel radiation. Optional floor mounting pedestal brackets shall be provided at an additional cost when specified. Panel radiation expansion shall not exceed 1/64" per foot of radiation at 215°F. The installer shall provide adequate expansion compensation for each radiator.

### Pressure Ratings:

Pressure ratings for the panel radiators shall be as follows:

LOW (Standard)- .048" minimum wall thickness. Working pressure 56-PSI maximum, Test Pressure-74 PSI maximum

**OR**

MEDIUM (Optional)- .058" minimum wall thickness. Working pressure 85-PSI maximum, Test Pressure-110 PSI maximum

**OR**

HIGH (Optional)- .078" minimum wall thickness. Working pressure 128-PSI maximum, Test Pressure 184 PSI maximum

### Finishes:

The panel radiation shall be cleaned and phosphatized in preparation for the powder coat finish. The radiation is then finish painted with a gloss powder coat finish, for a total paint thickness of 2-3 mils (0.002" - 0.003"). The color shall be selected from Vulcan's standard commercial colors. Optional custom colors shall be available at an additional cost.

### Warranty:

A 5-Year Limited Warranty covers all Vulcan panel radiators.

### Options:

Optional floor mounting post brackets are available at an additional cost with the panel radiators (up to 10 tubes high) when specified.

Ribbed pipe cover trims (up to 10 tubes high), finished to match the radiators shall be provided with the radiation when specified.

Optional integral heavy gauge all-welded perforated top grille is available at an additional cost, when specified.