

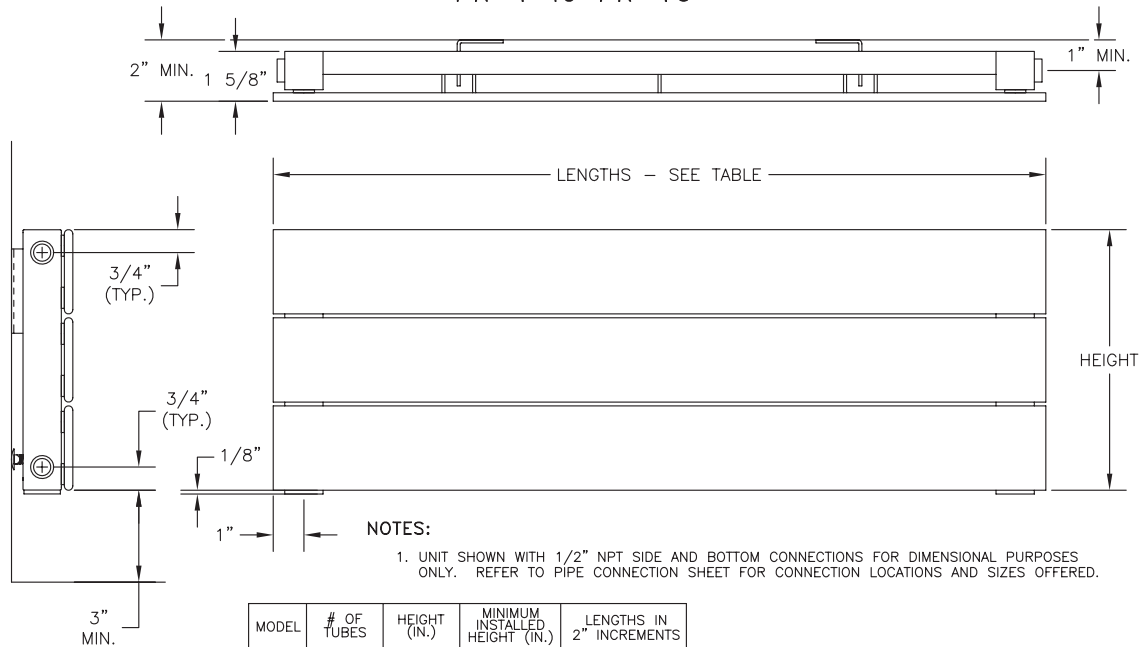
# PANEL RADIATOR

Submittal

VPR-2

## Specification

PR-1 to PR-10



MODEL	# OF TUBES	HEIGHT (IN.)	MINIMUM INSTALLED HEIGHT (IN.)	LENGTHS IN 2" INCREMENTS
PR-1	1	2 3/4	5 3/4	2FT TO 20FT
PR-2	2	5 3/4	8 3/4	2FT TO 19FT
PR-3	3	8 5/8	11 5/8	2FT TO 19FT
PR-4	4	11 1/2	14 1/2	2FT TO 18FT
PR-5	5	14 3/8	17 3/8	2FT TO 18FT
PR-6	6	17 1/4	20 1/4	2FT TO 17FT
PR-7	7	20 1/4	23 1/4	2FT TO 17FT
PR-8	8	23 1/8	26 1/8	2FT TO 16FT
PR-9	9	26 1/8	29 1/8	2FT TO 16FT
PR-10	10	29	32	2FT TO 15FT

CAT-75571A

MODEL TYPE	BTU/FT/HR @ LISTED AWT & 65°F EAT								
	215°F	190°F	180°F	170°F	160°F	150°F	140°F	130°F	120°F
PR 01	231	181	162	144	127	109	93	77	62
PR 02	416	326	292	260	228	197	167	139	112
PR 03	615	483	433	384	337	292	248	206	165
PR 04	811	636	571	507	445	385	327	271	218
PR 05	1012	794	712	632	555	480	408	338	272
PR 06	1219	956	858	761	668	578	491	407	327
PR 07	1429	1122	1006	893	784	678	576	478	384
PR 08	1638	1285	1153	1023	898	777	660	547	440
PR 09	1846	1449	1300	1154	1013	876	744	617	496
PR 10	2057	1614	1448	1285	1128	976	829	688	552

**Vulcan**  
RADIATOR

260 North Elm St., Westfield, MA 01085

(413) 568-9571

www.vulcanrad.com

08/2024

PROJECT: \_\_\_\_\_ DATE: \_\_\_\_\_

LOCATION: \_\_\_\_\_

ARCHITECT: \_\_\_\_\_

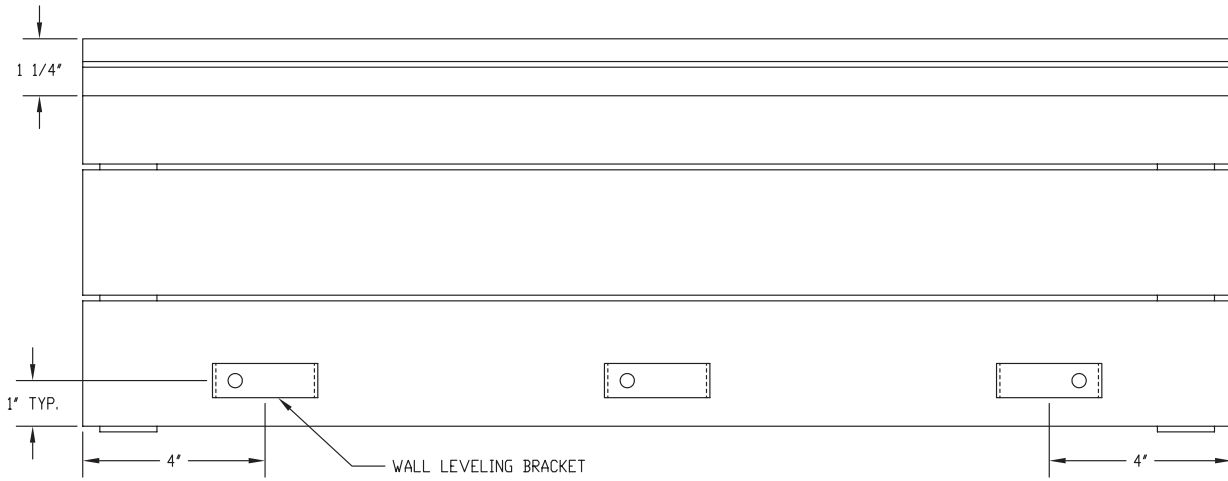
ENGINEER: \_\_\_\_\_

CONTRACTOR: \_\_\_\_\_

PO NUMBER: \_\_\_\_\_

# TYPICAL WALL MOUNTED INSTALLATION

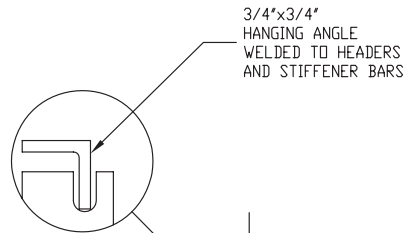
WALL MOUNTING – TYPICAL INSTALLATION  
WALL MOUNTING: PR, PR2, PR2F



TYPICAL LEVELING BRACKET INSTALLATION (BACKVIEW)

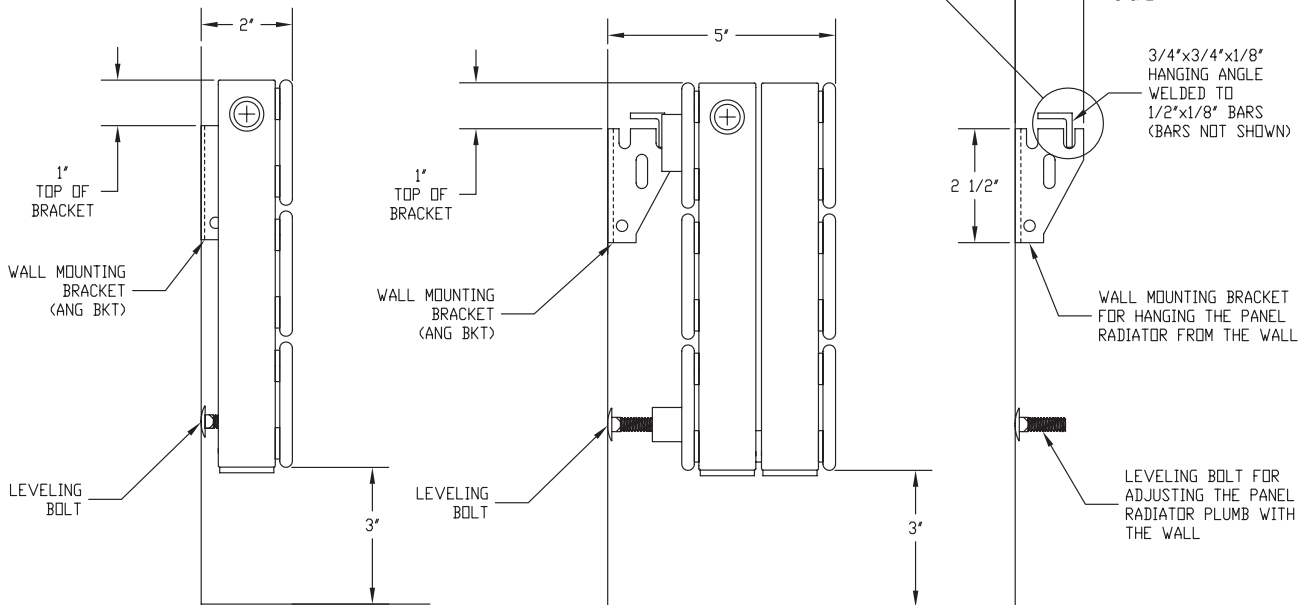
PANEL LENGTH	QTY. OF BRACKETS
24' - 60'	2 PCS
62' - 138'	3 PCS
140' - 236'	4 PCS
238' - 240'	5 PCS

A LEVELING BOLT IS SUPPLIED FOR EACH BRACKET



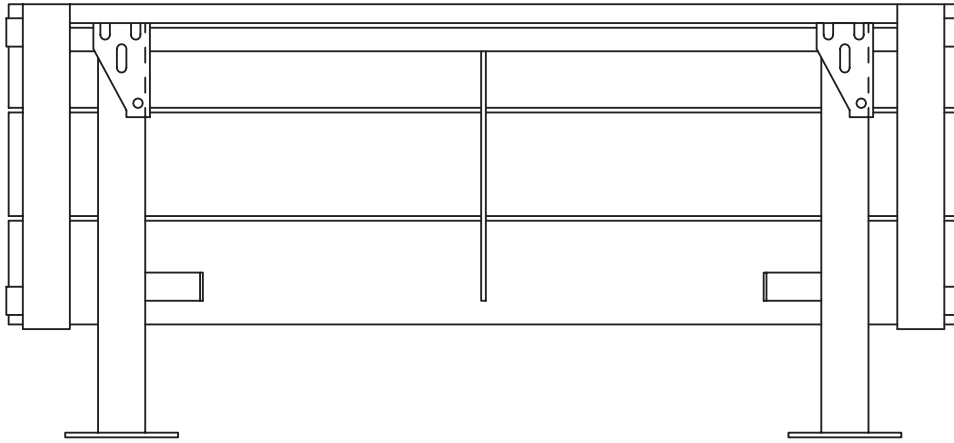
3/4"x3/4"  
HANGING ANGLE  
WELDED TO HEADERS  
AND STIFFENER BARS

## TYPICAL WALL MOUNTING BRACKET INSTALLATION



# TYPICAL FREE STANDING PEDESTAL MOUNTED INSTALLATION

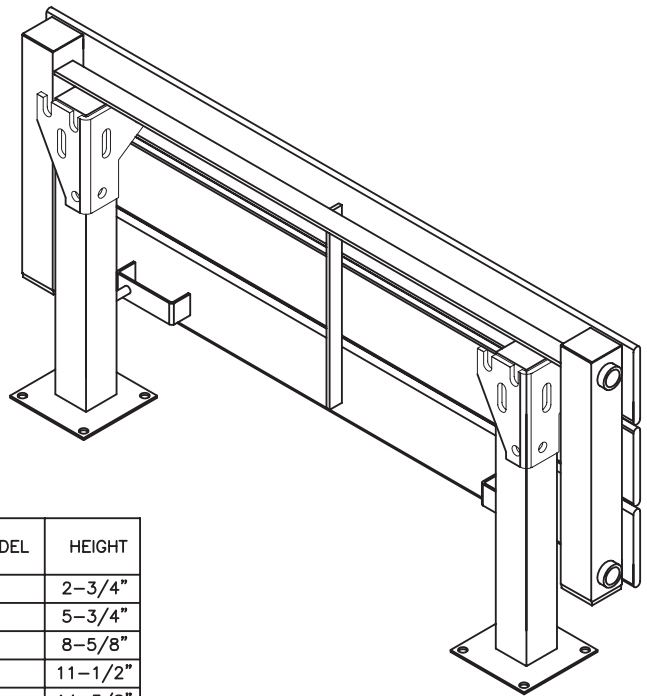
## PEDESTAL MOUNTING FREE STANDING FLOOR MOUNT PR



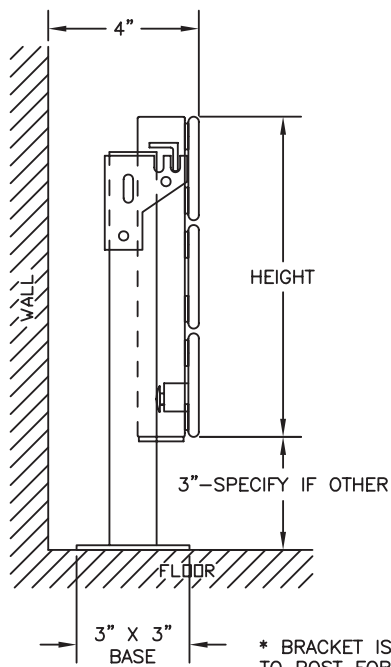
### TYPICAL LEVELING BRACKET INSTALLATION (BACKVIEW)

PANEL LENGTH	QTY. OF BRACKETS
24" - 60"	2 PCS
62" - 138"	3 PCS
140" - 236"	4 PCS
238" - 240"	5 PCS

A LEVELING BOLT IS SUPPLIED FOR EACH BRACKET



### FREE STANDING FLOOR MOUNT FOR "PR" UNITS



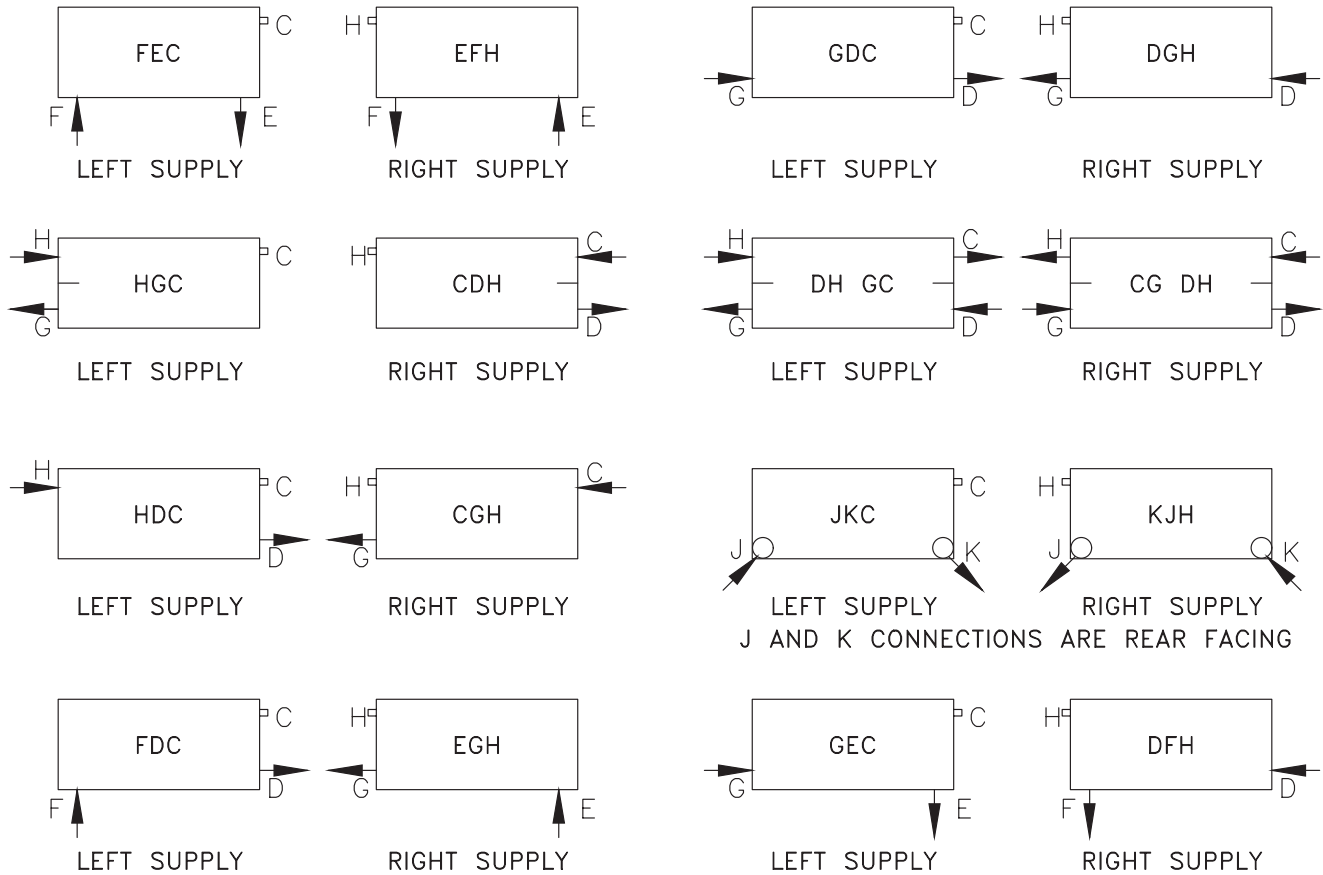
PANEL MODEL	HEIGHT
PR-1	2-3/4"
PR-2	5-3/4"
PR-3	8-5/8"
PR-4	11-1/2"
PR-5	14-3/8"
PR-6	17-1/4"
PR-7	20-1/4"
PR-8	23-1/8"
PR-9	26-1/8"
PR-10	29"

\* BRACKET IS FIELD INSTALLED (HARDWARE BY OTHERS)  
TO POST FOR STABILITY AND STRENGTH

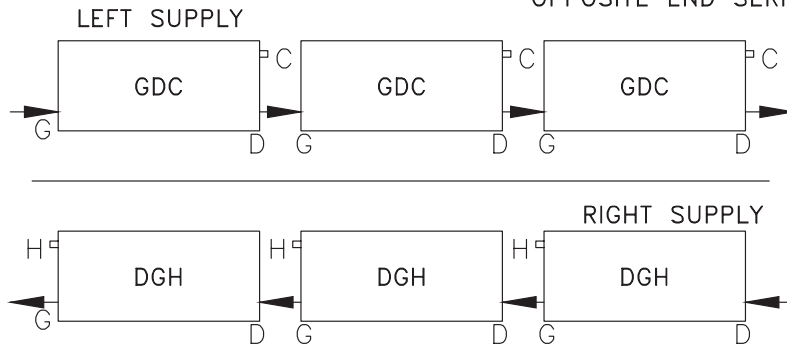
CAT-75587B

# STANDARD PIPING CONNECTION LOCATIONS

## PR, PRF, PRC PIPING OPTIONS

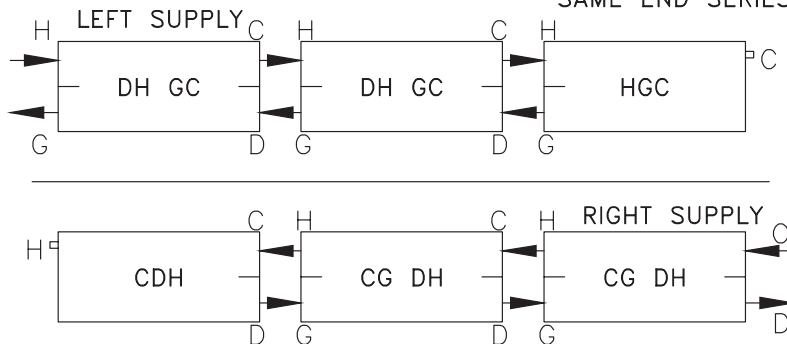


## OPPOSITE END SERIES



- NOTES:
- VENT ON EACH PANEL
  - CAN ELIMINATE COSTLY RISERS
  - LOWER PD THAN SAME END SERIES
  - UP TO 7 RADIATORS (100 FT) IN SERIES OPPOSITE END
  - EXPANSION COMPENSATION PIPING TO BE PROVIDED BY OTHERS

## SAME END SERIES



- NOTES:
- SAME AWT OVER THE ENTIRE SAME END SERIES
  - CAN ELIMINATE COSTLY RISERS
  - HIGHER PD THAN OPPOSITE END SERIES
  - NO MORE THAN 3 RADIATORS IN SERIES SAME END
  - EXPANSION COMPENSATION PIPING TO BE PROVIDED BY OTHERS

## Model PR

# PANEL RADIATOR SPECIFICATIONS

### Specifications

Provide steel panel radiator elements of lengths and in locations as indicated, and of capacities, style, and having accessories as scheduled. The wall hung heating panel radiation shall be of one-piece all-welded steel construction, consisting of flattened water tubes welded to headers at each end. The radiator may include an optional integral heavy gauge all-welded perforated top grille, when specified (for curved radiators the grille is omitted).

All radiator header pipes are square 0.109" minimum wall thickness. The headers shall include all necessary inlet, outlet and vent connections as required. Standard connection sizes are ½" NPT tapered thread for supply and return piping, and 1/8" for the vent connection. Internal baffling is provided where required for proper water flow. Option 29, ¾" NPT connections are available at an additional cost, when specified.

The radiant heating panels shall be available in lengths from 2'-0" to 20'-0" in two inch even increments without the need for splicing. The panel radiation shall be capable of being mounted to typical stud wall construction without additional blocking or strapping. Appropriate wall mounting brackets will be provided with the panel radiators. Optional floor post mounting brackets will be provided with the panel radiators when specified. Panel radiation expansion shall not exceed 1/64" per foot of radiation at 215°F. The installer shall provide adequate expansion compensation for each radiator.

### Pressure Ratings:

Pressure ratings for the panel radiators shall be as follows:

LOW (Standard)- .048" minimum wall thickness. Working pressure 56-PSI maximum, Test Pressure-74 PSI maximum

**OR**

HIGH (Optional)- .078" minimum wall thickness. Working pressure 128-PSI maximum, Test Pressure 184 PSI maximum

### Finishes:

The panel radiation shall be cleaned and phosphatized in preparation for the powder coat finish. The radiation is then finish painted with a gloss powder coat finish, for a total paint thickness of 2-3 mils (0.002" - 0.003"). The color shall be selected from the standard color chart. Optional custom colors shall be available at and additional cost.

### Options:

Optional floor mounting post brackets are available at an additional cost with the panel radiators (up to 10 tubes high) when specified.

Ribbed pipe cover trims (up to 10 tubes high), finished to match the radiators shall be provided with the radiation when specified.

Optional integral heavy gauge all-welded perforated top grille is available at an additional cost, when specified.