

FIG. 1

INSERT BRACKET INTO TOP OF BACKPLATE AT "A", THEN WHILE PRESSING OUT AT "B" PUSH DOWN ON BRACKET AT "C" TO SNAP INTO PLACE. (REPEAT FOR ALL BRACKETS).

FIG. 2

FOR PROPER QUANTITY & SPACING, POSITION BRACKETS ON BACKPLATE AS FOLLOWS;

7' & 8' LENGTHS (4 BRACKETS) ONE 6" FROM EACH END & OTHERS EQUALLY SPACED BETWEEN.

5' & 6' LENGTHS (3 BRACKETS) ONE 6" FROM EACH END & ONE AT CENTER.

2', 3' & 4' LENGTHS (2 BRACKETS) ONE 6" FROM EACH END.

FIG. 3

FASTEN "BACKPLATE & BRACKETS ASSEMBLY" FIRMLY TO WALL. FOR ADDITIONAL SUPPORT FASTEN THRU HOLES IN BRACKETS WHERE POSSIBLE.

FIG. 4

SNAP A "CRADLE" ONTO THE ELEMENT ALIGNING ONE WITH EACH BRACKET CENTER LINE.

FIG. 5

PLACE "ELEMENT" WITH "CRADLES" AT BOTTOM ONTO "BRACKETS". THEN COMPLETE PIPING!

FIG. 6

ATTACH "VANE DAMPER" AS SHOWN.

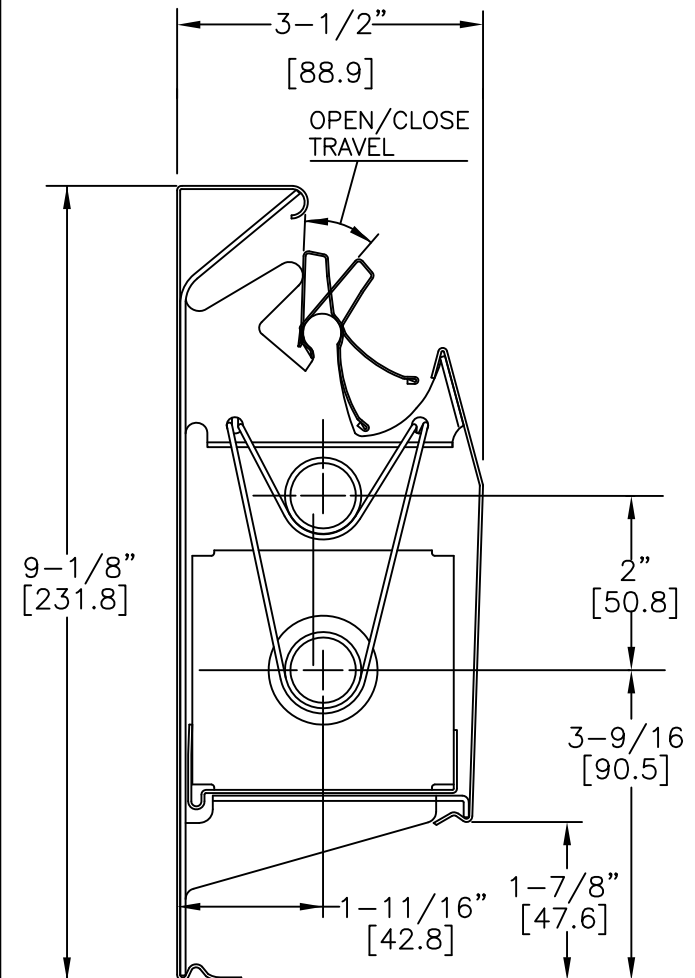
FIG. 7

CHECK THE OPERATION OF THE "VANE DAMPER".

FIG. 8

NEXT, ATTACH "ENCLOSURE FRONT PANEL" (AFTER PIPING IS COMPLETE). HOOK BOTTOM OF "FRONT PANEL" TO BOTTOM OF "BRACKETS", THEN PUSH TOP OVER THE TOP OF THE "BRACKETS" TO SNAP IN PLACE. (SEE "DIMENSIONAL END VIEW").

FINALLY INSTALL PERTINENT ACCESSORIES AS REQUIRED.



DIMENSIONAL
END VIEW

CAT 49544-1H-A

CAUTION: BE SURE TO FILL SYSTEM WITH WATER, PREFERABLY HOT, AFTER PIPING TO AVOID FLUX ACID POSSIBLY ATTACKING COPPER TUBE AND CAUSING A LEAK.

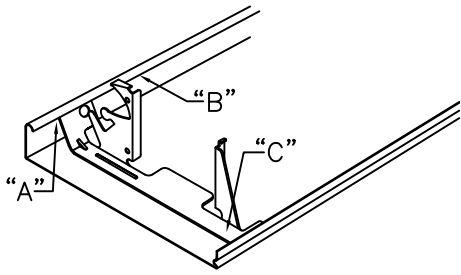


Fig. 1

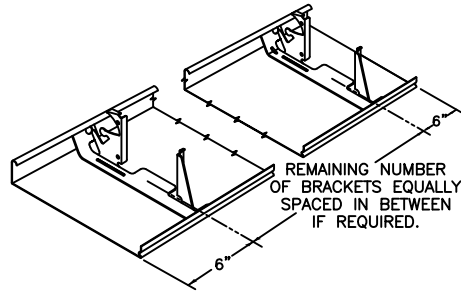


Fig. 2

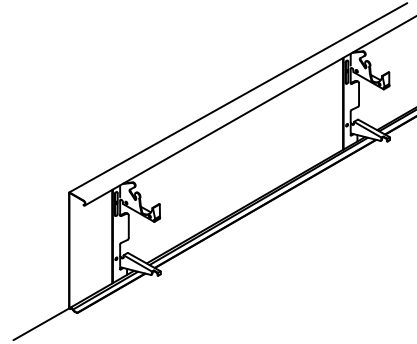


Fig. 3

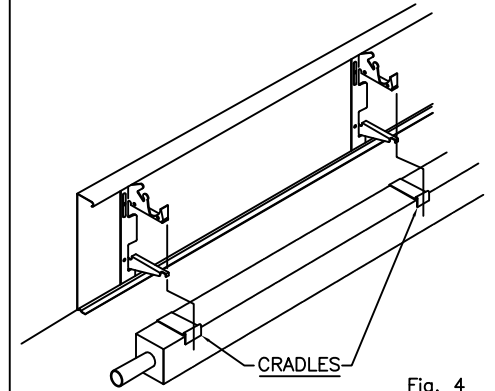


Fig. 4

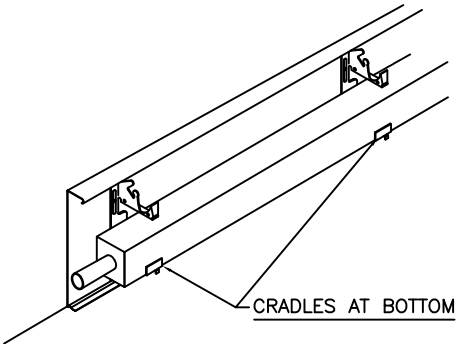


Fig. 5

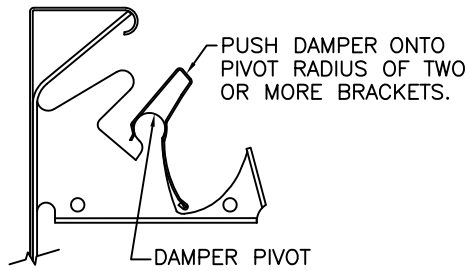


Fig. 6

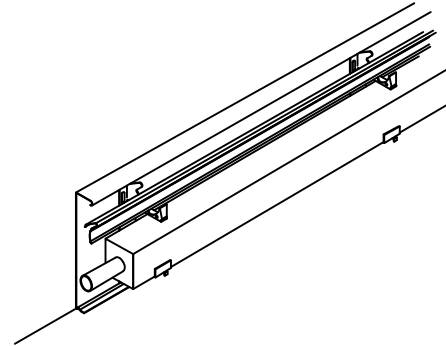


Fig. 7

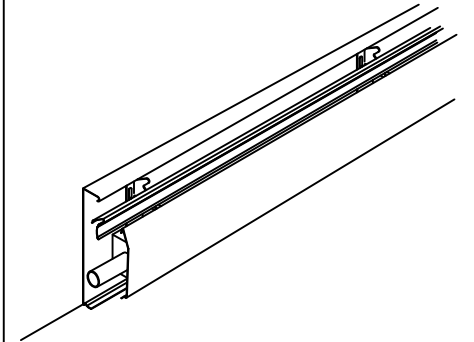


Fig. 8