

# LC-210

## Submittal

Style "LC-210"  
Light Commercial  
Slope Top Enclosure  
Copper/Aluminum & Steel Ratings

# Specification

### ENCLOSURE:

- STYLE : LC-210  
 OUTLET: Slope Louvered  
 Pencil Proof  
 LENGTHS: 2'0" thru 8'0" in 6" Increments  
 MAT'L  18 Ga. CRS (Std)  
 16 Ga. CRS (Opt'l)  
 FINISH:  Baked Powder (Std)  
 Baked Metallic (Opt'l)

### ACCESSORIES:

Overlapping Type  
 All accessories return to the wall at the bottom  
 and have pre-punched holes for fastening to  
 the wall.

### ELEMENT:

- TYPE:  Cu/AL (Mechanically Expanded)  
 LENGTHS: 2'0" thru 8'0" in 1" Increments.  
 One End Flared (Std)  
 TYPE:  IPS Steel (Mechanically  
 Expanded)  
 LENGTHS: 2'0" thru 12'0" in 1" Increments.  
 NPT Thread both Ends (Std)  
 Beveled Ends for Field Weld  
 (Opt'l)

See Catalog for Working  
 Pressures.

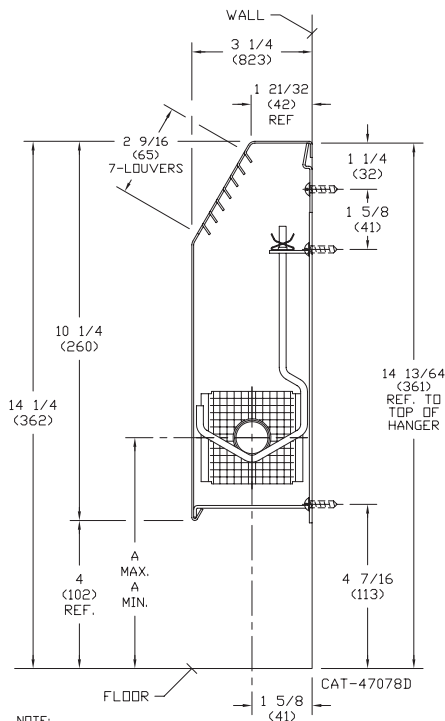
### BACKPLATE:

- TYPE:  Partial Backplate B-610  
 LENGTHS: 8'0" Only  
 MATERIAL:  20 Ga. Galvannealed (Std)  
 18 Ga. Galvannealed (Opt'l)  
 TYPE:  Full Ht. B/P (Opt'l)  
 LENGTHS: 2'0" thru 8'0" in 6" Increments  
 MATERIAL:  20 Ga. Galvannealed (Std)  
 18 Ga. Galvannealed (Opt'l)

**AIR SEAL:**  1/8" x 3/8" Closed Cell (Opt'l)

**BRACKETS:**  14 Ga. Galvannealed Steel  
 One Piece Brkt

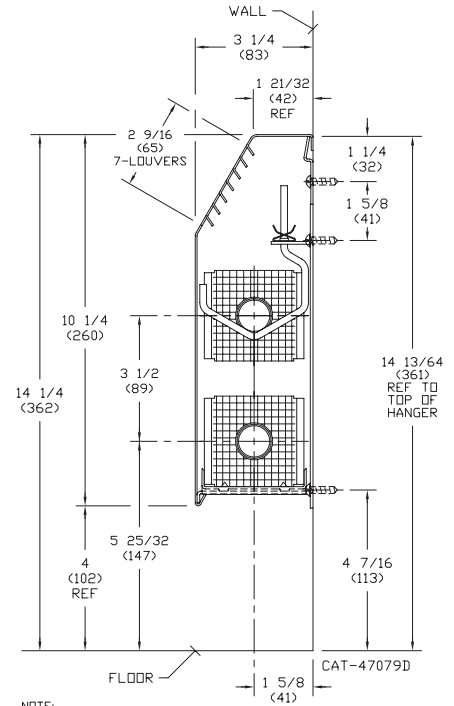
### LC-210 1-TIER



NOTE:  
 1. DIMENSIONS IN " " ARE  
 SHOWN IN MILLIMETERS.

CAT NO.	A MIN.	A MAX.
VR02	5-15/16 (150.8)	8-7/16 (214.3)
VR03	6-1/6 (154)	8-5/8 (219.1)
VR04	6-9/16 (166.7)	8-15/16 (227)
VR05	6-9/16 (166.7)	9-1/8 (231.8)
VR06	7-1/8 (181)	8-11/16 (220.7)
VR07		
VR08	6-11/16 (169.9)	9-1/4 (235)
VR09	7-3/16 (182.6)	8-11/16 (220.7)
VR10		
VR11	6-11/16 (169.9)	9-3/16 (233.4)
VR12	7-3/16 (182.6)	8-11/16 (220.7)
VR13		

### LC-210 2-TIER



NOTE:  
 1. DIMENSIONS IN " " ARE  
 SHOWN IN MILLIMETERS.

Dimensions are in inches. Dimensions in parentheses are in millimeters.

**Vulcan**  
 RADIATOR

260 North Elm St., Westfield, MA 01085  
 (413) 568-9571 Fax: (413) 564-5661

www.vulcanrad.com

9/2017

PROJECT: \_\_\_\_\_ DATE: \_\_\_\_\_

LOCATION: \_\_\_\_\_

ARCHITECT: \_\_\_\_\_

ENGINEER: \_\_\_\_\_

CONTRACTOR: \_\_\_\_\_

PO NUMBER: \_\_\_\_\_

# RATINGS LC-210



APPROVED RATINGS®

STEEL ELEMENT						STEAM 215° FACTOR 1.00	HOT WATER (AVG.)					
I.P.S. SIZE	CATALOG DESIGNATION	FIN SIZE IN INCHES	FIN/FT	FIN THICKNESS	MTG. HEIGHT IN INCHES		200°	190°	180°	170°	160°	150°
							FACTOR					
						0.86	0.78	0.69	0.61	0.53	0.45	
1"	VR11	2 3/4 x 3 3/4	40	0.024	14 1/4	910	785	710	630	555	485	410
1"	VR12	2 3/4 x 5	40	0.024	14 1/4	<b>910</b>	<b>785</b>	<b>710</b>	<b>630</b>	<b>555</b>	<b>485</b>	<b>410</b>
1 1/4"	VR13	2 3/4 x 5	40	0.024	14 1/4	930	800	725	625	570	495	420

COPPER/ALUMINUM ELEMENT						STEAM 215° FACTOR 1.00	HOT WATER (AVG.)					
TUBE SIZE	CATALOG DESIGNATION	FIN SIZE IN INCHES	FIN/FT	FIN THICKNESS	MTG. HEIGHT IN INCHES		200°	190°	180°	170°	160°	150°
							FACTOR					
						0.86	0.78	0.69	0.61	0.53	0.45	
3/4"	VR02	2 3/4 x 2 1/2	60	0.010	14 1/4	1140	980	890	785	695	605	515
3/4"	VR04	2 3/4 x 3 3/4	50	0.011	14 1/4	<b>1170</b>	<b>1010</b>	<b>915</b>	<b>810</b>	<b>715</b>	<b>620</b>	<b>530</b>
1"	VR03	2 3/4 x 2 1/2	55	0.011	14 1/4	1090	935	850	755	665	575	490
1"	VR05	2 3/4 x 3 3/4	50	0.011	14 1/4	1130	979	880	780	690	600	510
1"	VR06	2 3/4 x 5	40	0.020	14 1/4	1200	1030	935	830	730	630	540
1"	VR07	2 3/4 x 5	50	0.020	14 1/4	<b>1210</b>	<b>1040</b>	<b>945</b>	<b>835</b>	<b>740</b>	<b>645</b>	<b>545</b>
1 1/4"	VR08	2 3/4 x 3 3/4	50	0.020	14 1/4	1150	990	895	795	700	610	515
1 1/4"	VR09	2 3/4 x 5	40	0.020	14 1/4	1150	990	895	795	700	610	515
1 1/4"	VR10	2 3/4 x 5	50	0.020	14 1/4	<b>1230</b>	<b>1060</b>	<b>960</b>	<b>850</b>	<b>750</b>	<b>655</b>	<b>555</b>

## RATING BTU/H WITH (2) TIER ELEMENT 3 1/2" CENTERED

COPPER/ALUMINUM ELEMENT						STEAM 215° FACTOR 1.00	HOT WATER (AVG.)					
TUBE SIZE	CATALOG DESIGNATION	FIN SIZE IN INCHES	FIN/FT	FIN THICKNESS	MTG. HEIGHT IN INCHES		200°	190°	180°	170°	160°	150°
							FACTOR					
						0.86	0.78	0.69	0.61	0.53	0.45	
3/4"	VR02	2 3/4 x 2 1/2	60	0.011	14 1/4	1560	1340	1215	1075	950	825	700
1"	VR03	2 3/4 x 2 1/2	55	0.011	14 1/4	1600	1375	1250	1105	975	845	720