

COMMERCIAL TUBULAR DIRECT SPARK, GAS-FIRED EQUIPMENT XF, XC, TF, TC, SF, SC, GF, TD SERIES REPLACEMENT PARTS CATALOG

INDEX	PAGE
WARRANTY INFORMATION - RETURN GOODS.....	2
XF SERIES UNIT NUMBER DESCRIPTION	3
XF 100-400 MBH REPLACEMENT PARTS	4-7
XC SERIES UNIT NUMBER DESCRIPTION	8
XC 100-400 MBH REPLACEMENT PARTS.....	9-13
TF/GF SERIES UNIT NUMBER DESCRIPTION	14
TC/SF/SC SERIES UNIT NUMBER DESCRIPTION	15
TF/GF 100-400 MBH REPLACEMENT PARTS	16-19
SF 100-400 MBH REPLACEMENT PARTS	20-23
TC/SC 100-400 MBH REPLACEMENT PARTS	24-29
BLOWER MOTORS	30
MAGNETIC STARTER COMPONENTS	31
TD SERIES UNIT NUMBER DESCRIPTION	32
TD 100/400 MBH REPLACEMENT PARTS	33-35
GAS CONTROL OPTIONS [GC]: 3-7.....	36
FIELD/FACTORY INSTALLED ACCESSORIES AND MISC.....	37
CONVERSION KITS & TRANSFORMERS.....	38
TERMS.....	39

IMPORTANT
WHEN ORDERING REPLACEMENT PARTS,
PLEASE SPECIFY MODEL NO. AND SERIAL NO.



260 NORTH ELM ST. WESTFIELD, MA 01085
(413) 564-5540 • FAX: (413) 562-5311
www.sterlinghvac.com



IMPORTANT WARRANTY INFORMATION

If you are ordering a replacement part for a unit which you believe to be under warranty, the process is as follows:

- Provide Sterling with a replacement purchase order for the item along with the model and serial number of the unit which experienced failure.
- Complete a Return Goods Authorization (R.G.A.) request form and submit with replacement purchase order. Complete description of failure is required; “defective” is not acceptable.
- Your replacement purchase order will be entered and an R.G.A., with instructions on how and where to send the defective parts, will be emailed to the email address listed on the R.G.A. request form submitted.
- Your replacement parts order will ship and invoice. The invoice will list the R.G.A number and state: “an R.G.A. has been issued.”
- Returned goods must ship back within 30 days from date of R.G.A. If we do not receive the parts within 30 days, the RGA will be voided. Parts returned and found to be valid under warranty will be credited for parts only. If our inspection reveals that the parts returned are in a non-warranty condition, no credit will be issued. Freight is not covered under warranty.

In order to ensure the orderly processing of your warranty claim, it is **MANDATORY** that certain paper work accompany any and all goods returned to Sterling. It is also mandatory that goods be sent to the proper location.

In order to ensure proper handling of these goods, we insist that under all circumstances we must formally authorize the return of material to our various facilities. Any material returned without authorization will not be accepted.

In order to ensure that your properly authorized returns are accepted at our plant, we ask that you clearly mark any and all shipping papers with an R.G.A. number; we will not accept shipments that do not clearly show R.G.A. number on the outside of the box or crate!

**All returns to be shipped Freight Prepaid.
Collect Shipments will not be accepted.**

CONSULT OUR CUSTOMER SERVICE DEPT. FOR ANY REPLACEMENT
PARTS NOT LISTED IN THIS PUBLICATION. LIMITED AVAILABILITY ON
CERTAIN OBSOLETE EQUIPMENT.

TEL. 413-564-5540 FAX# 413-562-5311
EMAIL: custservice@sterlinghvac.com

XF SERIES

CONVERTIBLE VENTING TYPE

TUBULAR PROPELLER UNIT HEATERS

UNIT NUMBER DESCRIPTION

<i>Digit</i>	T	X	X	X	-	1	2	3	4	5	6	7	8	9	10	11	12	13	14	+	
<i>Item</i>	Prefix					UT		CA			FT	FM	GT	AL	GC	SV	MT	MS	AS		
	<small>(Internal Use Only)</small>																				

1,2 - Unit Type [UT]

XF - Convertible Venting, Tubular Propeller

3,4,5 - Capacity [CA]

- 100 - 100,000 BTU/HR
- 125 - 125,000 BTU/HR
- 150 - 150,000 BTU/HR
- 175 - 175,000 BTU/HR
- 200 - 200,000 BTU/HR
- 250 - 250,000 BTU/HR
- 300 - 300,000 BTU/HR
- 350 - 350,000 BTU/HR
- 400 - 400,000 BTU/HR

6 - Furnace Type [FT]

A - Right Hand Access

7 - Heat Exchanger (Furnace) Material [FM]

- 1 - Standard (Aluminized) Steel
- 2 - 409 Stainless Steel

8 - Gas Type [GT]

- N - Natural Gas
- P - Propane Gas (LP)

9 - Altitude [AL]

- S - 0-4,999 ft.
- T - 5,000-11,999 ft.

Note: Installations over 2,000 ft. require gas input deration in the field. Refer to unit installation instructions.

10 - Direct Spark Gas Control [GC]

- 1 - Single Stage
- 2 - Two Stage
- 3 - Electronic Modulation w/Room Sensing
- 6 - Electronic Modulation w/External 4-20 mA Input
- 7 - Electronic Modulation w/External 0-10 VDC Input

11 - Supply Voltage [SV]

- 1 - 115/1/60
- 2 - 208/1/60
- 3 - 230/1/60
- 4 - 208/3/60
- 5 - 230/3/60
- 6 - 460/3/60
- 7 - 575/3/60
- Z - Special

Note: Supply Voltages [SV] 2-7 include step down transformer. Transformer is field mounted on propeller unit types.

12 - Motor Type [MT]

- 1 - Open Drip Proof (Standard)
- 2 - Totally Enclosed

13 - Blower Motor Sizes [MS]

0 - None/Not Applicable

14+ - Accessories [AS]

FACTORY INSTALLED

- M6 - OSHA Type Fan Guard
- P4 - Terminal Block Wiring
- P6 - Summer/Winter Switch
- S3 - 409 Stainless Steel Flue Collector
- S5 - 304L Stainless Steel Burners

† FIELD INSTALLED (11AS-_____)

† All Field Installed Accessories are to be entered as a separate line item using the catalog number which places "11AS" as a prefix. i.e. G3 becomes 11AS-G3.

A7 - High Pressure Regulator

- A7-1/2-1 - Regulator for 0.5-10 PSI
- A7-3/8-1 - Regulator for 10-20 PSI
- A7-5/16-1 - Regulator for 20-35 PSI

G1 - 1-Stage Mercury Free Thermostat (Round)

- G2 - 1-Stage Mercury Free Thermostat w/Guard Kit
- G3 - 1-Stage Mercury Free Thermostat w/Fan Switch
- G5 - 2-Stage Mercury Free Thermostat w/Fan Switch
- G6 - Locking Thermostat Cover
- G9 - 1-Stage Mercury Free Heating Only Thermostat
- GW - WiFi Thermostat TH8321WF1001/U

H5 - Low Ambient Control

M2-2 - Vent Caps (5") (Unit Capacity 100-250)

M2-3 - Vent Caps (6") (Unit Capacity 300-400)

M7-TUB - 2 to 4 Point Suspension Kit

P5 - 24V SPST Relay-Specify Purpose

Q1 - Y-Splitter Nozzle

X2 - 30 Degree Downturn Nozzle

X3 - 60 Degree Downturn Nozzle

X4 - 90 Degree Downturn Nozzle

X5 - Vertical Louver Kit

X7-H5 - Horiz. Combustion Air Inlet Kit, 5 inch (Unit Capacity 100-250)

X7-H6 - Horiz. Combustion Air Inlet Kit, 6 inch (Unit Capacity 300-400)

X7-V5 - Vert. Combustion Air Inlet Kit, 5 inch (Unit Capacity 100-250)

X7-V6 - Vert. Combustion Air Inlet Kit, 6 inch (Unit Capacity 300-400)

XF SERIES 100-400 MBH REPLACEMENT PARTS

Figure 1 – Front View

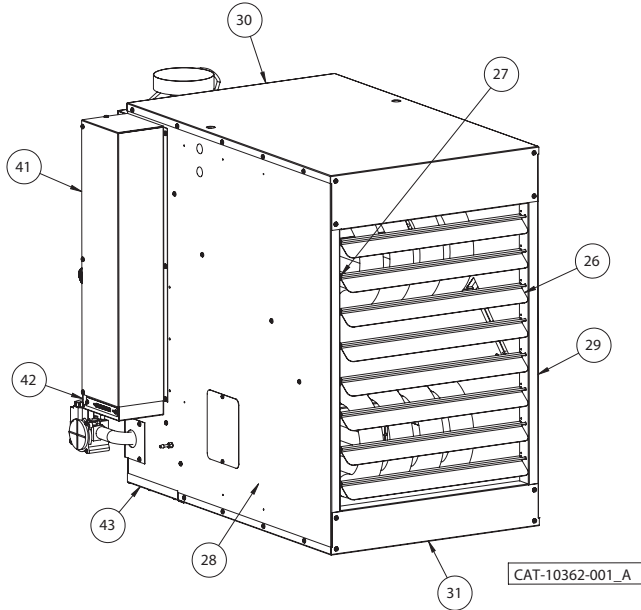


Figure 2 – Rear View

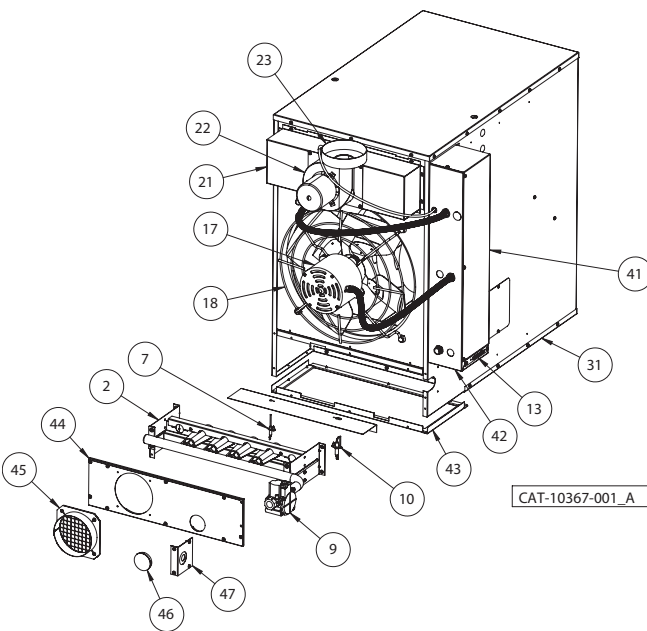
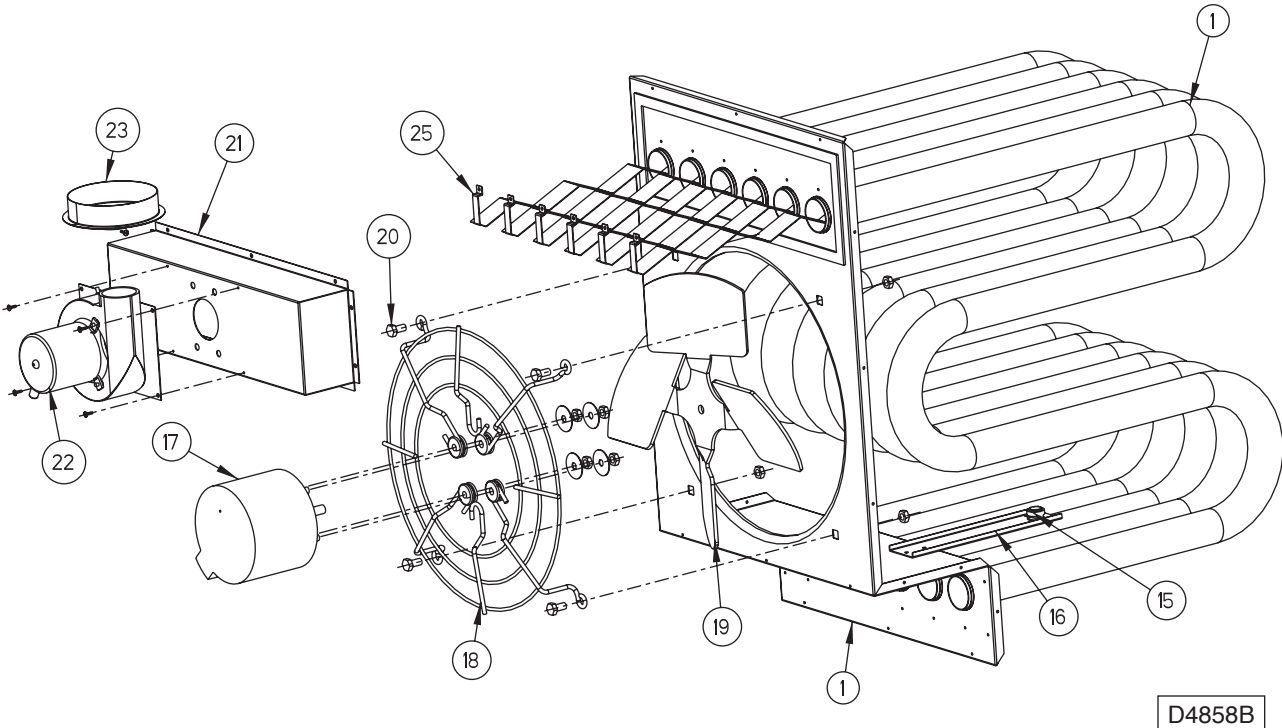


Figure 3 – Exploded View - Less Jacketry and Controls



XF SERIES 100-400 MBH REPLACEMENT PARTS

Figure 4 – Vestibule Panel/Tube Assembly
(Heat Exchanger)

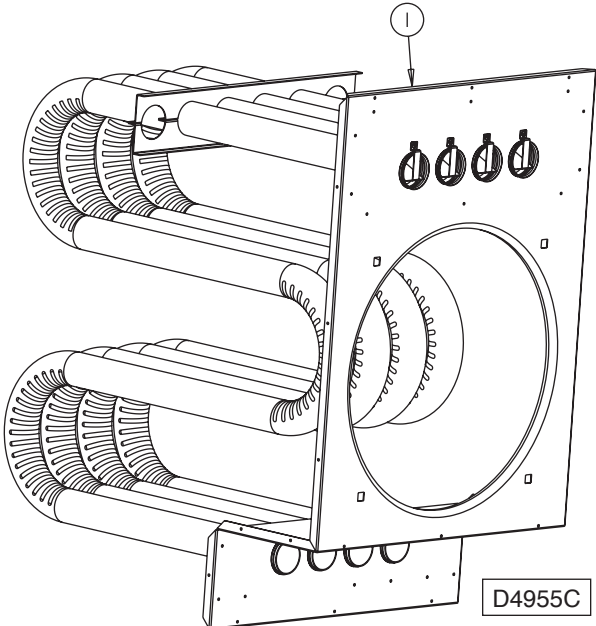


Figure 5 – Electrical Control Panel

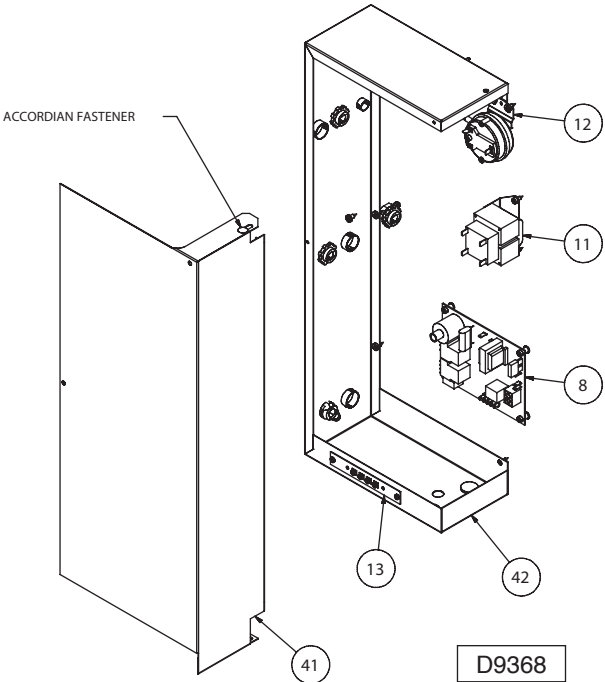
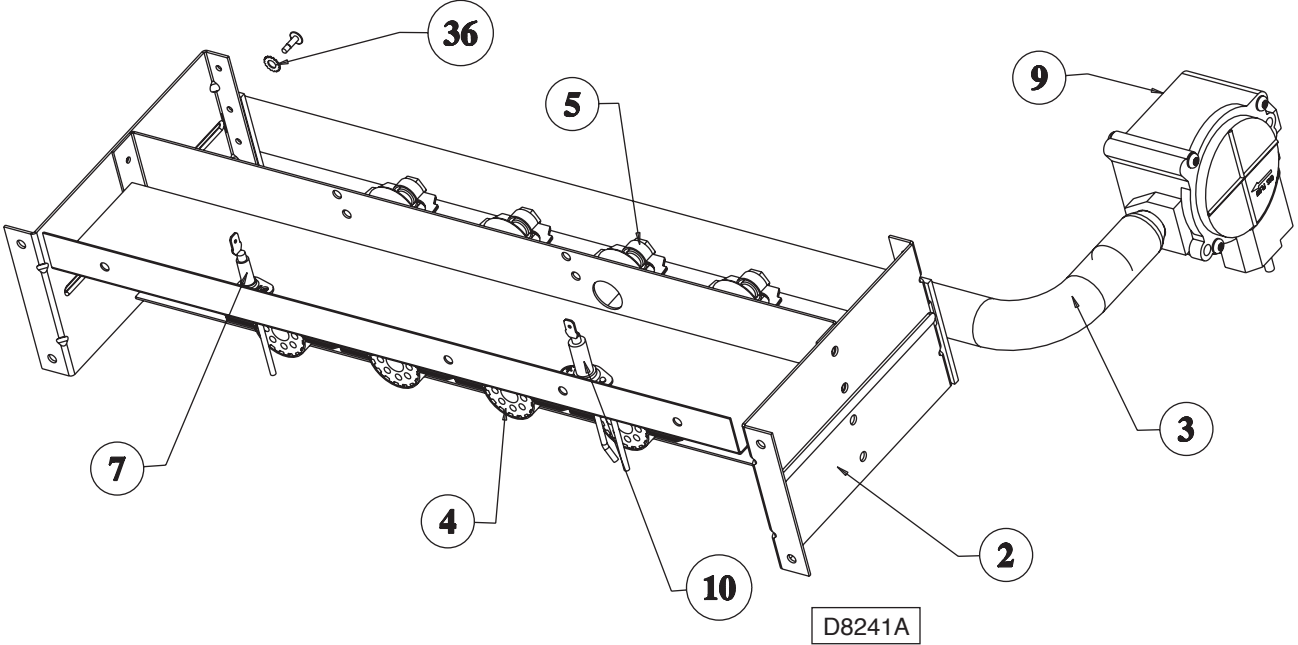


Figure 6 – Manifold Burner Assembly



XF SERIES 100-400 MBH REPLACEMENT PARTS

ITEM NO.	UNIT CAPACITY (MBH)		100	125
	NO. OF TUBES, TURBULATORS, BURNERS, ORIFICES REQ'D PER MODEL		4	5
	ITEM DESCRIPTION		PART NO.	
1	Vestibule Panel/Tube Ass'y (Heat Exchanger) ¹	Aluminized Steel	11507R04567-004	11507R04568-004
		409 Stainless Steel	11507R04567-104	11507R04568-104
2	Manifold Bracket Sub-Ass'y		11261R04965-004	
3	Manifold		11J37R04277	11J37R04278
4	Inshot Burner	Aluminized Steel	11J37R03935	11J37R03935
		304L Stainless Steel	11J37R06754	11J37R06754
5	Standard Orifice	Natural Gas (#42)	11J36R04694-028	11J36R04694-028
		Propane (LP) Gas (#53)	11512R08532-013	11512R08532-013
7	Flame Sensor		11J38R06890-003	
8	Control Board		11J28R06881	
9	Direct Spark Gas Valve, Single Stage	Natural Gas	11J28R06892-001	
		Propane (LP) Gas	11J28R06892-002	
	Direct Spark Gas Valve, Two Stage	Natural Gas	11J28R06894-001	
		Propane (LP) Gas	11J28R06894-002	
10	Spark Ignitor		11J38R06891-001	
11	Transformer, 50 VA, 115/24		11J14R03245-012	
12	Air Pressure Switch	Std Alt (0-4,999 ft)	11J11R06778-003	
		High Alt (5,000 ft+)	11J11R06778-005	
13	Terminal Block Plate		11J11R04609	
15	High Limit Switch [Qty. Req'd per Capacity]		11J11R00306-002 [1]	
16	High Limit Bracket [Qty. Req'd per Capacity]		11252R04469 [1]	
17	Fan Motor [Qty. Req'd per Capacity]	Open Drip Proof	11J31R04092-002 [1]	11J31R04093-002 [1]
		Totally Enclosed	11J31R03086 [1]	11J31R01694 [1]
18	Standard Fan Guard [Qty. Req'd per Capacity] ²		11253R01873-001 [1]	
	OSHA Fan Guard [Qty. Req'd per Capacity] incl. Motor Mounting Plate		11M32R06163 [1]	
19	Fan Blade [Qty. Req'd per Capacity]		11J34R06999-104 [1]	
20	Fan/Guard/Motor Mount Hardware Kit [Qty. Req'd per Capacity]		11261R04963-002 [1]	
21	Flue Collector ³	Aluminized Steel	11507R03918-004	11507R03918-005
		409 Stainless Steel	11507R03918-104	11507R03918-105
22	Power Vent (Drafter) Assembly		11J35R04700	
23	Flue Collar Assembly		11257R05062	
25	Turbulator ¹		11501R03893	11501R03893
26	Louver [8 Req'd per Model]		11257R04587-108	
27	Louver Spring [8 Req'd per Model]		11J26R01960	
28	Right Side Jacket Panel w/ Insulation		11251R10349	
29	Left Side Jacket Panel w/ Insulation		11251R08909-10L	
30	Top Jacket Panel w/ Insulation		11251R06364-004	
31	Bottom Jacket Panel w/ Insulation		11251R10353-004	
36	Washer (4 per Unit)		11J24R00326-005	
41	Electrical Control Box Cover	Single or Two Stg Gas Control	11257R03888	
		Modulating Gas Control	11257R08990	
42	Electrical Control Box Base (Wrapper)	Single or Two Stg Gas Control	11257R03889	
		Modulating Gas Control	11257R08991	
43	Bottom Burner Panel Assembly		11257R10346-004	
44	Rear Cover Panel Assembly		11257R10347-004	
45	Inlet Air Collar Assembly [Qty. Req'd per Capacity]		11251R10355 [1]	
46	Viewport Plug		11J07R08348-001	
47	Manifold Sealing Bracket Assembly		11257R10351-004	
N/S	Vinyl Tubing (Pressure Switch)		11261R04964-002	
N/S	Green Ground Screw		11J21R01287	
N/S	Molex Connector Assembly		11J11R06887-001	
N/S	Ignition Cable - 36 Inches Long		11J28R06971-002	
N/S	Contactors, 115V		N/A	

Notes:

1. Turbulators are included in Vestibule Panel/Tube Assembly (Heat Exchanger).
2. Standard Fan Guards for unit capacities 175-400 MBH include motor mounting plate.
3. When replacing a flue collector, make sure that the flue collector box is sealed completely to the vestibule panel using RTV sealant.

LEGEND: N/S - Part Not Shown, N/A - Not Applicable, Opt¹ - Optional Equipment

150	175	200	250	300	350	400	ITEM NO.
6	7	8	10	12	14	16	
PART NO.							
11507R04569-004	11507R04570-004	11507R04571-004	11507R04572-004	11507R04573-004	11507R04574-004	11507R04575-004	1
11507R04569-104	11507R04570-104	11507R04571-104	11507R04572-104	11507R04573-104	11507R04574-104	11507R04575-104	
11261R04965-004	11261R04965-007			11261R04965-012			2
11J37R04278	11J37R04279		11J37R04280	11J37R04281	11J37R04282	11J37R04283	3
11J37R03935	11J37R03935	11J37R03935	11J37R03935	11J37R03935	11J37R03935	11J37R03935	4
11J37R06754	11J37R06754	11J37R06754	11J37R06754	11J37R06754	11J37R06754	11J37R06754	4
11J36R04694-028	11J36R04694-028	11J36R04694-028	11J36R04694-028	11J36R04694-028	11J36R04694-028	11J36R04694-028	5
11512R08532-013	11512R08532-013	11512R08532-013	11512R08532-013	11512R08532-013	11512R08532-013	11512R08532-013	
11J38R06890-003							7
11J28R06881							8
11J28R06892-001				11J28R06893-001			
11J28R06892-002				11J28R06893-002			
11J28R06894-001				11J28R06895-001			9
11J28R06894-002				11J28R06895-002			
11J38R06891-001							10
11J14R03245-012							11
11J11R06778-003	11J11R06778-004			11J11R06778-003			
11J11R06778-005	11J11R06778-006			11J11R06778-005			12
11J11R04609							13
11J11R00306-002 [1]				11J11R00306-002 [2]			15
11252R04469 [1]				11252R04469 [2]			16
11J31R04093-002 [1]	11J31R04094-002 [1]			11J31R04093-002 [2]	11J31R04094-002 [2]		17
11J31R01694 [1]				11J31R01694 [2]			
11253R01873-001 [1]	11253R01874-T01 [1]			11253R01873-T01 [2]	11253R01874-T01 [2]		18
11M32R06163 [1]	11M32R08291 [1]			11M32R06163 [2]	11M32R08291 [2]		
11J34R06999-104 [1]	11J34R06999-105 [1]	11J34R06999-112 [1]		11J34R06999-104 [2]	11J34R06999-105 [2]	11J34R06999-112 [2]	19
11261R04963-002 [1]				11261R04963-002 [2]			20
11507R03918-006	11507R03920-007	11507R03920-008	11507R03920-010	11507R03922-012	11507R03922-014	11507R08997-016	21
11507R03918-106	11507R03920-107	11507R03920-108	11507R03920-110	11507R03922-112	11507R03922-114	11507R08997	
11J35R04700	11J35R04581			11507R04595			22
11257R05062	11507R04532			11507R04600			23
11501R03893	11501R03893	11501R03893	11501R03893	11501R03893	11501R03893	11501R03893	25
11257R04587-108	11257R04587-109			11257R04587-110			26
11J26R01960							27
11251R10349							28
11251R08909-10L							29
11251R06364-004	11251R06364-007			11251R06364-012			30
11251R10353-004	11251R10353-007			11251R10353-012			31
11J24R00326-005							36
11257R03888							
11257R08990							
11257R03889							42
11257R08991							
11257R10346-004	11257R10346-007			11257R10346-012			43
11257R10347-004	11257R10347-007			11257R10347-012			44
11251R10355 [1]				11251R10355 [2]			45
11J07R08348-001							46
11257R10351-004				11257R10351-012			47
11261R04964-002	11261R04964-003			11261R04964-004			N/S
11J21R01287							N/S
11J11R06887-001							N/S
11J28R06971-002							N/S
N/A					11J10R06276-015		N/S

XC SERIES CONVERTIBLE VENTING TYPE TUBULAR UNIT HEATERS UNIT NUMBER DESCRIPTION

<i>Digit</i>	T	X	X	X	-	1	2	3	4	5	6	7	8	9	10	11	12	13	14	+	
<i>Item</i>	Prefix					UT	CA			FT	FM	GT	AL	GC	SV	MT	MS	AS			
	<small>(Internal Use Only)</small>																				

1,2 - Unit Type [UT]

XC - Convertible Venting, Tubular Blower

3,4,5 - Capacity [CA]

- 100 - 100,000 BTU/HR
- 125 - 125,000 BTU/HR
- 150 - 150,000 BTU/HR
- 175 - 175,000 BTU/HR
- 200 - 200,000 BTU/HR
- 250 - 250,000 BTU/HR
- 300 - 300,000 BTU/HR
- 350 - 350,000 BTU/HR
- 400 - 400,000 BTU/HR

6 - Furnace Type [FT]

A - Right Hand Access

7 - Heat Exchanger (Furnace) Material [FM]

- 1 - Standard (Aluminized) Steel
- 2 - 409 Stainless Steel

8 - Gas Type [GT]

- N - Natural Gas
- P - Propane Gas (LP)

9 - Altitude [AL]

- S - 0-4,999 ft.
- T - 5,000-11,999 ft.

Note: Installations over 2,000 ft. require gas input deration in the field. Refer to unit installation instructions.

10 - Direct Spark Gas Control [GC]

- 1 - Single Stage
- 2 - Two Stage
- 3 - Electronic Modulation w/Room Sensing
- 4 - Electronic Modulation w/Duct Sensing
- 5 - Electronic Modulation w/Duct Sensing & Room Override Stat
- 6 - Electronic Modulation w/External 4-20 mA Input
- 7 - Electronic Modulation w/External 0-10 VDC Input

11 - Supply Voltage [SV]

- | | |
|--------------|--------------|
| 1 - 115/1/60 | 5 - 230/3/60 |
| 2 - 208/1/60 | 6 - 460/3/60 |
| 3 - 230/1/60 | 7 - 575/3/60 |
| 4 - 208/3/60 | Z - Special |

Note: Supply Voltages [SV] 2-7 include step down transformer. Transformer is factory mounted on blower unit types.

12 - Motor Type [MT]

- 1 - Open Drip Proof (Standard)
- 2 - Totally Enclosed
- 3 - Premium Efficiency, Open Drip Proof
- 4 - Premium Efficiency, Totally Enclosed

13 - Blower Motor Sizes [MS]**

- | | |
|--------------------------|---------------------------------|
| A - 1/4 HP w/Contactor | P - 1/2 HP w/Magnetic Starter |
| C - 1/2 HP w/Contactor | R - 3/4 HP w/Magnetic Starter |
| D - 3/4 HP w/Contactor | S - 1 HP w/Magnetic Starter |
| F - 1 HP w/Contactor | T - 1-1/2 HP w/Magnetic Starter |
| G - 1-1/2 HP w/Contactor | U - 2 HP w/Magnetic Starter |
| H - 2 HP w/Contactor | W - 1/4 HP w/Magnetic Starter |
| J - 1/4 HP | 0 - None/Not Applicable |
| L - 1/2 HP | |

***Notes: 1. All 3-phase units [SV = 4, 5, 6, 7] include a contactor as standard.
 2. All single phase units [SV = 1, 2, 3] include a contactor for units equipped with 3/4 HP. motor or higher [MS = D, F, G, H]
 3. [MS] options J, L only available with [SV] option 1 (115/1/60).*

14+ - Accessories [AS]

FACTORY INSTALLED

- M8 - Discharge Duct Flange
- P4 - Terminal Block Wiring
- P6 - Summer/Winter Switch
- S3 - 409 Stainless Steel Flue Collector
- S5 - 304L Stainless Steel Burners

† FIELD INSTALLED (11AS-____)

† All Field Installed Accessories are to be entered as a separate line item using the catalog number which places "11AS" as a prefix. i.e. G3 becomes 11AS-G3.

A7 - High Pressure Regulator

- A7-1/2-1 - Regulator for 0.5-10 PSI
- A7-3/8-1 - Regulator for 10-20 PSI
- A7-5/16-1 - Regulator for 20-35 PSI

F1 - 1-Stage T675A Ductstat

F2 - 2-Stage T678A Ductstat

G1 - 1-Stage Mercury Free Thermostat (Round)

- G2 - 1-Stage Mercury Free Thermostat w/Guard Kit
- G3 - 1-Stage Mercury Free Thermostat w/Fan Switch
- G5 - 2-Stage Mercury Free Thermostat w/Fan Switch
- G6 - Locking Thermostat Cover
- G9 - 1-Stage Mercury Free Heating Only Thermostat
- GW - WiFi Thermostat TH8321WF1001/U

H5 - Low Ambient Control

M2-2 - Vent Caps (5") (Unit Capacity 100-250)

M2-3 - Vent Caps (6") (Unit Capacity 300-400)

P5 - 24V SPST Relay-Specify Purpose

Q1 - Y-Splitter Nozzle

X2 - 30 Degree Downturn Nozzle

X3 - 60 Degree Downturn Nozzle

X4 - 90 Degree Downturn Nozzle

X5 - Vertical Louver Kit

X7-H5 - Horiz. Combustion Air Inlet Kit, 5 inch (Unit Capacity 100-250)

X7-H6 - Horiz. Combustion Air Inlet Kit, 6 inch (Unit Capacity 300-400)

X7-V5 - Vert. Combustion Air Inlet Kit, 5 inch (Unit Capacity 100-250)

X7-V6 - Vert. Combustion Air Inlet Kit, 6 inch (Unit Capacity 300-400)

XC SERIES 100-400 MBH REPLACEMENT PARTS

Figure 7 – Front View

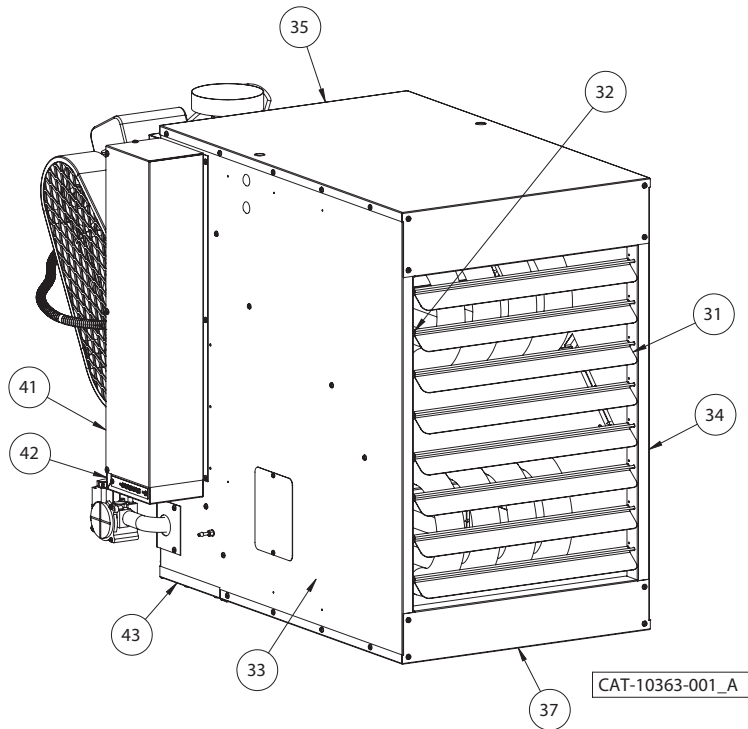
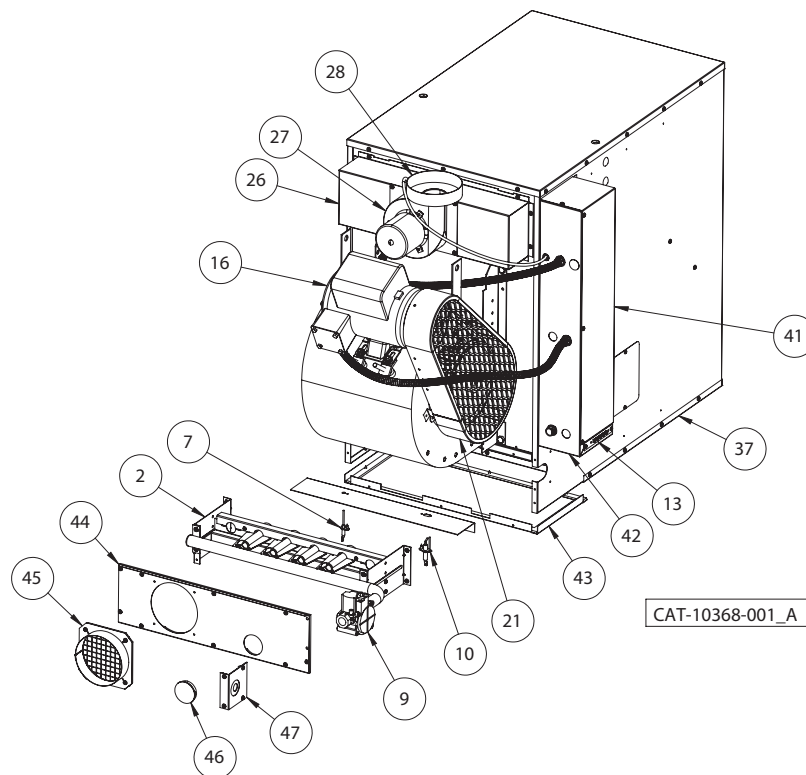


Figure 8 – Rear View



XC SERIES 100-400 MBH REPLACEMENT PARTS

Figure 9 – Exploded View - Less Jacketry and Controls, Single Blower

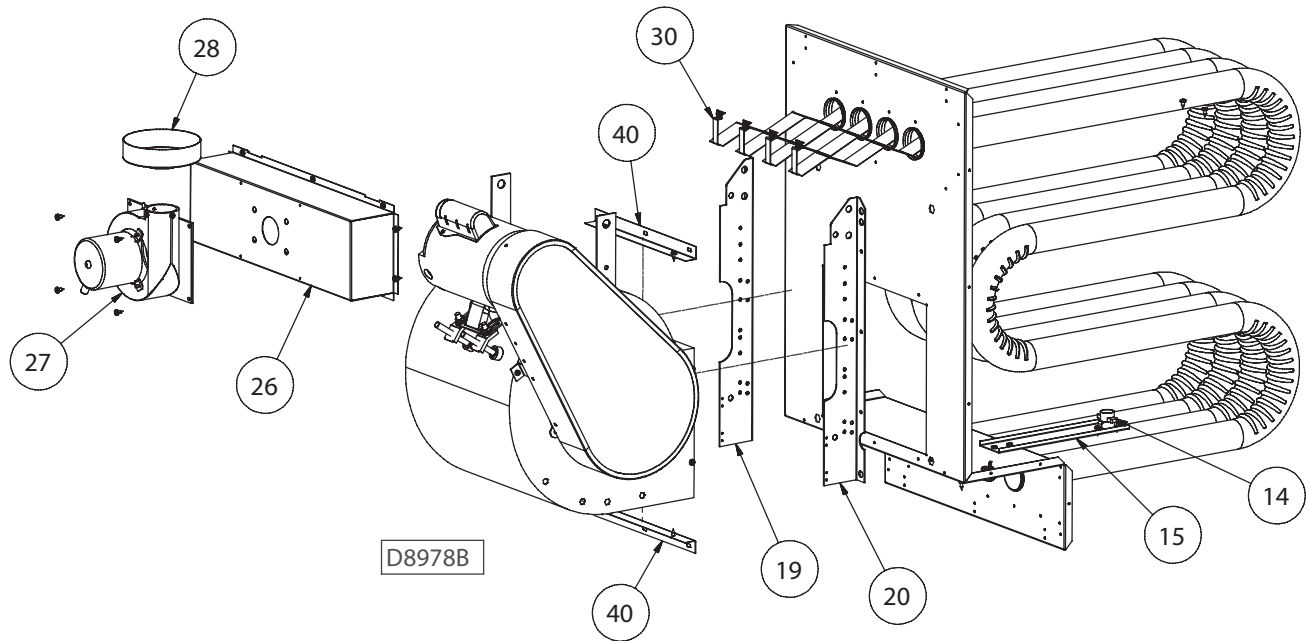
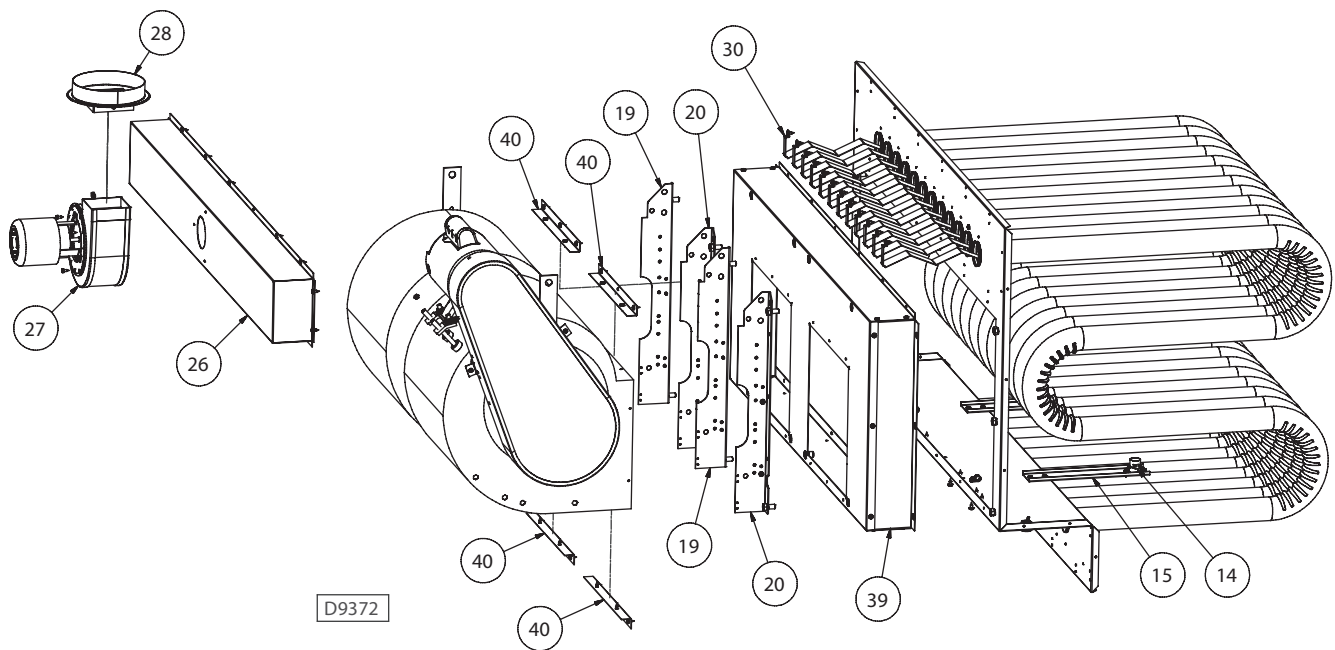


Figure 10 – Exploded View - Less Jacketry and Controls, Dual Blower



XC SERIES 100-400 MBH REPLACEMENT PARTS

Figure 11 – Vestibule Panel/Tube Assembly (Heat Exchanger)

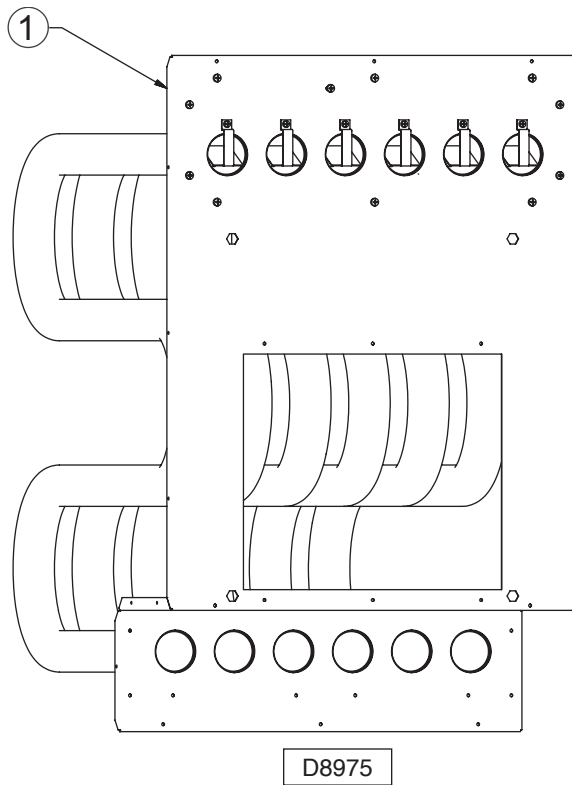


Figure 12 – Electrical Control Panel

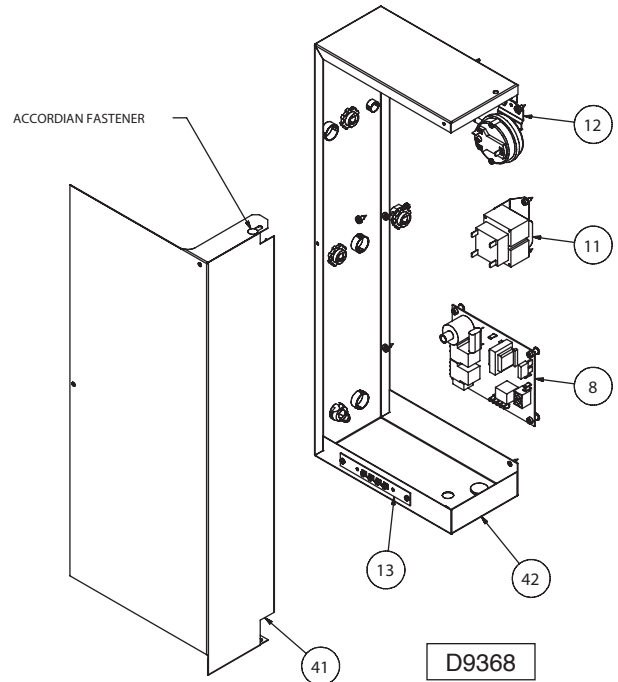


Figure 13 – Manifold Burner Assembly

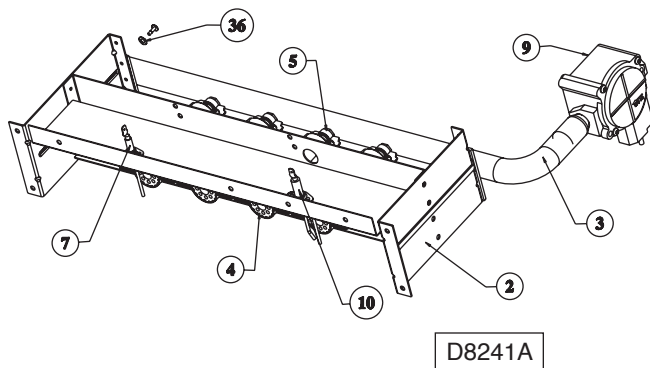
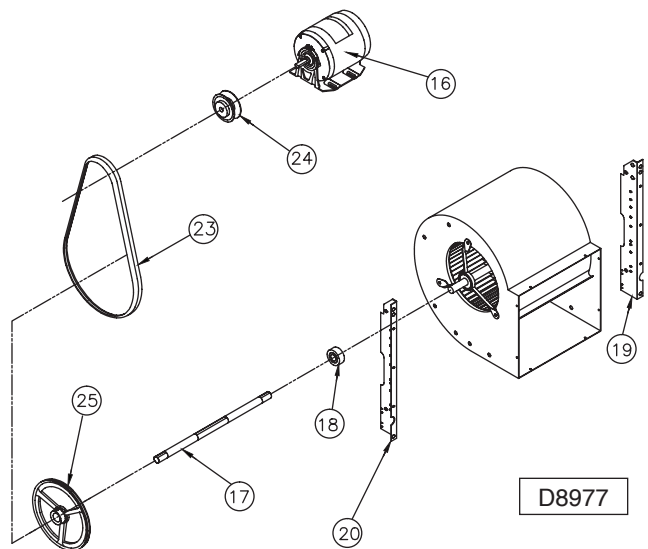


Figure 14 – Blower Assembly



XC SERIES 100-400 MBH REPLACEMENT PARTS

ITEM NO.	UNIT CAPACITY (MBH)		100	125
	NO. OF TUBES, TURBULATORS, BURNERS, ORIFICES REQ'D PER MODEL		4	5
	ITEM DESCRIPTION		PART NO.	
1	Vestibule Panel/Tube Ass'y (Heat Exchanger) ¹	Aluminized Steel	11507R08879-004	11507R08879-005
		409 Stainless Steel	11507R08879-104	11507R08879-105
2	Manifold Bracket Sub-Ass'y		11261R04965-004	
3	Manifold		11J37R04277	11J37R04278
4	Inshot Burner	Aluminized Steel	11J37R03935	11J37R03935
		304L Stainless Steel	11J37R06754	11J37R06754
5	Standard Orifice	Natural Gas (#42)	11J36R04694-028	11J36R04694-028
		Propane (LP) Gas (#53)	11512R08532-013	11512R08532-013
7	Flame Sensor		11J38R06890-003	
8	Control Board		11J28R06881	
9	Direct Spark Gas Valve, Single Stage	Natural Gas	11J28R06892-001	
		Propane (LP) Gas	11J28R06892-002	
	Direct Spark Gas Valve, Two Stage	Natural Gas	11J28R06894-001	
		Propane (LP) Gas	11J28R06894-002	
10	Spark Ignitor		11J38R06891-001	
11	Transformer, 50 VA, 115/24		11J14R03245-012	
12	Air Pressure Switch	Std Alt (0-4,999 ft)	11J11R06778-003	
		High Alt (5,000 ft+)	11J11R06778-005	
13	Terminal Block Plate		11J11R04609	
14	High Limit Switch [Qty Req'd Per Capacity]		11J11R00306-002 [1]	
15	High Limit Bracket [Qty Req'd Per Capacity]		11252R04469 [1]	
16	Blower Motor		SEE PAGE 30 - BLOWER MOTORS	
	Blower Assembly ² [Qty Req'd]		11J35R08621 [1]	11J35R08622 [1]
17	Blower Shaft ³		AVAIL AS KIT ONLY	11J35R00540-002
18	Main Bearing ³ [Qty Req'd]		AVAIL AS KIT ONLY	11J42R00433-008 [2]
19	Blower Housing Support (LH)		11252R03490-001	
20	Blower Housing Support (RH)		11252R03490-002	
21	Belt Guard		11253R04403-001	11253R04403-002
23	V-Belt Standard		11J47RA47	11J47RA41
24	Drive Pulley (Standard) - A.K.A. Motor Sheave		11J35R1VL44X1/2	11J35R1VL44X5/8
25	Driven Pulley (Standard) - A.K.A. Blower Pulley		11J35RAL84X3/4K	
26	Flue Collector ⁴	Aluminized Steel	11507R03918-004	11507R03918-005
		409 Stainless Steel	11507R03918-104	11507R03918-105
27	Power Venter Assembly		11J35R04700	
28	Flue Collar Assembly		11257R05062	
30	Turbulator ¹		11501R03893	11501R03893
31	Louver [8 Req'd Per Capacity]		11257R04587-108	
32	Louver Spring [8 Req'd Per Capacity]		11J26R01960	
33	Right Side Jacket Panel W/ Insulation		11251R10349	
34	Left Side Jacket Panel W/ Insulation		11251R08909-10L	
35	Top Jacket Panel W/ Insulation		11251R06364-004	
36	Washer [4 Per Unit]		11J24R00326-005	
37	Bottom Jacket Panel W/ Insulation		11251R10353-004	
39	Blower Mounting Extension Assembly		N/A	
40	Blower Block Off Bracket [Qty Req'd]		11252R08921 [2]	11252R08922 [2]
41	Electrical Control Box Cover	Single or Two Stg Gas Control	11257R03888	
		Modulating Gas Control	11257R08990	
42	Electrical Control Box Base (Wrapper)	Single or Two Stg Gas Control	11257R03889	
		Modulating Gas Control	11257R08991	
43	Bottom Burner Panel Assembly		11257R10346-004	
44	Rear Cover Panel Assembly		11257R10347-004	
45	Inlet Air Collar Assembly [Qty. Req'd Per Capacity]		11251R10355 [1]	
46	Viewport Plug		11J07R08348-001	
47	Manifold Sealing Bracket Assembly		11257R10351-004	
N/S	Green Ground Screw		11J21R01287	
N/S	Vinyl Tubing (Pressure Switch)		11261R04964-002	
N/S	Molex Connector Assembly		11J11R06887-001	
N/S	Ignition Cable - 36 Inches Long		11J28R06971-002	

Notes:

- Turbulators are included in Vestibule Panel/Tube Assembly (Heat Exchanger).
- Blower Assembly includes housing, wheel, and bearing (spider) brackets. 11J35R08621 also includes shaft and bearings.
- Blower Assembly parts not sold separately for 100 MBH units.
- When replacing a flue collector, make sure that the flue collector box is sealed completely to the vestibule panel using RTV sealant.

LEGEND: N/S - Part Not Shown, N/A - Not Applicable, Opt¹ - Optional Equipment

150	175	200	250	300	350	400	ITEM NO.
6	7	8	10	12	14	16	
PART NO.							
11507R08879-006	11507R08879-007	11507R08879-008	11507R08879-010	11507R08879-012	11507R08879-014	11507R08879-016	1
11507R08879-106	11507R08879-107	11507R08879-108	11507R08879-110	11507R08879-112	11507R08879-114	11507R08879-116	
11261R04965-004	11261R04965-007			11261R04965-012			2
11J37R04278	11J37R04279		11J37R04280	11J37R04281	11J37R04282	11J37R04283	3
11J37R03935	11J37R03935	11J37R03935	11J37R03935	11J37R03935	11J37R03935	11J37R03935	4
11J37R06754	11J37R06754	11J37R06754	11J37R06754	11J37R06754	11J37R06754	11J37R06754	
11J36R04694-028	11J36R04694-028	11J36R04694-028	11J36R04694-028	11J36R04694-028	11J36R04694-028	11J36R04694-028	5
11512R08532-013	11512R08532-013	11512R08532-013	11512R08532-013	11512R08532-013	11512R08532-013	11512R08532-013	
11J38R06890-003							7
11J28R06881							8
11J28R06892-001				11J28R06893-001			9
11J28R06892-002				11J28R06893-002			
11J28R06894-001				11J28R06895-001			
11J28R06894-002				11J28R06895-002			
11J38R06891-001							10
11J14R03245-012							11
11J11R06778-003	11J11R06778-004			11J11R06778-003			12
11J11R06778-005	11J11R06778-006			11J11R06778-005			
11J11R04609							13
11J11R00306-002 [1]				11J11R00306-002 [2]			14
11252R04469 [1]				11252R04469 [2]			15
SEE PAGE 30 - BLOWER MOTORS							16
11J35R08622 [1]	11J35R08623 [1]		11J35R08622 [2]		11J35R08623 [2]		
11J35R00540-002	11J35R00540-003			11J35R01974	11J35R01975		17
11J42R00433-008 [2]	11J42R00433-009 [2]			11J42R00433-008 [3]	11J42R00433-009 [3]		18
11252R03490-001							19
11252R03490-002							20
11253R04403-002	11253R04403-003			11253R04403-002	11253R04403-003		21
11J47RA47	11J47RA43			11J47RA41	11J47RA44	11J47RA46	23
11J35R1VL44X5/8	11J35R1VL34X5/8		11J35R1VL44X5/8			11J35R1VL34X5/8	24
11J35RAL84X3/4K	11J35RAL84X1KEY			11J35RAL84X3/4K	11J35RAL84X1KEY		25
11507R03918-006	11507R03920-007	11507R03920-008	11507R03920-010	11507R03922-012	11507R03922-014	11507R08997-016	26
11507R03918-106	11507R03920-107	11507R03920-108	11507R03920-110	11507R03922-112	11507R03922-114	11507R08997	
11J35R04700	11J35R04581			11507R04595			27
11257R05062	11507R04532			11507R04600			28
11501R03893	11501R03893	11501R03893	11501R03893	11501R03893	11501R03893	11501R03893	30
11257R04587-108	11257R04587-109			11257R04587-110			31
11J26R01960							32
11251R10349							33
11251R08909-10L							34
11251R06364-004	11251R06364-007			11251R06364-012			35
11J24R00326-005							36
11251R10353-004	11251R10353-007			11251R10353-012			37
N/A	11510R08841-007			11510R08841-012	11510R08841-014		39
11252R08922 [2]	11252R08923 [2]			11252R08922 [4]	11252R08923 [4]		40
11257R03888							41
11257R08990							
11257R03889							
11257R08991							42
11257R10346-004	11257R10346-007			11257R10346-012			43
11257R10347-004	11257R10347-007			11257R10347-012			44
11251R10355 [1]					11251R10355 [2]		45
11J07R08348-001							46
11257R10351-004				11257R10351-012			47
11J21R01287							N/S
11261R04964-002	11261R04964-003			11261R04964-004			N/S
11J11R06887-001							N/S
11J28R06971-002							N/S

TF, GF SERIES TUBULAR PROPELLER UNIT HEATERS UNIT NUMBER DESCRIPTION

Digit	T	X	X	X	1	2	3	4	5	6	7	8	9	10	11	12	13	+	
Item	Prefix				UT	CA			FT	FM	GT	AL	GC	SV	MT	AS			
	<small>(Internal Use Only)</small>																		

1,2 - Unit Type [UT]

TF - Tubular Propeller
GF - Stainless Steel Tubular Propeller

3,4,5 - Capacity [CA]

100 - 100,000 BTU/HR (TF Only)
125 - 125,000 BTU/HR (TF Only)
150 - 150,000 BTU/HR
175 - 175,000 BTU/HR (TF Only)
200 - 200,000 BTU/HR (TF Only)
250 - 250,000 BTU/HR
300 - 300,000 BTU/HR (TF Only)
350 - 350,000 BTU/HR (TF Only)
400 - 400,000 BTU/HR

6 - Furnace Type [FT]

A - Right Hand Access

7 - Heat Exchanger (Furnace) Material [FM]

1 - Standard (Aluminized) Steel (TF Only)
2 - 409 Stainless Steel

8 - Gas Type [GT]

N - Natural Gas
P - Propane (LP) Gas

9 - Altitude [AL]

S - 0-4,999 ft.
T - 5,000-11,999 ft.

Note: Installations over 2,000 ft. require gas input deration in the field. Refer to unit installation instructions.

10 - Gas Control [GC]

1 - Single Stage Direct Spark
2 - Two Stage Direct Spark
3 - Electronic Modulation w/Room Sensing
6 - Electronic Modulation w/External 4-20 mA Input
7 - Electronic Modulation w/External 0-10 VDC Input

Note: Gas Control [GC] 3, 6, 7 only available for TF.

11 - Supply Voltage [SV]

1 - 115/1/60	5 - 230/3/60
2 - 208/1/60	6 - 460/3/60
3 - 230/1/60	7 - 575/3/60
4 - 208/3/60	Z - Special

Note: Supply Voltage [SV] 2-7 include field mounted step down transformer.

12 - Motor Type [MT]

1 - Open Drip Proof (Standard)
2 - Totally Enclosed

13+ - Accessories [AS]

FACTORY INSTALLED

M6 - OSHA Type Fan Guard
P4 - Terminal Block Wiring (TF Only)
P6 - Summer/Winter Switch (TF Only)
S3 - 409 Stainless Steel Flue Collector (Standard on GF)
S5 - 304L Stainless Steel Burners

FIELD INSTALLED (11AS-____) †

† All Field Installed Accessories are to be entered as a separate line item using the catalog number which places "11AS" as a prefix. i.e. G3 becomes 11AS-G3.

A7 - High Pressure Regulator

A7-1/2-1 - Regulator for 0.5-10 PSI
A7-3/8-1 - Regulator for 10-20 PSI
A7-5/16-1 - Regulator for 20-35 PSI

G1 - 1-Stage Mercury Free Thermostat (Round)

G2 - 1-Stage Mercury Free Thermostat w/Guard Kit
G3 - 1-Stage Mercury Free Thermostat w/Fan Switch
G5 - 2-Stage Mercury Free Thermostat w/Fan Switch
G6 - Locking Thermostat Cover
G9 - 1-Stage Mercury Free Heating Only Thermostat
GW - WiFi Thermostat TH8321WF1001/U

H5 - Low Ambient Control

M2-2 - 5" Vent Cap (Capacity 100-250)

M2-3 - 6" Vent Cap (Capacity 300-400)

M7-TUB - 2 to 4 Point Suspension Kit (TF Only)

P5 - 24V SPST Relay-Specify Purpose

Q1 - Y-Splitter Nozzle (TF Only)

X2 - 30 Degree Downturn Nozzle (TF Only)

X3 - 60 Degree Downturn Nozzle (TF Only)

X4 - 90 Degree Downturn Nozzle (TF Only)

X5 - Vertical Louver Kit (TF Only)

TC SERIES TUBULAR BLOWER UNIT HEATERS, SF & SC SERIES SEPARATED COMBUSTION TUBULAR UNIT HEATERS UNIT NUMBER DESCRIPTION

Digit	T	X	X	X	-	1	2	3	4	5	6	7	8	9	10	11	12	13	14	+	
Item	Prefix					UT		CA		FT	FM	GT	AL	GC	SV	MT	MS		AS		
	(Internal Use Only)																				

1, 2 - Unit Type [UT]

TC - Tubular Blower
SF - Separated Combustion Tubular Propeller
SC - Separated Combustion Tubular Blower

3, 4, 5 - Capacity [CA]

100 - 100,000 BTU/HR
125 - 125,000 BTU/HR
150 - 150,000 BTU/HR
175 - 175,000 BTU/HR
200 - 200,000 BTU/HR
250 - 250,000 BTU/HR
300 - 300,000 BTU/HR
350 - 350,000 BTU/HR
400 - 400,000 BTU/HR

6 - Furnace Type [FT]

A - Right Side Access

7 - Heat Exchanger (Furnace) Material [FM]

1 - Standard (Aluminized) Steel
2 - 409 Stainless Steel

8 - Gas Type [GT]

N - Natural Gas
P - Propane Gas (LP)

9 - Altitude [AL]

S - 0-4,999 ft.
T - 5,000-11,999 ft.

Note: Installations over 2,000 ft. require gas input deration in the field. Refer to unit installation instructions.

10 - Direct Spark Gas Control [GC]

1 - Single Stage
2 - Two Stage
3 - Electronic Modulation w/Room Sensing
4 - Electronic Modulation w/Duct Sensing (Blowers Only)
5 - Electronic Modulation w/Duct Sensing & Room Override Stat (Blowers Only)
6 - Electronic Modulation w/External 4-20 mA Input
7 - Electronic Modulation w/External 0-10 VDC Input

11 - Supply Voltage [SV]

1 - 115/1/60 5 - 230/3/60
2 - 208/1/60 6 - 460/3/60
3 - 230/1/60 7 - 575/3/60
4 - 208/3/60 Z - Special

Note: Supply Voltages [SV] 2-7 include step down transformer. Transformer is factory mounted on blower unit types, and field mounted on propeller unit type.

12 - Motor Type [MT]

1 - Open Drip Proof (Standard)
2 - Totally Enclosed
3 - Premium Efficiency, Open Drip Proof (Blowers Only)
4 - Premium Efficiency, Totally Enclosed (Blowers Only)

13 - Blower Motor Sizes [MS]**

A - 1/4 HP w/Contactor P - 1/2 HP w/Magnetic Starter
C - 1/2 HP w/Contactor R - 3/4 HP w/Magnetic Starter
D - 3/4 HP w/Contactor S - 1 HP w/Magnetic Starter
F - 1 HP w/Contactor T - 1-1/2 HP w/Magnetic Starter
G - 1-1/2 HP w/Contactor U - 2 HP w/Magnetic Starter
H - 2 HP w/Contactor W - 1/4 HP w/Magnetic Starter
J - 1/4 HP 0 - None/Not Applicable
L - 1/2 HP

**Notes: 1. All 3-phase units [SV = 4, 5, 6, 7] include a contactor as standard.
2. All single phase units [SV = 1, 2, 3] include a contactor for units equipped with 3/4 HP. motor or higher [MS =D, F, G, H]
3. [MS] options J, L only available with [SV] option 1 (115/1/60).

14+ - Accessories [AS]

FACTORY INSTALLED

M6 - OSHA Type Fan Guard (Propellers Only)
M8 - Discharge Duct Flange (Blowers Only)

P4 - Terminal Block Wiring
P6 - Summer/Winter Switch

S3 - 409 Stainless Steel Flue Collector
S5 - 304L Stainless Steel Burners

FIELD INSTALLED (11AS-____) †

† All Field Installed Accessories are to be entered as a separate line item using the catalog number which utilizes "11AS" as a prefix. i.e: G3 becomes 11AS-G3.

A7 - High Pressure Regulator
A7-1/2-1 - Regulator for 0.5-10 PSI
A7-3/8-1 - Regulator for 10-20 PSI
A7-5/16-1 - Regulator for 20-35 PSI

F1 - 1-Stage T675A Ductstat (Blowers Only)
F2 - 2-Stage T678A Ductstat (Blowers Only)

G1 - 1-Stage Mercury Free Thermostat (Round)
G2 - 1-Stage Mercury Free Thermostat w/Guard Kit
G3 - 1-Stage Mercury Free Thermostat w/Fan Switch
G5 - 2-Stage Mercury Free Thermostat w/Fan Switch
G6 - Locking Thermostat Cover
G9 - 1-Stage Mercury Free Heating Only Thermostat
GW - WiFi Thermostat TH8321WF1001/U

H5 - Low Ambient Control

M2-2 - Vent Caps (5") (Capacity 100-250)
M2-3 - Vent Caps (6") (Capacity 300-400)
M7-TUB - 2 to 4 Point Suspension Kit (Propellers Only)

P5 - 24V SPST Relay
Specify Purpose

Q1 - Y-Splitter Nozzle

X2 - 30 Degree Downturn Nozzle
X3 - 60 Degree Downturn Nozzle
X4 - 90 Degree Downturn Nozzle
X5 - Vertical Louver Kit

X7-H5 - Horiz. Combustion Air (SF/SC 300-400 Only)
X7-H6 - Horiz. Combustion Air Inlet Kit, 5 inch (SF/SC 100-250 Only)
X7-V5 - Vert. Combustion Air Inlet Kit, 5 inch (SF/SC 100-250 Only)
X7-V6 - Vert. Combustion Air Inlet Kit, 6 inch (SF/SC 300-400 Only)

TF, GF SERIES 100-400 MBH REPLACEMENT PARTS FOR UNITS WITH DIRECT SPARK IGNITION

Figure 15 – Front View

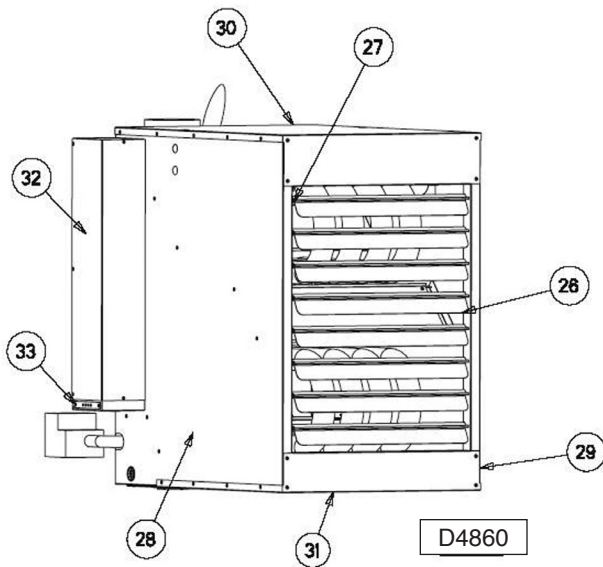


Figure 16 – Rear View

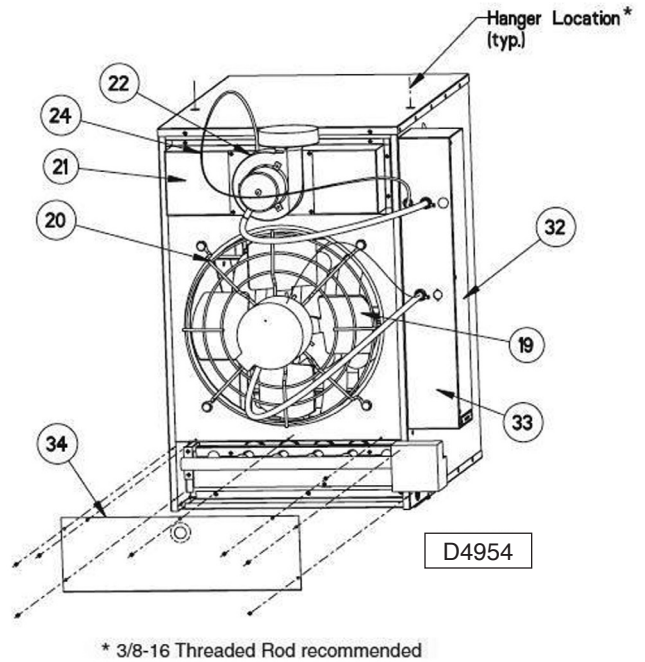
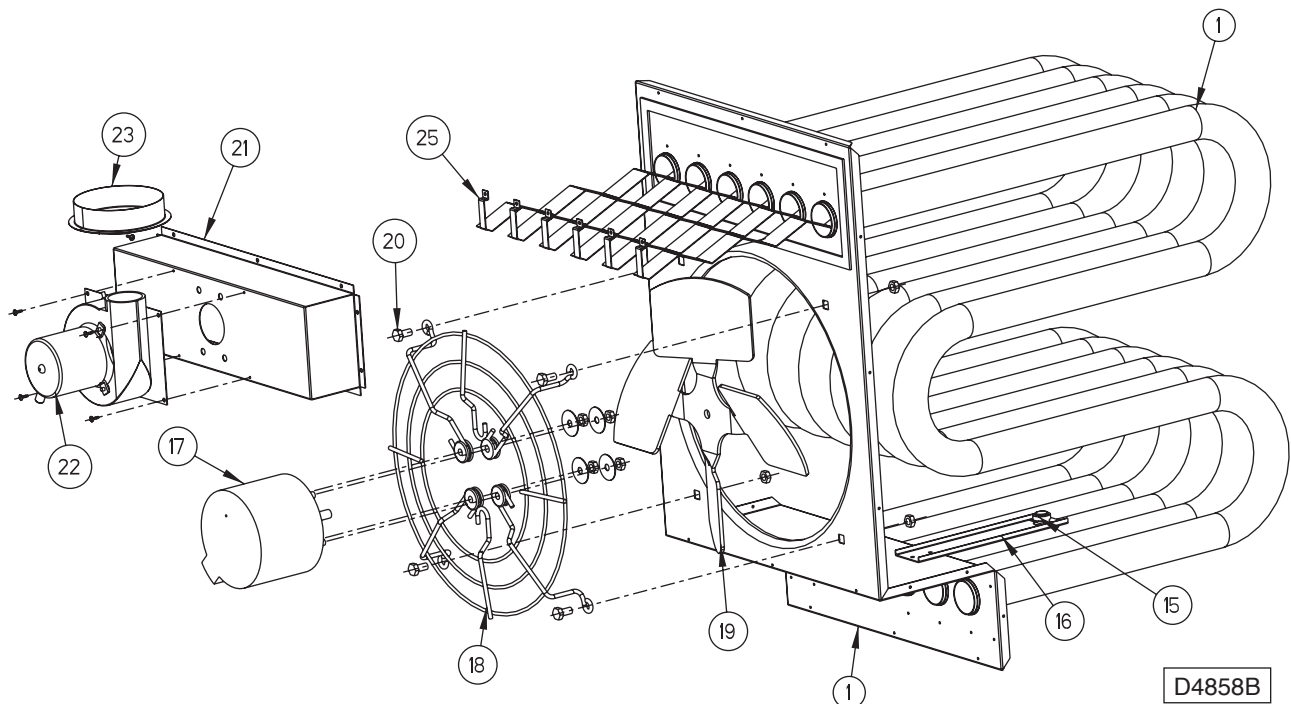


Figure 17 – Exploded View - Less Jacketry and Controls



TF, GF SERIES 100-400 MBH REPLACEMENT PARTS FOR UNITS WITH DIRECT SPARK IGNITION

**Figure 18 – Vestibule Panel/Tube Assembly
(Heat Exchanger)**

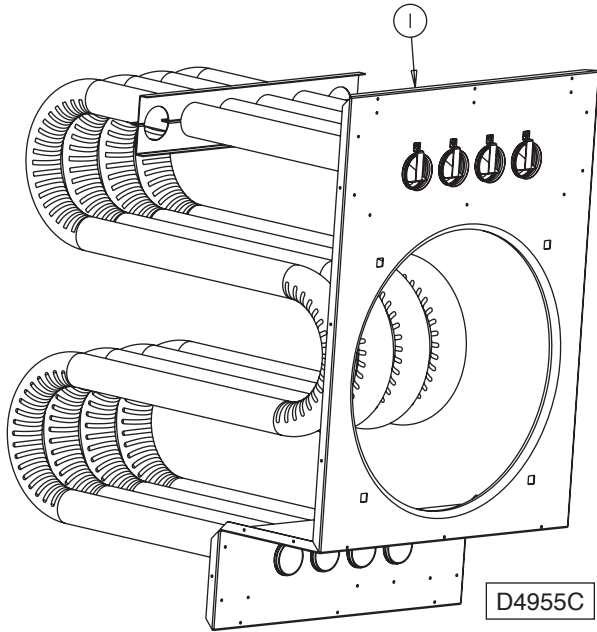


Figure 19 – Electrical Control Panel

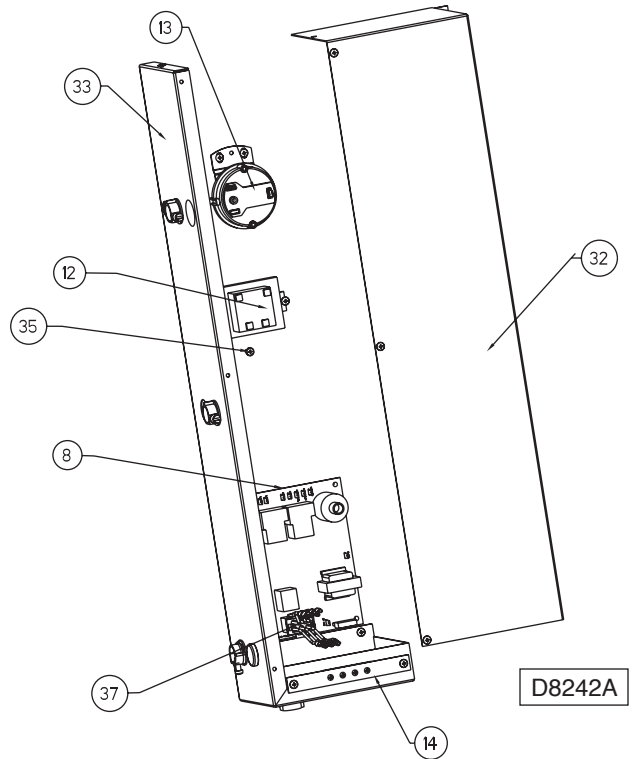
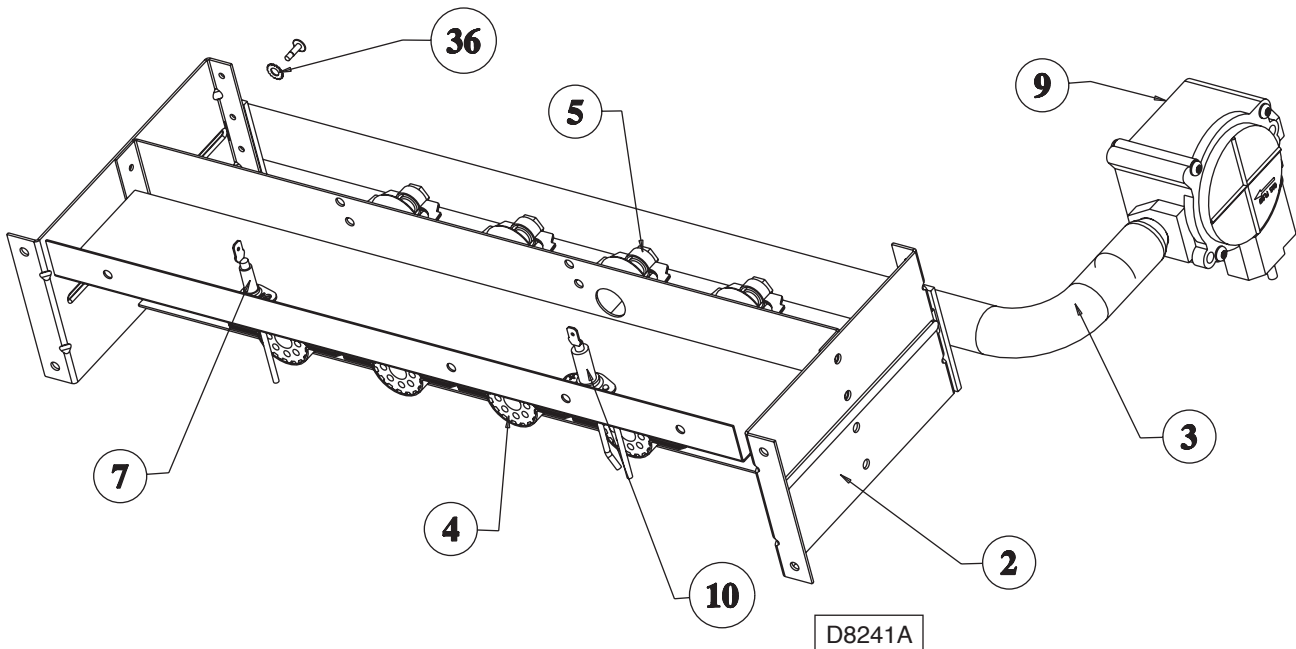


Figure 20 – Manifold Burner Assembly



TF, GF¹ SERIES 100-400 MBH REPLACEMENT PARTS FOR UNITS WITH DIRECT SPARK IGNITION

ITEM NO.	UNIT CAPACITY (MBH)				100	125
	NO. OF TUBES, TURBULATORS, BURNERS, ORIFICES REQ'D PER MODEL				4	5
	ITEM DESCRIPTION		TF	GF	PART NO.	
1	Vestibule Panel/Tube Ass'y (Heat Exchanger) ²	Aluminized Steel	X	N/A	11507R04567-004	11507R04568-004
		409 Stainless Steel	Opt'l	X	11507R04567-104	11507R04568-104
2	Manifold Bracket Sub-Ass'y	X	X	11261R04965-004		
3	Manifold	X	X	11J37R04277	11J37R04278	
4	Inshot Burner	Aluminized Steel	X	N/A	11J37R03935	11J37R03935
		304L Stainless Steel	Opt'l	X	11J37R06754	11J37R06754
5	Standard Orifice	Natural Gas (#42)	X	X	11J36R04694-028	11J36R04694-028
		Propane (LP) Gas (#53)	Opt'l	Opt'l	11512R08532-013	11512R08532-013
7	Flame Sensor ³	X	X	11J38R06890-003		
8	Control Board ³	X	X	11J28R06881		
9	Direct Spark Gas Valve, Single Stage ³	Natural Gas	X	X	11J28R06892-001	
		Propane (LP) Gas	Opt'l	Opt'l	11J28R06892-002	
	Direct Spark Gas Valve, Two Stage ³	Natural Gas	Opt'l	Opt'l	11J28R06894-001	
		Propane (LP) Gas	Opt'l	Opt'l	11J28R06894-002	
10	Spark Ignitor ³	X	X	11J38R06891-001		
12	Transformer, 50 VA, 115/24	X	X	11J14R03245-012		
13	Air Pressure Switch	Std Alt (0-4,999 ft)	X	X	11J11R06779-001	
		High Alt (5,000 ft+)	Opt'l	Opt'l	11J11R06780-001	
14	Terminal Block Plate	X	X	11J11R04609		
15	High Limit Switch [Qty. Req'd per Capacity]	X	X	11J11R00306-002 [1]		
16	High Limit Bracket [Qty. Req'd per Capacity]	X	X	11252R04469 [1]		
17	Fan Motor [Qty. Req'd per Capacity]	Open Drip Proof	X	X	11J31R04092-002 [1]	11J31R04093-002 [1]
		Totally Enclosed	Opt'l	Opt'l	11J31R03086 [1]	11J31R01694 [1]
18	Standard Fan Guard [Qty. Req'd per Capacity] ⁸	X	X	11253R01873-001 [1]		
	OSHA Fan Guard [Qty. Req'd per Capacity] incl. Motor Mounting Plate	Opt'l	Opt'l	11M32R06163 [1]		
19	Fan Blade [Qty. Req'd per Capacity] for Units with Standard ODP Motor ⁵	Units Mfd. Before 4/30/07	X	X	11J34R06999-104 [1]	11253R08414-001 [1]
		Units Mfd. After 4/30/07	X	X	11J34R06999-104 [1]	
	Fan Blade [Qty. Req'd per Capacity] for Units with Optional TE Motor ⁵	Units Mfd. Before 3/2/07	Opt'l	Opt'l	11J34R06999-104 [1]	
Units Mfd. After 3/2/07		Opt'l	Opt'l	11J34R06999-104 [1]		
20	Fan/Guard/Motor Mount Hardware Kit [Qty. Req'd per Capacity]	X	X	11261R04963-002 [1]		
21	Flue Collector ⁶	Aluminized Steel	X	N/A	11507R03918-004	11507R03918-005
		409 Stainless Steel	Opt'l	X	11507R03918-104	11507R03918-105
22	Power Vent (Drafter) Assembly	X	X	11J35R04700		
23	Flue Collar Assembly	X	X	11257R05062		
24	Vinyl Tubing (Pressure Switch)	X	X	11261R04964-002		
25	Turbulator ²	X	X	11501R03893	11501R03893	
26	Louver [8 Req'd per Model]	X	N/A	11257R04587-108		
		N/A	X	11257R04587-308		
27	Louver Spring [8 Req'd per Model]	X	X	11J26R01960		
28	Right Side Jacket Panel w/ Insulation ⁷	X	N/A	11261R04966		
29	Left Side Jacket Panel w/ Insulation ⁷	X	N/A	11261R04967		
30	Top Jacket Panel w/ Insulation ⁷	X	N/A	11261R04968-004		
31	Bottom Jacket Panel w/ Insulation ⁷	X	N/A	11261R04969-004		
32	Electrical Control Box Cover ⁷	X	N/A	11257R03888		
33	Electrical Control Box Base (Wrapper) ⁷	X	N/A	11257R03889		
34	Peep Hole Burner Cover Assembly ⁷	X	N/A	11261R05411-004		
35	Green Ground Screw	X	X	11J21R01287		
36	Washer (4 per Unit)	X	X	11J24R00326-005		
37	Molex Connector Assembly ³	X	X	11J11R06887-001		
N/S	Ignition Cable - 36 Inches Long ³	X	X	11J28R06971-002		
N/S	Contact, 115V	X	X	N/A		

Notes:

- GF Series only available in Capacities 150, 250, 400 MBH.
- Turbulators are included in Vestibule Panel/Tube Assembly (Heat Exchanger).
- See Replacement Part Catalog TFPC for units manufactured prior to 1/1/06, including all hot surface ignition parts.
- If replacing the direct spark gas valve on a 250 MBH unit manufactured between January 1, 2006 and September 23, 2013, choose the gas valve listed above for 300 MBH units.
- Fan blade part numbers beginning with "11253" are kits that include a fan blade and a fan motor supplied in (2) boxes.
- When replacing a flue collector, make sure that the flue collector box is sealed completely to the vestibule panel using RTV sealant.
- TF Series only; consult Customer Service for GF Series.
- Standard Fan Guards for unit capacities 175-400 MBH include motor mounting plate.

150	175	200	250	300	350	400	ITEM NO.
6	7	8	10	12	14	16	
PART NO.							
11507R04569-004	11507R04570-004	11507R04571-004	11507R04572-004	11507R04573-004	11507R04574-004	11507R04575-004	1
11507R04569-104	11507R04570-104	11507R04571-104	11507R04572-104	11507R04573-104	11507R04574-104	11507R04575-104	
11261R04965-004	11261R04965-007			11261R04965-012			2
11J37R04278	11J37R04279		11J37R04280	11J37R04281	11J37R04282	11J37R04283	3
11J37R03935	11J37R03935	11J37R03935	11J37R03935	11J37R03935	11J37R03935	11J37R03935	4
11J37R06754	11J37R06754	11J37R06754	11J37R06754	11J37R06754	11J37R06754	11J37R06754	
11J36R04694-028	11J36R04694-028	11J36R04694-028	11J36R04694-028	11J36R04694-028	11J36R04694-028	11J36R04694-028	5
11512R08532-013	11512R08532-013	11512R08532-013	11512R08532-013	11512R08532-013	11512R08532-013	11512R08532-013	
11J38R06890-003							7
11J28R06881							8
11J28R06892-001			11J28R06892-001 ⁴		11J28R06893-001		9
11J28R06892-002			11J28R06892-002 ⁴		11J28R06893-002		
11J28R06894-001			11J28R06894-001 ⁴		11J28R06895-001		
11J28R06894-002			11J28R06894-002 ⁴		11J28R06895-002		
11J38R06891-001							10
11J14R03245-012							12
11J11R06779-001	11J11R06779-002			11J11R06779-001			13
11J11R06780-001	11J11R06780-002			11J11R06780-001			
11J11R04609							14
11J11R00306-002 [1]				11J11R00306-002 [2]			15
11252R04469 [1]				11252R04469 [2]			16
11J31R04093-002 [1]	11J31R04094-002 [1]			11J31R04093-002 [2]	11J31R04094-002 [2]		17
11J31R01694 [1]				11J31R01694 [2]			
11253R01873-001 [1]	11253R01874-T01 [1]			11253R01873-T01 [2]	11253R01874-T01 [2]		18
11M32R06163 [1]	11M32R08291 [1]			11M32R06163 [2]	11M32R08291 [2]		
11253R08414-001 [1]	11J34R06999-105 [1]	11J34R06999-112 [1]		11253R08414-001 [2]	11J34R06999-105 [2]	11J34R06999-112 [2]	19
11J34R06999-104 [1]	11J34R06999-105 [1]	11J34R06999-112 [1]		11J34R06999-104 [2]	11J34R06999-105 [2]	11J34R06999-112 [2]	
11253R08414-002 [1]	11253R08415-002 [1]	11253R08416-002 [1]		11253R08414-002 [2]	11253R08415-002 [2]	11253R08416-002 [2]	
11J34R06999-104 [1]	11J34R06999-105 [1]	11J34R06999-112 [1]		11J34R06999-104 [2]	11J34R06999-105 [2]	11J34R06999-112 [2]	
11261R04963-002 [1]				11261R04963-002 [2]			20
11507R03918-006	11507R03920-007	11507R03920-008	11507R03920-010	11507R03922-012	11507R03922-014	11507R03922-016	21
11507R03918-106	11507R03920-107	11507R03920-108	11507R03920-110	11507R03922-112	11507R03922-114	11507R03922-116	
11J35R04700	11J35R04581			11507R04595			22
11257R05062	11507R04532			11507R04600			23
11261R04964-002	11261R04964-003			11261R04964-004			24
11501R03893	11501R03893	11501R03893	11501R03893	11501R03893	11501R03893	11501R03893	25
11257R04587-108	11257R04587-109			11257R04587-110			26
11257R04587-308	11257R04587-309			11257R04587-310			
11J26R01960							27
11261R04966							28
11261R04967							29
11261R04968-004	11261R04968-007			11261R04968-012			30
11261R04969-004	11261R04969-007			11261R04969-012			31
11257R03888							32
11257R03889							33
11261R05411-004	11261R05411-007			11261R05411-012			34
11J21R01287							35
11J24R00326-005							36
11J11R06887-001							37
11J28R06971-002							N/S
N/A					11J10R06276-015		N/S

SF SERIES 100-400 MBH REPLACEMENT PARTS

Figure 21 – Front View

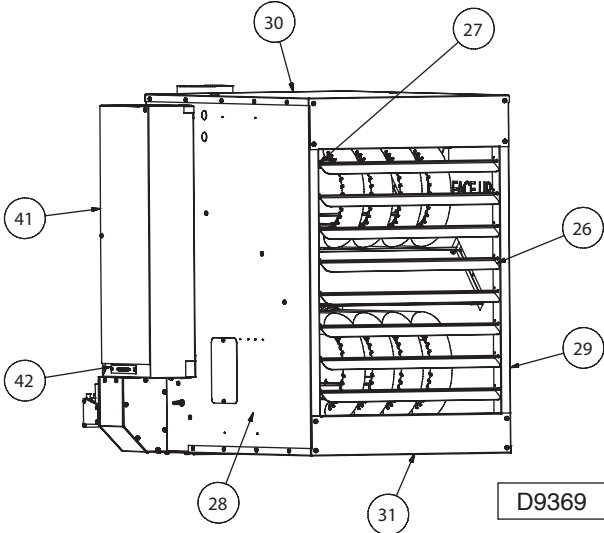
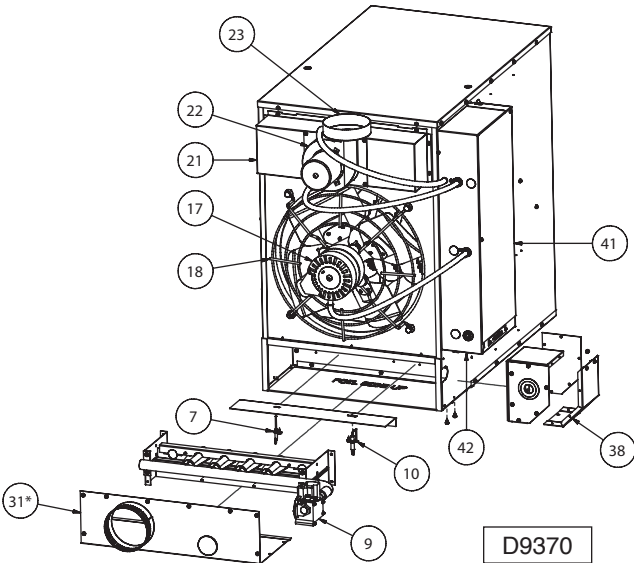
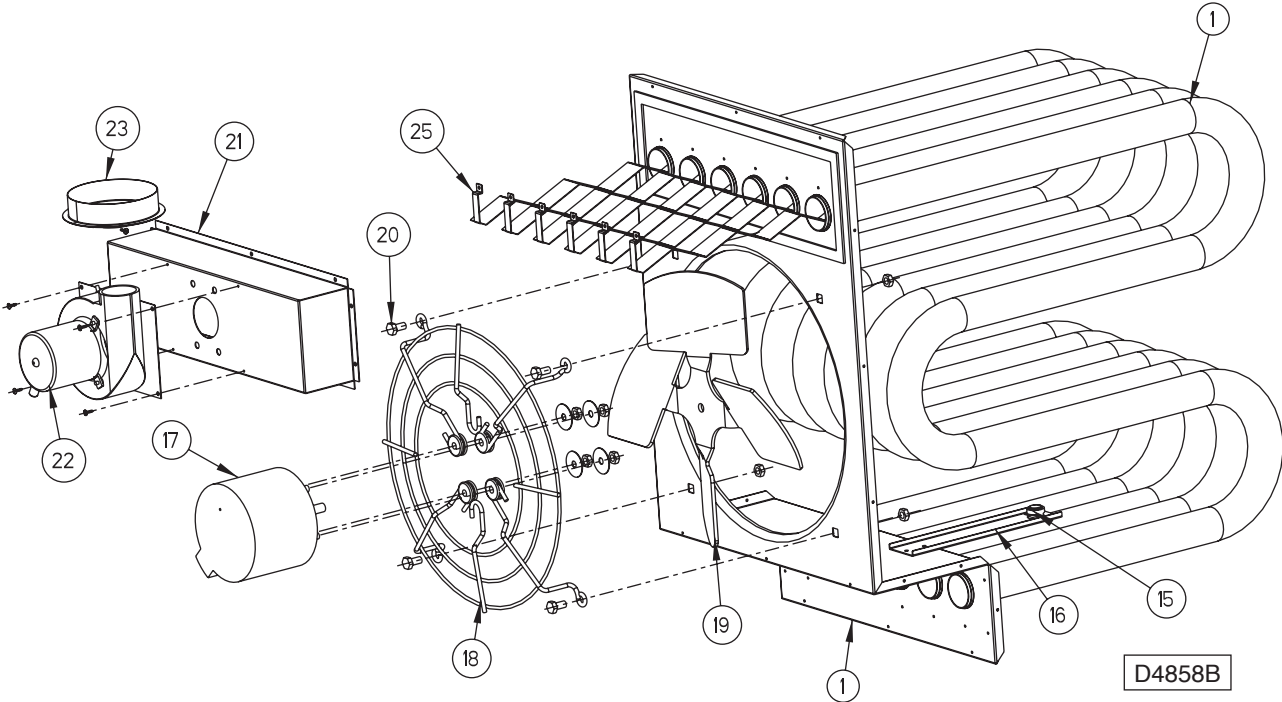


Figure 22 – Rear View



* Item #31 is part of the larger Bottom Jacket Panel & Burner Cover Assembly

Figure 23 – Exploded View - Less Jacketry and Controls



SF SERIES 100-400 MBH REPLACEMENT PARTS

Figure 24 – Vestibule Panel/Tube Assembly (Heat Exchanger)

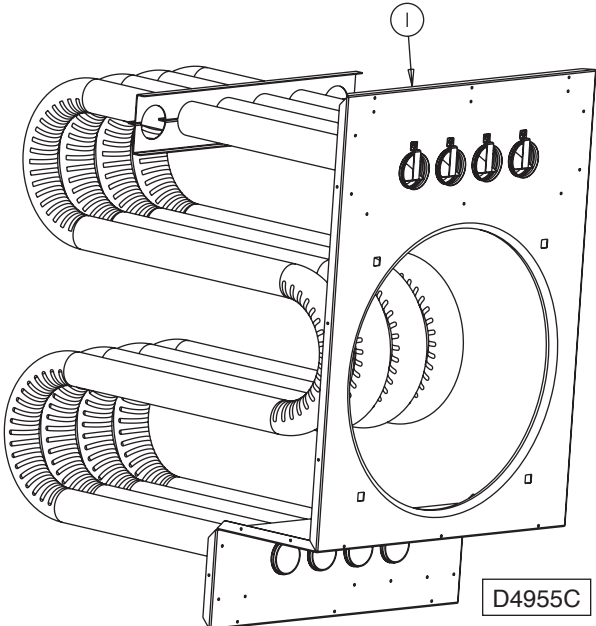


Figure 25 – Electrical Control Panel

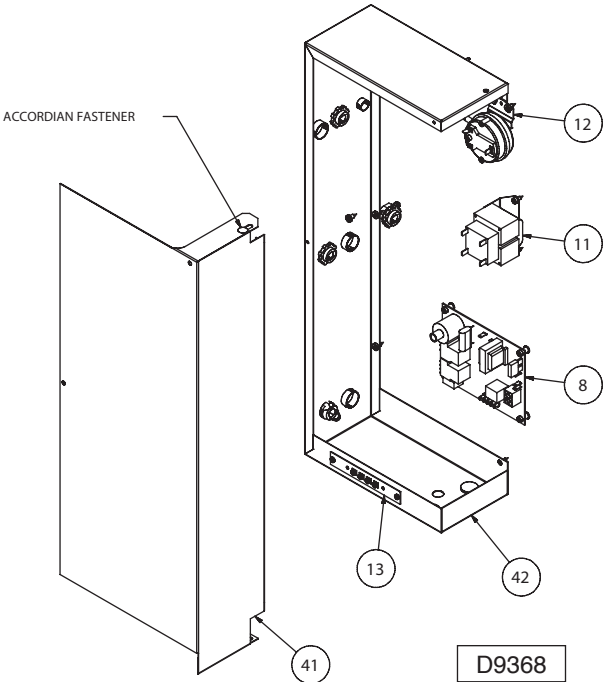
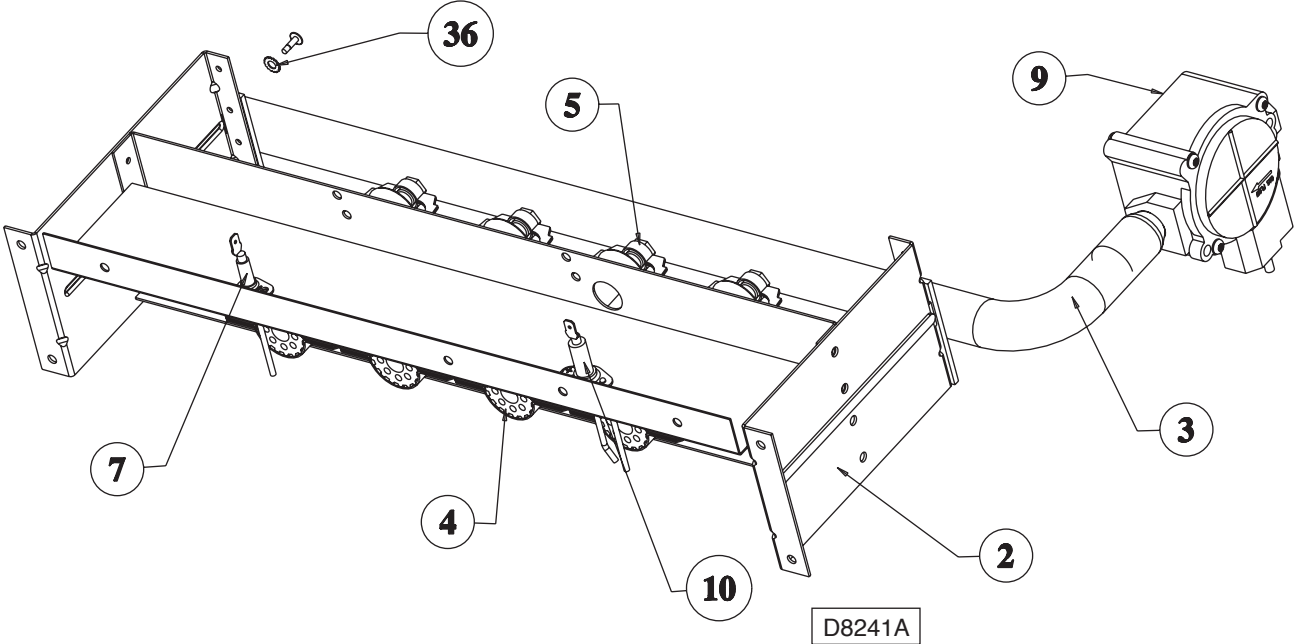


Figure 26 – Manifold Burner Assembly



SF SERIES 100-400 MBH REPLACEMENT PARTS

ITEM NO.	UNIT CAPACITY (MBH)		100	125
	NO. OF TUBES, TURBULATORS, BURNERS, ORIFICES REQ'D PER MODEL		4	5
	ITEM DESCRIPTION		PART NO.	
1	Vestibule Panel/Tube Ass'y (Heat Exchanger) ¹	Aluminized Steel	11507R04567-004	11507R04568-004
		409 Stainless Steel	11507R04567-104	11507R04568-104
2	Manifold Bracket Sub-Ass'y	11261R04965-004		
3	Manifold	11J37R04277	11J37R04278	
4	Inshot Burner	Aluminized Steel	11J37R03935	11J37R03935
		304L Stainless Steel	11J37R06754	11J37R06754
5	Standard Orifice	Natural Gas (#42)	11J36R04694-028	11J36R04694-028
		Propane (LP) Gas (#53)	11512R08532-013	11512R08532-013
7	Flame Sensor	11J38R06890-003		
8	Control Board	11J28R06881		
9	Direct Spark Gas Valve, Single Stage	Natural Gas	11J28R06892-001	
		Propane (LP) Gas	11J28R06892-002	
	Direct Spark Gas Valve, Two Stage	Natural Gas	11J28R06894-001	
		Propane (LP) Gas	11J28R06894-002	
10	Spark Ignitor	11J38R06891-001		
11	Transformer, 50 VA, 115/24	11J14R03245-012		
12	Air Pressure Switch	Std Alt (0-4,999 ft)	11J11R06778-003	
		High Alt (5,000 ft+)	11J11R06778-005	
13	Terminal Block Plate	11J11R04609		
14	High Limit Switch [Qty. Req'd per Capacity]	11J11R00306-002 [1]		
15	High Limit Bracket [Qty. Req'd per Capacity]	11252R04469 [1]		
17	Fan Motor [Qty. Req'd per Capacity]	Open Drip Proof	11J31R04092-002 [1]	11J31R04093-002 [1]
		Totally Enclosed	11J31R03086 [1]	11J31R01694 [1]
18	Standard Fan Guard [Qty. Req'd per Capacity] ⁵	11253R01873-001 [1]		
	OSHA Fan Guard [Qty. Req'd per Capacity] Incl. Motor Mounting Plate	11M32R06163 [1]		
19	Fan Blade [Qty. Req'd per Capacity]	11J34R06999-104 [1]		
20	Fan/Guard/Motor Mount Hardware Kit [Qty. Req'd per Capacity]	11261R04963-002 [1]		
21	Flue Collector ³	Aluminized Steel	11507R03918-004	11507R03918-005
		409 Stainless Steel	11507R03918-104	11507R03918-105
22	Power Vent (Drafter) Assembly	11J35R04700		
23	Flue Collar Assembly	11257R05062		
25	Turbulator ¹	11501R03893	11501R03893	
26	Louver [8 Req'd per Model]	11257R04587-108		
27	Louver Spring [8 Req'd per Model]	11J26R01960		
28	Right Side Jacket Panel w/ Insulation	11251R08909-10R		
29	Left Side Jacket Panel w/ Insulation	11251R08909-10L		
30	Top Jacket Panel w/ Insulation	11251R06364-004		
31	Bottom Jacket Panel w/ Insulation & Burner Cover Assembly	11257R09063-004		
36	Washer (4 per Unit)	11J24R00326-005		
38	Separated Combustion Chamber ⁴	11257R09056-004		
41	Electrical Control Box Cover	11257R08990		
42	Electrical Control Box Base (Wrapper)	11257R08991		
N/S	Vinyl Tubing (Pressure Switch)	11261R04964-002		
N/S	Green Ground Screw	11J21R01287		
N/S	Molex Connector Assembly	11J11R06887-001		
N/S	Ignition Cable - 36 Inches Long	11J28R06971-002		
N/S	Contact, 115V	N/A		

Notes:

1. Turbulators are included in Vestibule Panel/Tube Assembly (Heat Exchanger).
2. If replacing the direct spark gas valve on a 250 MBH unit manufactured before September 23, 2013, choose the gas valve listed above for 300 MBH units.
3. When replacing a flue collector, make sure that the flue collector box is sealed completely to the vestibule panel using RTV sealant.
4. Field assembly required.
5. Standard Fan Guards for unit capacities 175-400 MBH include motor mounting plate.

150	175	200	250	300	350	400	ITEM NO.
6	7	8	10	12	14	16	
PART NO.							
11507R04569-004	11507R04570-004	11507R04571-004	11507R04572-004	11507R04573-004	11507R04574-004	11507R04575-004	1
11507R04569-104	11507R04570-104	11507R04571-104	11507R04572-104	11507R04573-104	11507R04574-104	11507R04575-104	
11261R04965-004	11261R04965-007			11261R04965-012			2
11J37R04278	11J37R04279		11J37R04280	11J37R04281	11J37R04282	11J37R04283	3
11J37R03935	11J37R03935	11J37R03935	11J37R03935	11J37R03935	11J37R03935	11J37R03935	4
11J37R06754	11J37R06754	11J37R06754	11J37R06754	11J37R06754	11J37R06754	11J37R06754	
11J36R04694-028	11J36R04694-028	11J36R04694-028	11J36R04694-028	11J36R04694-028	11J36R04694-028	11J36R04694-028	5
11512R08532-013	11512R08532-013	11512R08532-013	11512R08532-013	11512R08532-013	11512R08532-013	11512R08532-013	
11J38R06890-003							7
11J28R06881							8
11J28R06892-001			11J28R06892-001 ²	11J28R06893-001			9
11J28R06892-002			11J28R06892-002 ²	11J28R06893-002			
11J28R06894-001			11J28R06894-001 ²	11J28R06895-001			
11J28R06894-002			11J28R06894-002 ²	11J28R06895-002			
11J38R06891-001							10
11J14R03245-012							11
11J11R06778-003	11J11R06778-004			11J11R06778-003			12
11J11R06778-005	11J11R06778-006			11J11R06778-005			
11J11R04609							13
11J11R00306-002 [1]				11J11R00306-002 [2]			14
11252R04469 [1]				11252R04469 [2]			15
11J31R04093-002 [1]	11J31R04094-002 [1]			11J31R04093-002 [2]	11J31R04094-002 [2]		17
11J31R01694 [1]				11J31R01694 [2]			
11253R01873-001 [1]	11253R01874-T01 [1]			11253R01873-T01 [2]	11253R01874-T01 [2]		18
11M32R06163 [1]	11M32R08291 [1]			11M32R06163 [2]	11M32R08291 [2]		
11J34R06999-104 [1]	11J34R06999-105 [1]	11J34R06999-112 [1]		11J34R06999-104 [2]	11J34R06999-105 [2]	11J34R06999-112 [2]	19
11261R04963-002 [1]				11261R04963-002 [2]			20
11507R03918-006	11507R03920-007	11507R03920-008	11507R03920-010	11507R03922-012	11507R03922-014	11507R08997-016	21
11507R03918-106	11507R03920-107	11507R03920-108	11507R03920-110	11507R03922-112	11507R03922-114	11507R08997	
11J35R04700	11J35R04581			11507R04595			22
11257R05062		11507R04532			11507R04600		23
11501R03893	11501R03893	11501R03893	11501R03893	11501R03893	11501R03893	11501R03893	25
11257R04587-108	11257R04587-109			11257R04587-110			26
11J26R01960							27
11251R08909-10R							28
11251R08909-10L							29
11251R06364-004	11251R06364-007			11251R06364-012			30
11257R09063-004		11257R09063-007			11257R09063-012		31
11J24R00326-005							36
11257R09056-004				11257R09056-010			38
11257R08990							41
11257R08991							42
11261R04964-002	11261R04964-003			11261R04964-004			N/S
11J21R01287							N/S
11J11R06887-001							N/S
11J28R06971-002							N/S
N/A					11J10R06276-015		N/S

TC SERIES 100-400 MBH REPLACEMENT PARTS

Figure 27 – Front View

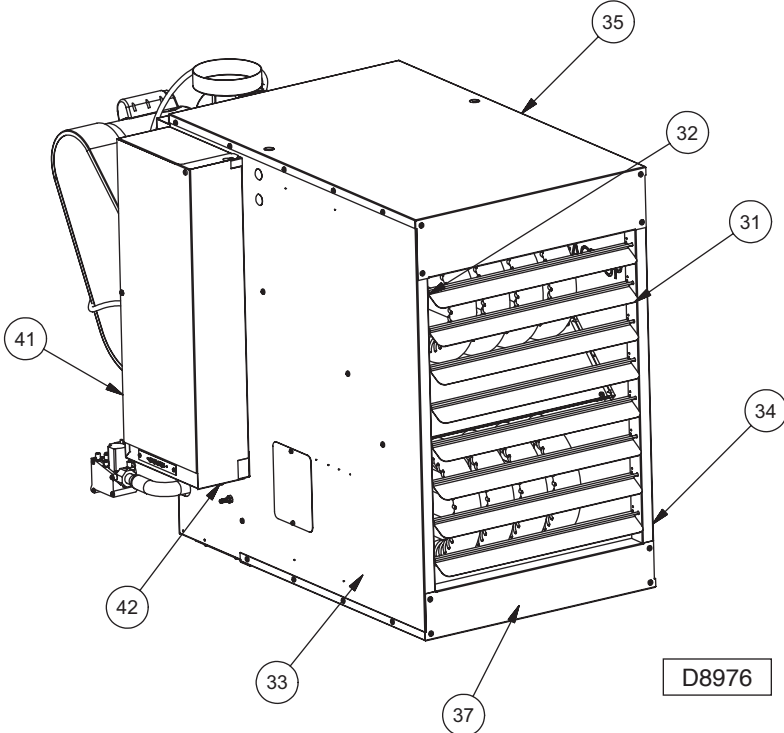
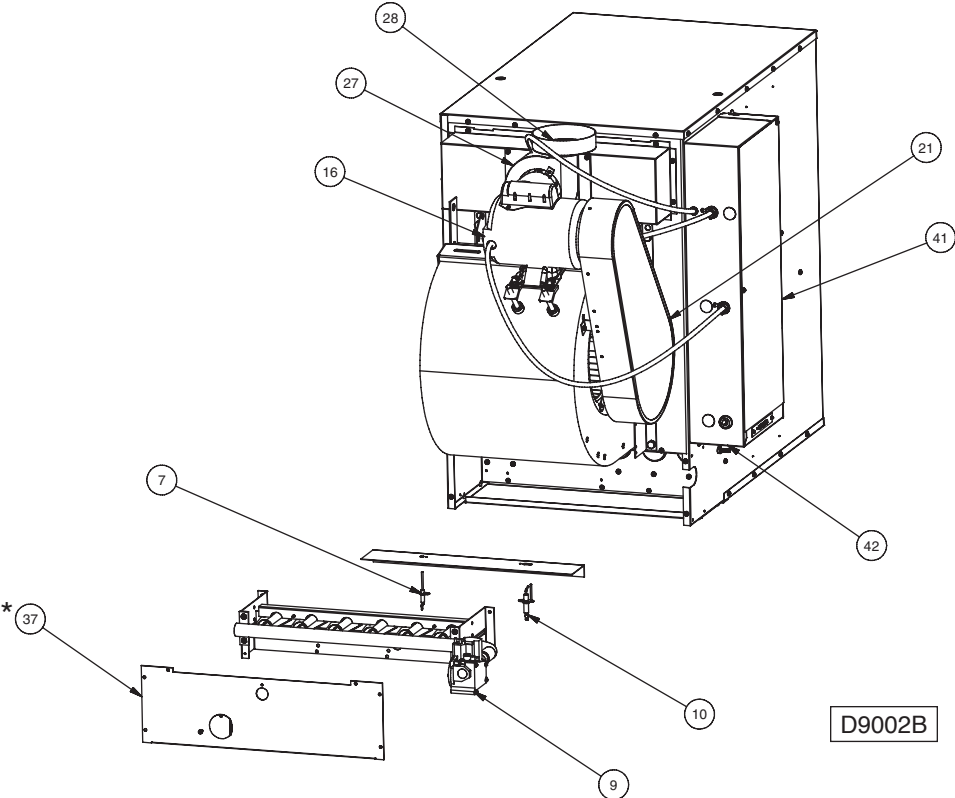


Figure 28 – Rear View



* Item #37 is part of the larger Bottom Jacket Panel & Burner Cover Assembly

SC SERIES 100-400 MBH REPLACEMENT PARTS

Figure 29 – Front View

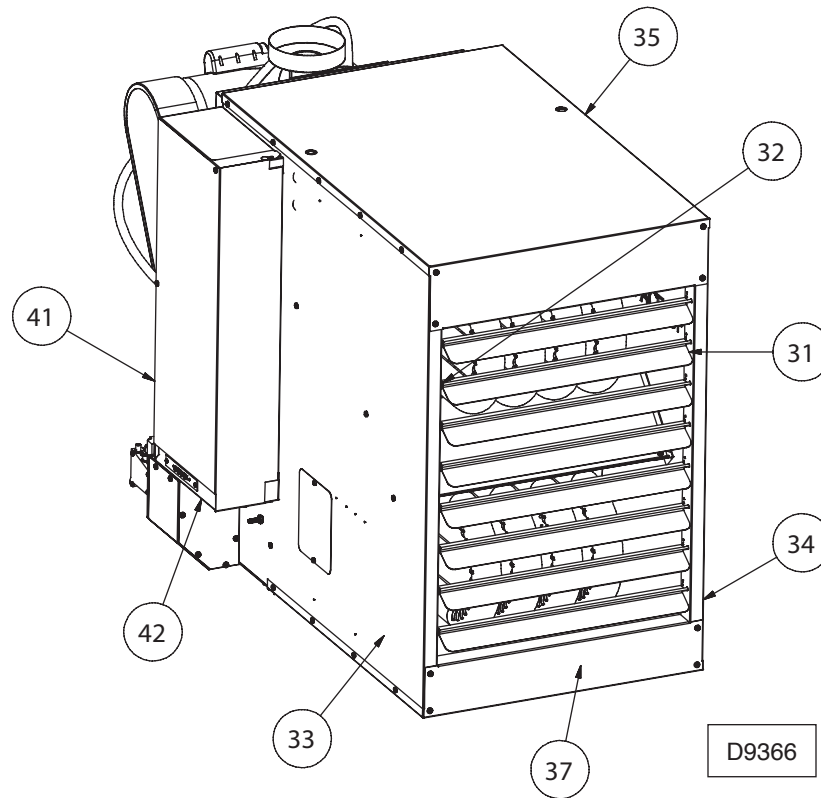
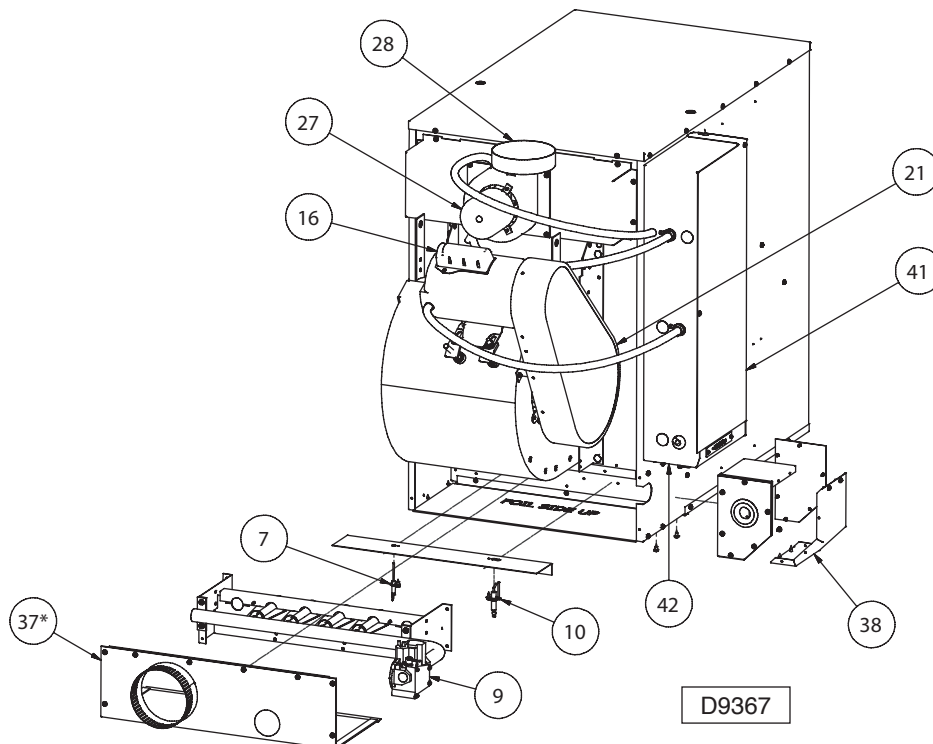


Figure 30 – Rear View



* Item #37 is part of the larger Bottom Jacket Panel & Burner Cover Assembly

TC, SC SERIES 100-400 MBH REPLACEMENT PARTS

Figure 31 – Exploded View - Less Jacketry and Controls, Single Blower

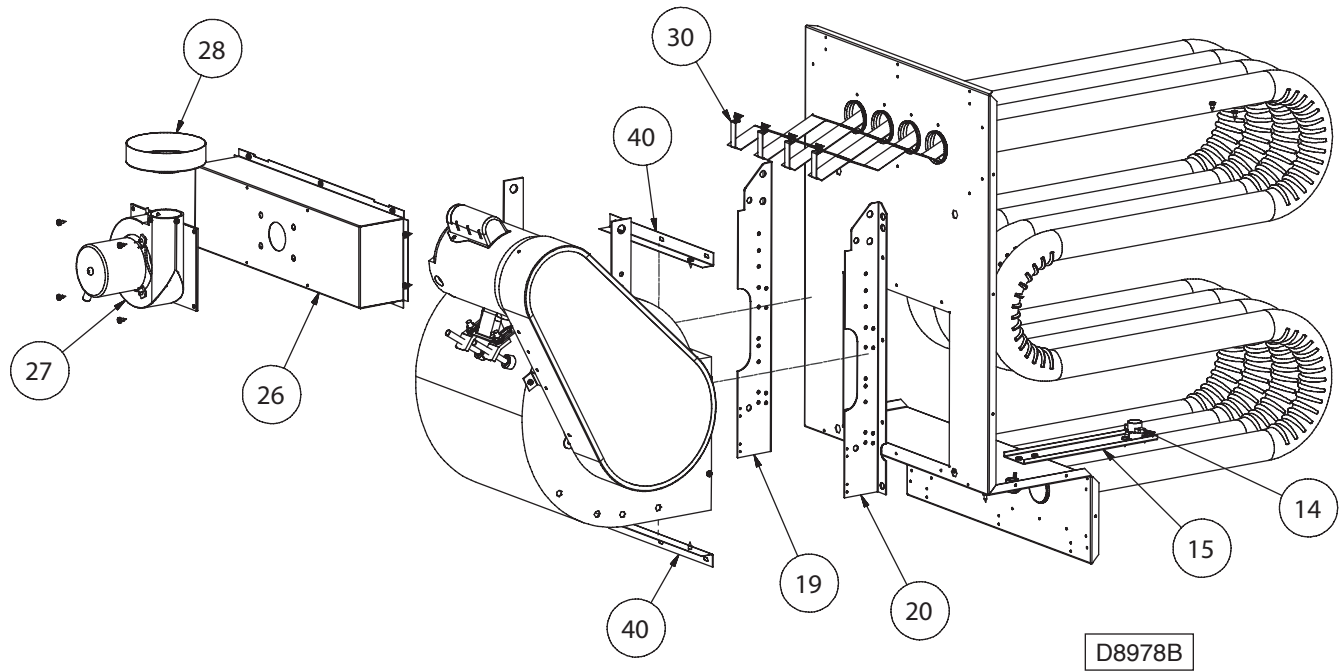
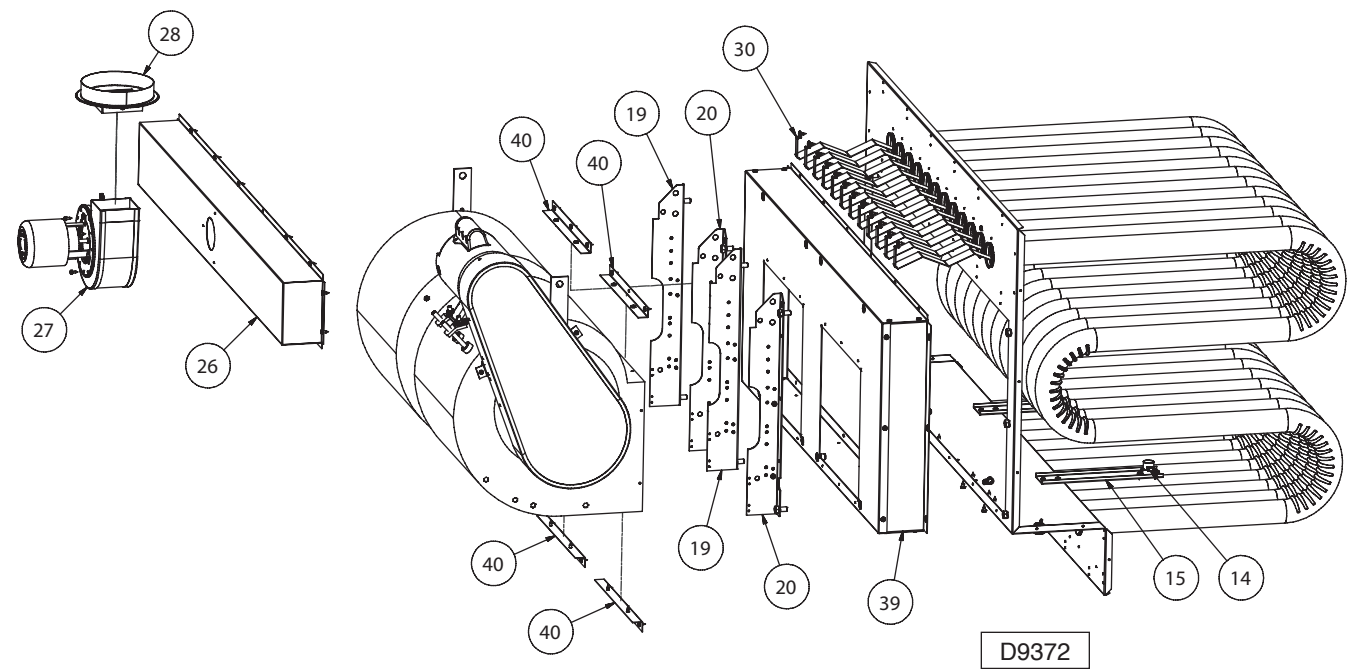


Figure 32 – Exploded View - Less Jacketry and Controls, Dual Blower



TC, SC SERIES 100-400 MBH REPLACEMENT PARTS

Figure 33 – Vestibule Panel/Tube Assembly (Heat Exchanger)

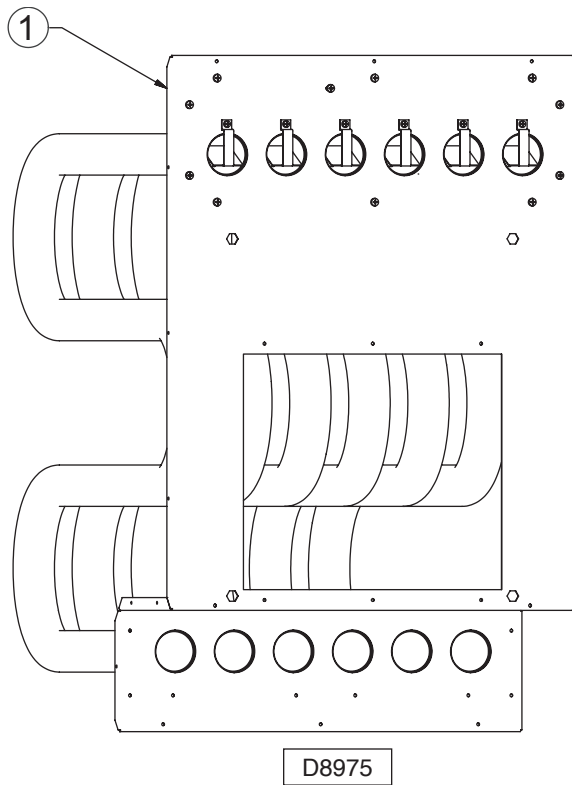


Figure 34 – Electrical Control Panel

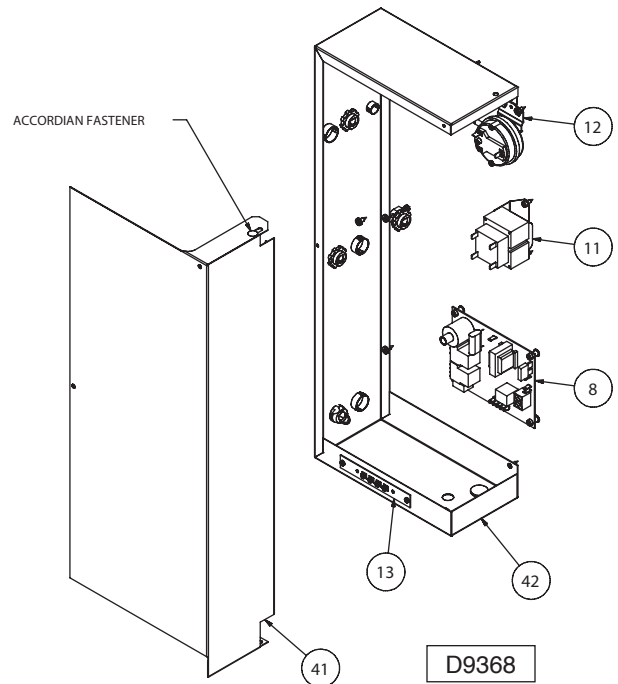


Figure 35 – Manifold Burner Assembly

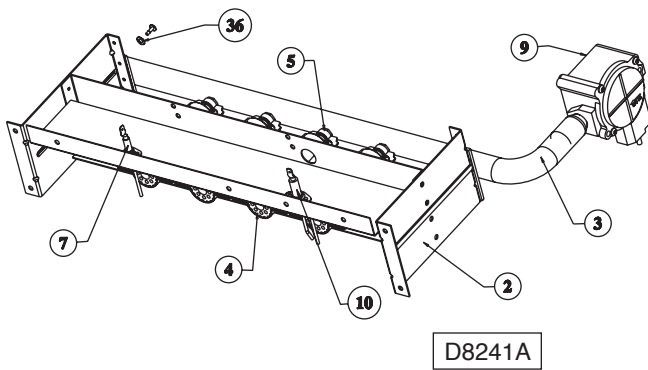
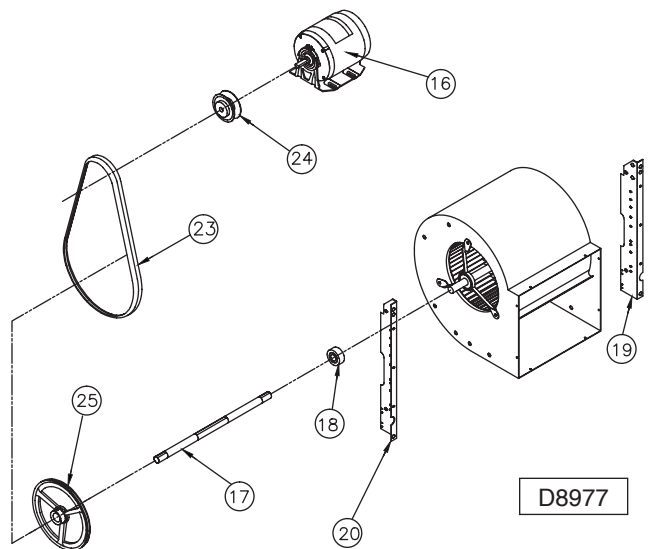


Figure 36 – Blower Assembly



TC, SC SERIES 100-400 MBH REPLACEMENT PARTS

ITEM NO.	UNIT CAPACITY (MBH)				100	125
	NO. OF TUBES, TURBULATORS, BURNERS, ORIFICES REQ'D PER CAPACITY				4	5
	ITEM DESCRIPTION			TC	SC	PART NO.
1	Vestibule Panel/Tube Ass'y (Heat Exchanger) ¹	Aluminized Steel	X	X	11507R08879-004	11507R08879-005
		409 Stainless Steel	Opt'l	Opt'l	11507R08879-104	11507R08879-105
2	Manifold Bracket Sub-Ass'y		X	X	11261R04965-004	
3	Manifold		X	X	11J37R04277	11J37R04278
4	Inshot Burner	Aluminized Steel	X	X	11J37R03935	11J37R03935
		304L Stainless Steel	Opt'l	Opt'l	11J37R06754	11J37R06754
5	Standard Orifice	Natural Gas (#42)	X	X	11J36R04694-028	11J36R04694-028
		Propane (LP) Gas (#53)	Opt'l	Opt'l	11512R08532-013	11512R08532-013
7	Flame Sensor		X	X	11J38R06890-003	
8	Control Board		X	X	11J28R06881	
9	Direct Spark Gas Valve, Single Stage ²	Natural Gas	X	X	11J28R06892-001	
		Propane (LP) Gas	Opt'l	Opt'l	11J28R06892-002	
	Direct Spark Gas Valve, Two Stage ²	Natural Gas	Opt'l	Opt'l	11J28R06894-001	
		Propane (LP) Gas	Opt'l	Opt'l	11J28R06894-002	
10	Spark Ignitor		X	X	11J38R06891-001	
11	Transformer, 50 VA, 115/24		X	X	11J14R03245-012	
12	Air Pressure Switch	Std Alt (0-4,999 ft)	X	N/A	11J11R06779-001	
		High Alt (5,000 ft+)	Opt'l	N/A	11J11R06780-001	
		Std Alt (0-4,999 ft)	N/A	X	11J11R06778-003	
		High Alt (5,000 ft+)	N/A	Opt'l	11J11R06778-005	
13	Terminal Block Plate		X	X	11J11R04609	
14	High Limit Switch [Qty Req'd per Capacity]		X	X	11J11R00306-002 [1]	
15	High Limit Bracket [Qty Req'd per Capacity]		X	X	11252R04469 [1]	
16	Blower Motor		X	X	See Page 30 - Blower Motors	
	Blower Assembly ³ [Qty Req'd]		X	X	11J35R08621 [1]	11J35R08622 [1]
17	Blower Shaft ⁴		X	X	Avail as Kit only	11J35R00540-002
18	Main Bearing ⁴ [Qty Req'd]		X	X	Avail as Kit only	11J42R00433-008 [2]
19	Blower Housing Support (LH)		X	X	11252R03490-001	
20	Blower Housing Support (RH)		X	X	11252R03490-002	
21	Belt Guard		X	X	11253R04403-001	11253R04403-002
23	V-Belt Standard		X	X	11J47RA47	11J47RA41
24	Drive Pulley (Standard) - A.K.A. Motor Sheave		X	X	11J35R1VL44X1/2	11J35R1VL44X5/8
25	Driven Pulley (Standard) - A.K.A. Blower Pulley		X	X	11J35RAL84X3/4K	
26	Flue Collector ⁵	Aluminized Steel	X	N/A	11507R03918-004	11507R03918-005
		409 Stainless Steel	Opt'l	N/A	11507R03918-104	11507R03918-105
		Aluminized Steel	N/A	X	11507R03918-004	11507R03918-005
		409 Stainless Steel	N/A	Opt'l	11507R03918-104	11507R03918-105
27	Power Venter Assembly		X	X	11J35R04700	
28	Flue Collar Assembly		X	X	11257R05062	
30	Turbulator ¹		X	X	11501R03893	11501R03893
31	Louver [8 Req'd per Capacity]		X	X	11257R04587-108	
32	Louver Spring [8 Req'd per Capacity]		X	X	11J26R01960	
33	Right Side Jacket Panel w/ Insulation		X	X	11251R08909-10R	
34	Left Side Jacket Panel w/ Insulation		X	X	11251R08909-10L	
35	Top Jacket Panel w/ Insulation		X	X	11251R06364-004	
37	Bottom Jacket Panel w/ Insulation & Burner Cover Assembly		X	X	11257R09063-004	
38	Separated Combustion Chamber ⁶		N/A	X	11257R09056-004	
39	Blower Mounting Extension Assembly		X	X	N/A	
40	Blower Block Off Bracket [Qty Req'd]		X	X	11252R08921 [2]	11252R08922 [2]
41	Electrical Control Box Cover		X	X	11257R08990	
42	Electrical Control Box Base (Wrapper)		X	X	11257R08991	
36	Washer [4 per Unit]		X	X	11J24R00326-005	
N/S	Green Ground Screw		X	X	11J21R01287	
N/S	Vinyl Tubing (Pressure Switch)		X	X	11261R04964-002	
N/S	Molex Connector Assembly		X	X	11J11R06887-001	
N/S	Ignition Cable - 36 Inches Long		X	X	11J28R06971-002	

Notes:

- Turbulators are included in Vestibule Panel/Tube Assembly (Heat Exchanger).
- If replacing the direct spark gas valve on a 250 MBH unit manufactured before September 23, 2013, choose the gas valve listed above for 300 MBH units.
- Blower Assembly includes housing, wheel, and bearing (spider) brackets. 11J35R08621 also includes shaft and bearings.
- Blower Assembly parts not sold separately for 100 MBH units.
- When replacing a flue collector, make sure that the flue collector box is sealed completely to the vestibule panel using RTV sealant.
- Field assembly required.

LEGEND: N/S - Part Not Shown, N/A - Not Applicable, Opt'l - Optional Equipment

150	175	200	250	300	350	400	ITEM NO.
6	7	8	10	12	14	16	
PART NO.							
11507R08879-006	11507R08879-007	11507R08879-008	11507R08879-010	11507R08879-012	11507R08879-014	11507R08879-016	1
11507R08879-106	11507R08879-107	11507R08879-108	11507R08879-110	11507R08879-112	11507R08879-114	11507R08879-116	
11261R04965-004	11261R04965-007			11261R04965-012			2
11J37R04278	11J37R04279		11J37R04280	11J37R04281	11J37R04282	11J37R04283	3
11J37R03935	11J37R03935	11J37R03935	11J37R03935	11J37R03935	11J37R03935	11J37R03935	4
11J37R06754	11J37R06754	11J37R06754	11J37R06754	11J37R06754	11J37R06754	11J37R06754	
11J36R04694-028	11J36R04694-028	11J36R04694-028	11J36R04694-028	11J36R04694-028	11J36R04694-028	11J36R04694-028	5
11512R08532-013	11512R08532-013	11512R08532-013	11512R08532-013	11512R08532-013	11512R08532-013	11512R08532-013	
11J38R06890-003							7
11J28R06881							8
11J28R06892-001				11J28R06893-001			9
11J28R06892-002				11J28R06893-002			
11J28R06894-001				11J28R06895-001			
11J28R06894-002				11J28R06895-002			
11J38R06891-001							10
11J14R03245-012							11
11J11R06779-001	11J11R06779-002			11J11R06779-001			12
11J11R06780-001	11J11R06780-002			11J11R06780-001			
11J11R06778-003	11J11R06778-004			11J11R06778-003			
11J11R06778-005	11J11R06778-006			11J11R06778-005			
11J11R04609							13
11J11R00306-002 [1]				11J11R00306-002 [2]			14
11252R04469 [1]				11252R04469 [2]			15
See Page 30 - Blower Motors							16
11J35R08622 [1]	11J35R08623 [1]			11J35R08622 [2]	11J35R08623 [2]		
11J35R00540-002	11J35R00540-003			11J35R01974	11J35R01975		17
11J42R00433-008 [2]	11J42R00433-009 [2]			11J42R00433-008 [3]	11J42R00433-009 [3]		18
11252R03490-001							19
11252R03490-002							20
11253R04403-002	11253R04403-003			11253R04403-002	11253R04403-003		21
11J47RA47	11J47RA43			11J47RA41	11J47RA44	11J47RA46	23
11J35R1VL44X5/8	11J35R1VL34X5/8		11J35R1VL44X5/8			11J35R1VL34X5/8	24
11J35RAL84X3/4K	11J35RAL84X1KEY			11J35RAL84X3/4K	11J35RAL84X1KEY		25
11507R03918-006	11507R03920-007	11507R03920-008	11507R03920-010	11507R03922-012	11507R03922-014	11507R03922-016	26
11507R03918-106	11507R03920-107	11507R03920-108	11507R03920-110	11507R03922-112	11507R03922-114	11507R03922-116	
11507R03918-006	11507R03920-007	11507R03920-008	11507R03920-010	11507R03922-012	11507R03922-014	11507R08997-016	
11507R03918-106	11507R03920-107	11507R03920-108	11507R03920-110	11507R03922-112	11507R03922-114	11507R08997	
11J35R04700	11J35R04581			11507R04595			27
11257R05062	11507R04532			11507R04600			28
11501R03893	11501R03893	11501R03893	11501R03893	11501R03893	11501R03893	11501R03893	30
11257R04587-108	11257R04587-109			11257R04587-110			31
11J26R01960							32
11251R08909-10R							33
11251R08909-10L							34
11251R06364-004	11251R06364-007			11251R06364-012			35
11257R09063-004	11257R09063-007			11257R09063-012			37
11257R09056-004				11257R09056-010			38
N/A	11510R08841-007			11510R08841-012	11510R08841-014		39
11252R08922 [2]	11252R08923 [2]			11252R08922 [4]	11252R08923 [4]		40
11257R08990							41
11257R08991							42
11J24R00326-005							36
11J21R01287							N/S
11261R04964-002	11261R04964-003			11261R04964-004			N/S
11J11R06887-001							N/S
11J28R06971-002							N/S

XC, TC, SC SERIES 100-400 MBH REPLACEMENT PARTS BLOWER MOTORS

All replacement blower motor part numbers: 11J31R00XXX-XXX
Complete the part number by making appropriate selection below.

[SV] Supply Voltage		[1] - 115/1/60				[2] - 208/1/60				[3] - 230/1/60			
[MT] Motor Type		[1] ODP	[2] TE	[3] PEODP	[4] PETE	[1] ODP	[2] TE	[3] PEODP	[4] PETE	[1] ODP	[2] TE	[3] PEODP	[4] PETE
[MS] Motor Size	1/4 HP	101-001	201-001	301-001	401-001	101-002	201-002	N/A	401-001	101-002	201-001	301-003	401-001
	1/2 HP	103-001	203-001	303-001	403-001	103-002	N/A	303-001	N/A	103-002	203-001	303-001	403-001
	3/4 HP	104-001	204-001	304-001	404-001	104-002	204-001	304-001	N/A	104-002	204-001	304-001	404-001
	1 HP	105-001	205-001	305-001	405-001	105-001	205-001	N/A	N/A	105-001	205-001	305-001	405-001
	1-1/2 HP	106-001	206-001	306-001	406-001	106-001	206-001	N/A	N/A	106-001	206-001	306-001	406-001
	2 HP	107-001	207-001	307-001	407-001	107-002	207-001	N/A	N/A	107-001	207-003	307-001	407-001
[SV] Supply Voltage		[4] - 208/3/60				[5] - 230/3/60				Motor Type [MT] Legend: ODP - Open Drip Proof TE - Totally Enclosed PEODP - Premium Efficiency Open Drip Proof PETE - Premium Efficiency Totally Enclosed			
[MT] Motor Type		[1] ODP	[2] TE	[3] PEODP	[4] PETE	[1] ODP	[2] TE	[3] PEODP	[4] PETE				
[MS] Motor Size	1/4 HP	101-004	201-004	N/A	N/A	101-004	201-004	N/A	N/A				
	1/2 HP	103-004	203-004	303-004	403-004	103-004	203-004	303-004	403-004				
	3/4 HP	104-004	204-004	304-004	N/A	104-004	204-004	304-004	404-005				
	1 HP	105-004	205-004	305-004	405-004	105-004	205-004	305-004	405-004				
	1-1/2 HP	106-004	206-004	306-004	406-004	106-004	206-004	306-004	406-005				
	2 HP	107-004	N/A	307-004	407-004	107-004	N/A	307-004	407-004				
[SV] Supply Voltage		[6] - 460/3/60				[7] - 575/3/60							
[MT] Motor Type		[1] ODP	[2] TE	[3] PEODP	[4] PETE	[1] ODP	[2] TE	[3] PEODP	[4] PETE				
[MS] Motor Size	1/4 HP	101-004	201-004	N/A	N/A	N/A	N/A	N/A	N/A				
	1/2 HP	103-004	203-004	303-006	403-004	103-007	203-007	N/A	N/A				
	3/4 HP	104-004	204-004	304-004	404-005	104-007	204-007	N/A	N/A				
	1 HP	105-004	205-004	305-004	405-004	105-007	205-007	305-007	405-007				
	1-1/2 HP	106-004	206-004	306-004	406-005	106-007	N/A	306-007	406-007				
	2 HP	107-006	N/A	307-006	407-006	N/A	N/A	307-007	407-007				

Note: All motors supplied with CONTACTOR ONLY [MS = A, C, D, F, G, H] use contactor
11J10R06276-015

XC, TC, SC SERIES 100-400 MBH REPLACEMENT PARTS MAGNETIC STARTER COMPONENTS

Note: Magnetic Starters consist of a contactor and overload relay.

[SV] Supply Voltage	HP	[MT] Motor Type							
		[1] ODP		[2] TE		[3] PEODP		[4] PETE	
		Contactor	Overload	Contactor	Overload	Contactor	Overload	Contactor	Overload
[1] 115/1/60	1/4	11J10R06276-015	11J10R06277-022	11J10R06276-015	11J10R06277-021	11J10R06276-015	11J10R06277-021	11J10R06276-015	11J10R06277-021
	1/2	11J10R06276-015	11J10R06277-022	11J10R06276-015	11J10R06277-022	11J10R06276-015	11J10R06277-022	11J10R06276-015	11J10R06277-021
	3/4	11J10R06276-015	11J10R06277-022	11J10R06276-015	11J10R06277-022	11J10R06276-015	11J10R06277-022	11J10R06276-015	11J10R06277-022
	1	11J10R06276-015	11J10R06277-022	11J10R06276-015	11J10R06277-022	11J10R06276-015	11J10R06277-022	11J10R06276-015	11J10R06277-022
	1-1/2	11J10R06276-015	11J10R06277-022	11J10R06276-015	11J10R06277-022	11J10R06276-015	11J10R06277-022	11J10R06276-015	11J10R06277-022
	2	11J10R06276-015	11J10R06277-023	11J10R06276-015	11J10R06277-023	11J10R06276-015	11J10R06277-022	11J10R06276-015	11J10R06277-022
[2] 208/1/60	1/4	11J10R06276-015	11J10R06277-021	11J10R06276-015	11J10R06277-021	N/A	N/A	11J10R06276-015	11J10R06277-021
	1/2	11J10R06276-015	11J10R06277-021	11J10R06276-015	11J10R06277-022	11J10R06276-015	11J10R06277-021	N/A	N/A
	3/4	11J10R06276-015	11J10R06277-022	11J10R06276-015	11J10R06277-022	11J10R06276-015	11J10R06277-022	N/A	N/A
	1	11J10R06276-015	11J10R06277-022	11J10R06276-015	11J10R06277-022	N/A	N/A	N/A	N/A
	1-1/2	11J10R06276-015	11J10R06277-022	11J10R06276-015	11J10R06277-022	N/A	N/A	N/A	N/A
	2	11J10R06276-015	11J10R06277-022	11J10R06276-015	11J10R06277-023	N/A	N/A	N/A	N/A
[3] 230/1/60	1/4	11J10R06276-015	11J10R06277-021	11J10R06276-015	11J10R06277-021	11J10R06276-015	11J10R06277-021	11J10R06276-015	11J10R06277-021
	1/2	11J10R06276-015	11J10R06277-021	11J10R06276-015	11J10R06277-022	11J10R06276-015	11J10R06277-021	11J10R06276-015	11J10R06277-021
	3/4	11J10R06276-015	11J10R06277-022	11J10R06276-015	11J10R06277-022	11J10R06276-015	11J10R06277-022	11J10R06276-015	11J10R06277-021
	1	11J10R06276-015	11J10R06277-022	11J10R06276-015	11J10R06277-022	11J10R06276-015	11J10R06277-022	11J10R06276-015	11J10R06277-022
	1-1/2	11J10R06276-015	11J10R06277-022	11J10R06276-015	11J10R06277-022	11J10R06276-015	11J10R06277-022	11J10R06276-015	11J10R06277-022
	2	11J10R06276-015	11J10R06277-023	11J10R06276-015	11J10R06277-022	11J10R06276-015	11J10R06277-022	11J10R06276-015	11J10R06277-022
[4] 208/3/60	1/4	11J10R06276-015	11J10R06277-021	11J10R06276-017	11J10R06277-025	N/A	N/A	N/A	N/A
	1/2	11J10R06276-015	11J10R06277-021	11J10R06276-015	11J10R06277-021	11J10R06276-015	11J10R06277-021	11J10R06276-015	11J10R06277-021
	3/4	11J10R06276-015	11J10R06277-021	11J10R06276-015	11J10R06277-021	11J10R06276-015	11J10R06277-021	N/A	N/A
	1	11J10R06276-015	11J10R06277-021	11J10R06276-015	11J10R06277-021	11J10R06276-015	11J10R06277-021	11J10R06276-015	11J10R06277-021
	1-1/2	11J10R06276-015	11J10R06277-022	11J10R06276-015	11J10R06277-021	11J10R06276-015	11J10R06277-021	11J10R06276-015	11J10R06277-022
	2	11J10R06276-015	11J10R06277-022	N/A	N/A	11J10R06276-015	11J10R06277-022	11J10R06276-015	11J10R06277-022
[5] 230/3/60	1/4	11J10R06276-015	11J10R06277-021	11J10R06276-017	11J10R06277-025	N/A	N/A	N/A	N/A
	1/2	11J10R06276-015	11J10R06277-021	11J10R06276-015	11J10R06277-021	11J10R06276-015	11J10R06277-021	11J10R06276-015	11J10R06277-021
	3/4	11J10R06276-015	11J10R06277-021	11J10R06276-015	11J10R06277-021	11J10R06276-015	11J10R06277-021	11J10R06276-015	11J10R06277-021
	1	11J10R06276-015	11J10R06277-021	11J10R06276-015	11J10R06277-021	11J10R06276-015	11J10R06277-021	11J10R06276-015	11J10R06277-021
	1-1/2	11J10R06276-015	11J10R06277-022	11J10R06276-015	11J10R06277-021	11J10R06276-015	11J10R06277-021	11J10R06276-015	11J10R06277-021
	2	11J10R06276-015	11J10R06277-022	N/A	N/A	11J10R06276-015	11J10R06277-022	11J10R06276-015	11J10R06277-022
[6] 460/3/60	1/4	11J10R06276-017	11J10R06277-025	11J10R06276-017	11J10R06277-025	N/A	N/A	N/A	N/A
	1/2	11J10R06276-015	11J10R06277-021	11J10R06276-015	11J10R06277-021	11J10R06276-017	11J10R06277-025	11J10R06276-015	11J10R06277-021
	3/4	11J10R06276-015	11J10R06277-021	11J10R06276-015	11J10R06277-021	11J10R06276-015	11J10R06277-021	11J10R06276-015	11J10R06277-021
	1	11J10R06276-015	11J10R06277-021	11J10R06276-015	11J10R06277-021	11J10R06276-015	11J10R06277-021	11J10R06276-015	11J10R06277-021
	1-1/2	11J10R06276-015	11J10R06277-022	11J10R06276-015	11J10R06277-021	11J10R06276-015	11J10R06277-021	11J10R06276-015	11J10R06277-021
	2	11J10R06276-015	11J10R06277-021	N/A	N/A	11J10R06276-015	11J10R06277-021	11J10R06276-015	11J10R06277-021
[7] 575/3/60	1/4	N/A	N/A	N/A	N/A	N/A	N/A	N/A	N/A
	1/2	11J10R06276-017	11J10R06277-025	11J10R06276-017	11J10R06277-025	N/A	N/A	N/A	N/A
	3/4	11J10R06276-015	11J10R06277-021	11J10R06276-015	11J10R06277-021	N/A	N/A	N/A	N/A
	1	11J10R06276-015	11J10R06277-021	11J10R06276-015	11J10R06277-021	11J10R06276-015	11J10R06277-021	11J10R06276-015	11J10R06277-021
	1-1/2	11J10R06276-015	11J10R06277-021	N/A	N/A	11J10R06276-015	11J10R06277-021	11J10R06276-015	11J10R06277-021
	2	N/A	N/A	N/A	N/A	11J10R06276-015	11J10R06277-021	11J10R06276-015	11J10R06277-021

Motor Type [MT] Legend:

ODP - Open Drip Proof

TE - Totally Enclosed

PEODP - Premium Efficiency Open Drip Proof

PETE - Premium Efficiency Totally Enclosed

TD SERIES

TUBULAR GAS FIRED DUCT FURNACE

UNIT NUMBER DESCRIPTION

Digit	T	X	X	X	1	2	3	4	5	6	7	8	9	10	11	12	13	14	15	+
Item	Prefix				UT	CA			FT	FM	GT	AL	GC	SV	MT	MS	DL	AS		

(Internal Use Only)

1, 2 - Unit Type [UT]
TD - Tubular Duct Furnace

- 3, 4, 5 - Capacity [CA]**
100 - 100,000 BTU/HR
150 - 150,000 BTU/HR
200 - 200,000 BTU/HR
250 - 250,000 BTU/HR
300 - 300,000 BTU/HR
350 - 350,000 BTU/HR
400 - 400,000 BTU/HR

- 6 - Furnace Type [FT]**
A - Left Side Access
Note: Field convertible to right side access; refer to unit installation instructions.

- 7 - Heat Exchanger (Furnace) Material [FM]**
1 - Standard (Aluminized) Steel
2 - 409 Stainless Steel
Note: Heat Exchanger Material [FM] selection includes flue collector material.

- 8 - Gas Type [GT]**
N - Natural Gas
P - Propane Gas (LP)

- 9 - Altitude [AL]**
S - 0-4,999 ft.
T - 5,000-11,999 ft.
Note: Installations over 2,000 ft. require gas input deration in the field. Refer to unit installation instructions.

- 10 - Direct Spark Gas Control [GC]**
1 - Single Stage
2 - Two Stage
3 - Electronic Modulation w/Room Sensing
4 - Electronic Modulation w/Duct Sensing
5 - Electronic Modulation w/Duct Sensing & Room Ovrd. Stat
6 - Electronic Modulation w/External 4-20 mA Input
7 - Electronic Modulation w/External 0-10 VDC Input

- 11 - Supply Voltage [SV]**
1 - 115/1/60 **5** - 230/3/60
2 - 208/1/60 **6** - 460/3/60
3 - 230/1/60 **7** - 575/3/60
4 - 208/3/60 **Z** - Special
Note: Supply Voltages [SV] 2-7 include field mounted step down transformer.

- 12 - Motor Type [MT]**
0 - Not applicable

- 13 - Blower Motor Sizes [MS]**
0 - Not applicable

- 14 - Design Level [DL]**
A - First Design Level

15+ - Accessories [AS]

- FACTORY INSTALLED**
K5 - Airflow Prove Switch
P4 - Terminal Block Wiring
P6 - Summer/Winter Switch

- S5** - 409 Stainless Steel Burners

- † **FIELD INSTALLED (11AS-____)**
† **All Field Installed Accessories are to be entered as a separate line item using catalog number which utilizes "11AS" as a prefix. i.e: G3 becomes 11AS-G3.**

- A7** - High Pressure Regulator
A7- 1/2-1 Regulator for 0.5-10 PSI
A7- 3/8-1 Regulator for 10-20 PSI
A7- 5/16-1 Regulator for 20-35 PSI

- F1** - 1-Stage T675A Ductstat
F2 - 2-Stage T678A Ductstat

- G1** - 1-Stage Mercury Free Thermostat (Round)
G2 - 1-Stage Mercury Free Thermostat w/Guard Kit
G3 - 1-Stage Mercury Free Thermostat w/Fan Switch
G5 - 2-Stage Mercury Free Thermostat w/Fan Switch
G6 - Locking Thermostat Cover
G9 - 1-Stage Mercury Free Heating Only Thermostat
GW - WiFi Thermostat TH8321WF1001/U

- H5** - Low Ambient Control

- M2-2** - Vent Caps (5") (Capacity 100-200)
M2-3 - Vent Caps (6") (Capacity 250-400)

- P5** - 24V SPST Relay-Specify Purpose

- S4** - Stainless Steel Drip Pan

- X5** - Horizontal and Vertical Louver Kit
X8-H5 - Horiz. Combustion Air Inlet Kit, 5 inch (Capacity 100-200)
X8-H6 - Horiz. Combustion Air Inlet Kit, 6 inch (Capacity 250-400)
X8-V5 - Vert. Combustion Air Inlet Kit, 5 inch (Capacity 100-200)
X8-V6 - Vert. Combustion Air Inlet Kit, 6 inch (Capacity 250-400)
X9-DBL-5 - Air Inlet Kit, 5 inch (Capacity 100-200)
X9-DBL-6 - Air Inlet Kit, 6 inch (Capacity 250-400)

TD SERIES 100-400 MBH REPLACEMENT PARTS

Figure 37 – Exploded View

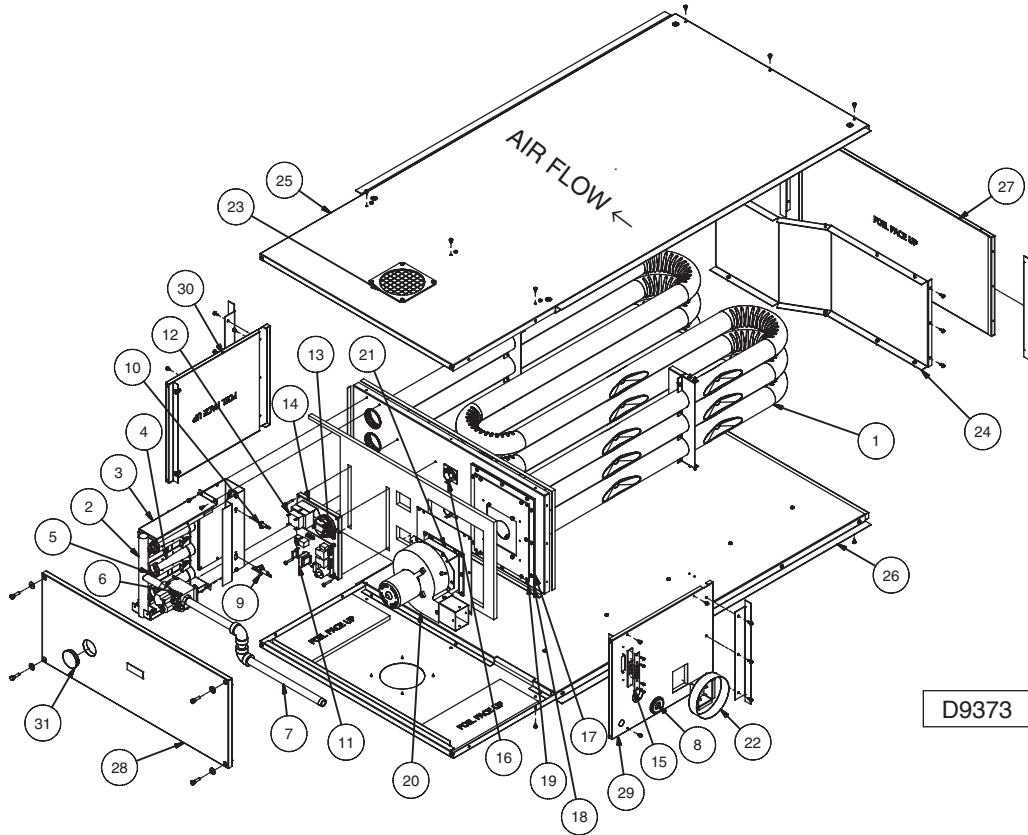
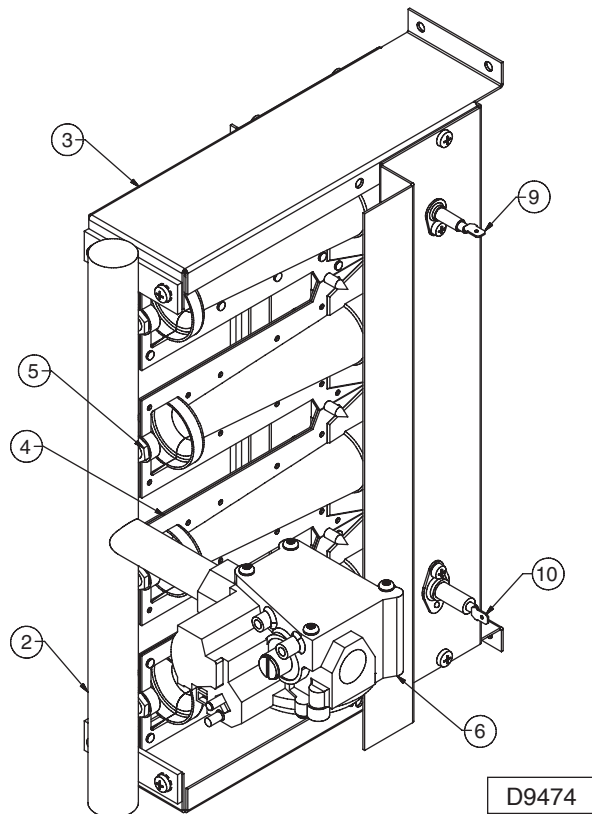


Figure 38 – Manifold Burner Assembly



TD SERIES 100-400 MBH REPLACEMENT PARTS

ITEM NO.	UNIT CAPACITY (MBH)		100
	NO. OF TUBES, BURNERS, ORIFICES REQ'D PER CAPACITY		2
	ITEM DESCRIPTION		PART NO.
1	Vestibule Panel/Tube Ass'y (Heat Exchanger) ¹ (includes Flue Collector)	Aluminized Steel	11507R09171-100
		409 Stainless Steel	11507R09171S100
2	Manifold		11J37R09190-100
3	Manifold Bracket Sub-Ass'y		11503R09191-100
4	Inshot Burner	Aluminized Steel	11J37R08258-001
		409 Stainless Steel	11J37R08258-002
5	Standard Orifice	Natural Gas (3.4mm)	11262R04694-3.4
		Propane (LP) Gas (#45)	11512R08532-024
6	Direct Spark Gas Valve, Single Stage	Natural Gas	11J28R06892-001
		Propane (LP) Gas	11J28R06892-002
	Direct Spark Gas Valve, Two Stage	Natural Gas	11J28R06894-001
		Propane (LP) Gas	11J28R06894-002
7	Gas Inlet Pipe		11503R09442-001
8	Gas Inlet Grommet		11J07R02872-001
9	Flame Sensor		11J38R06890-003
10	Spark Ignitor		11J38R06891-001
11	Control Board		11J28R06881
12	Transformer, 50 VA, 115/24		11J14R03245-012
13	Air Pressure Switch	Std Alt (0-4,999 ft)	11J11R06780-010
		High Alt (5,000 ft+)	11J11R06780-008
14	Control Sub-Panel		11257R09239
15	Terminal Block Plate		11J11R04609
16	High Limit Switch [Qty Req'd per Capacity]		11J11R09359 [1]
17	Flue Collector ¹		
18	Flue Collector Gasket ¹		11262R09418-100
19	Flue Collector Cover Panel ¹	Aluminized Steel	11257R09242-100
		409 Stainless Steel	11257R09242S100
20	Power Venter (Drafter) Assembly		11262R04581
N/S	Power Venter (Drafter) Gasket		11262R09401-100
21	Power Venter (Drafter) Extension/Stand-Off		11257R09224-100
22	Flue Collar Assembly		11251R09199-001
23	Air Inlet Screen		11507R09355-100
24	Baffle		11257R09185-100
25	Top Jacket Panel w/ Insulation		11251R09186-100
26	Bottom Jacket Panel w/ Insulation		11251R09184-100
27	Right Side Jacket Panel w/ Insulation		11251R09204-100
28	Left Side Jacket A.K.A. Access Panel w/ Insulation		11251R09269-100
29	Rear Jacket Panel w/ Insulation		11251R09247-100
30	Front Jacket Panel w/ Insulation		11251R09245-100
31	Peep Hole Sight Glass		11J07R08348-001
N/S	Washer [4 per Unit]		11J24R03637-001
N/S	Green Ground Screw		11J21R01287
N/S	Vinyl Tubing (Pressure Switch)		11261R04964-005
N/S	Molex Connector Assembly		11J11R06887-001
N/S	Ignition Cable - 36 Inches Long		11J28R06971-002

Notes:

1. Flue Collector, Flue Collector Gasket, Flue Collector Cover Panel are included in Vestibule Panel/Tube Assembly (Heat Exchanger).

LEGEND: N/S - Part Not Shown

150	200	250	300	350	400	ITEM NO.
3	4	5	6	7	8	
PART NO.						
11507R09171-150	11507R09171-200	11507R09171-250	11507R09171-300	11507R09171-350	11507R09171-400	1
11507R09171S150	11507R09171S200	11507R09171S250	11507R09171S300	11507R09171S350	11507R09171S400	
11J37R09190-150	11J37R09190-200	11J37R09190-250	11J37R09190-300	11J37R09190-350	11J37R09190-400	2
11503R09191-150	11503R09191-200	11503R09191-250	11503R09191-300	11503R09191-350	11503R09191-400	3
11J37R08258-001	11J37R08258-001	11J37R08258-001	11J37R08258-001	11J37R08258-001	11J37R08258-001	4
11J37R08258-002	11J37R08258-002	11J37R08258-002	11J37R08258-002	11J37R08258-002	11J37R08258-002	
11262R04694-3.4						5
11512R08532-024						
11J28R06892-001	11J28R06893-001					6
11J28R06892-002	11J28R06893-002					
11J28R06894-001	11J28R06895-001					
11J28R06894-002	11J28R06895-002					
11503R09442-001	11503R09442-002					7
11J07R02872-001	11J07R02872-002					8
11J38R06890-003						9
11J38R06891-001						10
11J28R06881						11
11J14R03245-012						12
11J11R06780-010	11J11R06780-007	11J11R06779-002				13
11J11R06780-008	11J11R06780-010	11J11R06780-002				
11257R09239						14
11J11R04609						15
11J11R09359 [2]	11J11R09359 [2]	11J11R09359 [1]	11J11R09359 [2]	11J11R09359 [2]	11J11R09359 [2]	16
Included in Vestibule Panel/Tube Assembly - Not Available Separately						17
11262R09418-100		11262R09418-250				18
11257R09242-150	11257R09242-200	11257R09242-250	11257R09242-300	11257R09242-350	11257R09242-400	19
11257R09242S150	11257R09242S200	11257R09242S250	11257R09242S300	11257R09242S350	11257R09242S400	
11262R04581		1270R0120.03				20
11262R09401-100		11262R09401-250				N/S
11257R09224-100		11257R09224-250				21
11251R09199-001		11251R09199-002				22
11507R09355-100		11507R09355-250				23
11257R09185-150	11257R09185-200	11257R09185-250	11257R09185-300	11257R09185-350	11257R09185-400	24
11251R09186-100		11251R09186-250				25
11251R09184-100		11251R09184-250				26
11251R09204-150	11251R09204-200	11251R09204-250	11251R09204-300	11251R09204-350	11251R09204-400	27
11251R09269-150	11251R09269-200	11251R09269-250	11251R09269-300	11251R09269-350	11251R09269-400	28
11251R09247-150	11251R09247-200	11251R09247-250	11251R09247-300	11251R09247-350	11251R09247-400	29
11251R09245-150	11251R09245-200	11251R09245-250	11251R09245-300	11251R09245-350	11251R09245-400	30
11J07R08348-001						31
11J24R03637-001						N/S
11J21R01287						N/S
11261R04964-005						N/S
11J11R06887-001						N/S
11J28R06971-002						N/S

XF, XC, TF, TC, SF, SC, TD SERIES 100-400 MBH REPLACEMENT PARTS GAS CONTROL OPTIONS [GC]: 3-7*

ITEM DESCRIPTION	[GC] GAS CONTROL OPTION(S)	PART NO.		
		100	125**	150
UNIT CAPACITY (MBH)		100	125**	150
Maxitrol Amplifier A1010U	[3], [4], [5]	11J28R00855-005		
Maxitrol Signal Conditioner SC10C-B6S1	[6], [7]	11J28R03716		
Maxitrol MR Valve 410 1/2" Natural Gas	ALL	11J28R00760-001		
Maxitrol MR Valve 410H 1/2" Propane (LP) Gas		11J28R00760-006		
Maxitrol MR Valve 510 3/4" Natural Gas		N/A	N/A	N/A
Maxitrol MR Valve 510H 3/4" Propane (LP) Gas		N/A	N/A	N/A
Maxitrol MR Valve 610 3/4" Natural Gas		N/A	N/A	N/A
Maxitrol MR Valve 610H 3/4" Propane (LP) Gas		N/A	N/A	N/A
Maxitrol Room Sensor T120		[3]	11J13R00856	
Maxitrol Duct Sensor TS121 and MT1-12	[4], [5]	11J13R00859		
Maxitrol Remote Set Point Selector TD121	[4], [5]	11J13R00858		
Maxitrol Room Override Thermostat T115	[5]	11J13R00857		
Transformer, 40 VA, 115/24	ALL	11J14R03245-011		
Unit Capacity (MBH)		175**	200	250
Maxitrol Amplifier A1010U	[3], [4], [5]	11J28R00855-005		
Maxitrol Signal Conditioner SC10C-B6S1	[6], [7]	11J28R03716		
Maxitrol MR Valve 410 1/2" Natural Gas	ALL	N/A	N/A	N/A
Maxitrol MR Valve 410H 1/2" Propane (LP) Gas		N/A	N/A	N/A
Maxitrol MR Valve 510 3/4" Natural Gas		11J28R00760-003		
Maxitrol MR Valve 510H 3/4" Propane (LP) Gas		11J28R00760-008		
Maxitrol MR Valve 610 3/4" Natural Gas		N/A	N/A	N/A
Maxitrol MR Valve 610H 3/4" Propane (LP) Gas		N/A	N/A	N/A
Maxitrol Room Sensor T120		[3]	11J13R00856	
Maxitrol Duct Sensor TS121 and MT1-12	[4], [5]	11J13R00859		
Maxitrol Remote Set Point Selector TD121	[4], [5]	11J13R00858		
Maxitrol Room Override Thermostat T115	[5]	11J13R00857		
Transformer, 40 VA, 115/24	ALL	11J14R03245-011		
Unit Capacity (MBH)		300	350	400
Maxitrol Amplifier A1010U	[3], [4], [5]	11J28R00855-005		
Maxitrol Signal Conditioner SC10C-B6S1	[6], [7]	11J28R03716		
Maxitrol MR Valve 410 1/2" Natural Gas	ALL	N/A	N/A	N/A
Maxitrol MR Valve 410H 1/2" Propane (LP) Gas		N/A	N/A	N/A
Maxitrol MR Valve 510 3/4" Natural Gas		11J28R00760-003	N/A	N/A
Maxitrol MR Valve 510H 3/4" Propane (LP) Gas		11J28R00760-008	N/A	N/A
Maxitrol MR Valve 610 3/4" Natural Gas		N/A	11J28R00760-004	
Maxitrol MR Valve 610H 3/4" Propane (LP) Gas		N/A	11J28R00760-009	
Maxitrol Room Sensor T120		[3]	11J13R00856	
Maxitrol Duct Sensor TS121 and MT1-12	[4], [5]	11J13R00859		
Maxitrol Remote Set Point Selector TD121	[4], [5]	11J13R00858		
Maxitrol Room Override Thermostat T115	[5]	11J13R00857		
Transformer, 40 VA, 115/24	ALL	11J14R03245-011		

Notes:

* Gas Control [GC] options 4, 5 are not applicable to propeller units (XF, TF, SF Series).

** TD Series units are not available in [CA] 125, 175 MBH.

XF, XC, TF, TC, SF, SC, GF, TD SERIES 100-400 MBH REPLACEMENT PARTS FIELD/FACTORY INSTALLED ACCESSORIES AND MISC.

DESCRIPTION [ACCESSORY OPTION NO.]	PART NO.
Field Installed Options, Thermostats, Misc.	
Pressure Regulator (0.5 to 10 PSI) Natural Gas [A7-1/2-1]	11ASRA7-1/2-1
Pressure Regulator (10 to 20 PSI) Natural Gas [A7-3/8-1]	11ASRA7-3/8-1
Pressure Regulator (20 to 35 PSI) Natural Gas [A7-5/16-1]	11ASRA7-5/16-1
Single Stage T675A Ductstat [F1] (XC/TC/SC, TD Only)	11ASRF1
TwoStage T678A Ductstat [F2] (XC/TC/SC, TD Only)	11ASRF2
1-Stage Thermostat, Round [G1] *	11ASRG1
1-Stage Thermostat w/ Guard Kit [G2] *	11ASRG2
1-Stage Thermostat w/ Fan Switch [G3] *	11ASRG3
2-Stage Thermostat w/ Fan Switch [G5] *	11ASRG5
1-Stage Heating Only Thermostat [G9] *	11J13R08431
WiFi Thermostat TH8321WF1001/U [GW] *	11ASRGW
Universal Thermostat Guard/Locking Cover [G6]	11J13R00954
Low Ambient Control [H5] (Excludes GF)	11ASRH5
Vent Cap 5" (100- 250) [M2-2]	11J37R02222-002
Vent Cap 6" (300-400) [M2-3]	11J37R02222-003
24V SPST Relay [P5]	11J10R00818-003
Stainless Steel Drip Pan (TD ONLY) [S4]	11ASRS4
30 Degree Nozzle Kit (100-150) [X2-001] (Excludes GF, TD)	11ASRX2-001
30 Degree Nozzle Kit (175-250) [X2-002] (Excludes GF, TD)	11ASRX2-002
30 Degree Nozzle Kit (300-400) [X2-003] (Excludes GF, TD)	11ASRX2-003
60 Degree Nozzle Kit (100-150) [X3-001] (Excludes GF, TD)	11ASRX3-001
60 Degree Nozzle Kit (175-250) [X3-002] (Excludes GF, TD)	11ASRX3-002
60 Degree Nozzle Kit (300-400) [X3-003] (Excludes GF, TD)	11ASRX3-003
90 Degree Nozzle Kit (100-150) [X4-001] (Excludes GF, TD)	11ASRX4-001
90 Degree Nozzle Kit (175-250) [X4-002] (Excludes GF, TD)	11ASRX4-002
90 Degree Nozzle Kit (300-400) [X4-003] (Excludes GF, TD)	11ASRX4-003
Vertical Louver Kit (XF/TF/SF 100-150) [X5-104]	11ASRX5-104
Vertical Louver Kit (XF/TF/SF 175-250) [X5-107]	11ASRX5-107
Vertical Louver Kit (XF/TF/SF 300-400) [X5-112]	11ASRX5-112
Vertical Louver Kit (XC/TC/SC 100-150) [X5-304]	11ASRX5-304
Vertical Louver Kit (XC/TC/SC 175-250) [X5-307]	11ASRX5-307
Vertical Louver Kit (XC/TC/SC 300-400) [X5-312]	11ASRX5-312
Horizontal & Vertical Louver Kit (TD) [X5]	11ASRX5-[CA]**
Horizontal Combustion Air Inlet Kit, 5 Inch (XF/XC/SF/SC 100-250) [X7-H5]	11ASRX7-H5
Horizontal Combustion Air Inlet Kit, 6 Inch (XF/XC/SF/SC 300-400) [X7-H6]	11ASRX7-H6
Vertical Combustion Air Inlet Kit, 5 Inch (XF/XC/SF/SC 100-250) [X7-V5]	11ASRX7-V5
Vertical Combustion Air Inlet Kit, 6 Inch (XF/XC/SF/SC 300-400) [X7-V6]	11ASRX7-V6
Horizontal Combustion Air Inlet Kit, 5 Inch (TD 100-200) [X8-H5]	11ASRX8-H5
Horizontal Combustion Air Inlet Kit, 6 Inch (TD 250-400) [X8-H6]	11ASRX8-H6
Vertical Combustion Air Inlet Kit, 5 Inch (TD 100-200) [X8-V5]	11ASRX8-V5
Vertical Combustion Air Inlet Kit, 6 Inch (TD 250-400) [X8-V6]	11ASRX8-V6
Air Inlet Kit, 5 Inch (TD 100-200) [X9-DBL-5]	11ASRX9-DBL-5
Air Inlet Kit, 6 Inch (TD 250-400) [X9-DBL-6]	11ASRX9-DBL-6
Touch Up Paint, 12oz. Spray Can (Dark Gray)	11512R01395-001
High Temp (RTV) Sealant - 2.8oz. Tube	11H03R03612-002
* Mercury Free	
** Horizontal and Vertical Louver Kit for TD must be ordered with the unit capacity as a suffix; i.e. 11AS-X5-250 for a TD-250.	
Factory Installed Options	
Airflow Prove Switch (TD ONLY) [K5]	11ASRK5
Summer/Winter Switch [P6]	11J11R00544
Discharge Duct Flange Ass'y (XC/TC/SC 100-150) [M8]	11257R08987-004
Discharge Duct Flange Ass'y (XC/TC/SC 175-250) [M8]	11257R08987-007
Discharge Duct Flange Ass'y (XC/TC/SC 300-400) [M8]	11257R08987-012

XF, XC, TF, TC, SF, SC, GF, TD SERIES 100-400 MBH REPLACEMENT PARTS

CONVERSION KITS* FOR XF, XC, TF, TC, SF, SC, GF, TD SERIES UNITS WITH DIRECT SPARK IGNITION

(For units manufactured January 1, 2006 and After)

CONVERTING FROM NAT. GAS TO LP GAS

CONVERTING FROM LP GAS TO NAT. GAS

UNIT NO.	CONVERSION KIT NO.	UNIT NO.	CONVERSION KIT NO.
XF/XC/TF/TC/SF/SC/GF-100/400 TD-100/400	11261R06951 11CKNTPDSTD-045	XF/XC/TF/TC/SF/SC/GF-100/400 TD-100/400	11261R06952 11CKPTNDSTD-3.4

* Refer to Installation & Operation Manual for high altitude conversions (above 2,000 feet).

NOTE: When converting a unit that is utilizing a two-stage gas control, the following are needed:

1. Two-stage gas valve of new gas type

2. Conversion Kit

There will be extra items in the conversion kit that can be discarded (i.e. conversion spring).

TRANSFORMERS

CONTROLS TRANSFORMERS

DESCRIPTION	PART NUMBER
115/24, 50VA Controls Transformer	11J14R03245-012
115/24, 50VA for use with Modulation Gas Control Options	11J14R03245-001
208/24, 50VA for use with Modulation Gas Control Options	11J14R03245-010
230/24, 50VA for use with Modulation Gas Control Options	11J14R03245-010

STEP DOWN TRANSFORMERS

UNIT CAPACITY	VOLTAGE			
	208/115	230/115	460/115	575/115
100	11J14R05241-004 (1 kVA)	11J14R02832-004 (1 kVA)	11J14R02832-004 (1 kVA)	11J14R05241-007 (2 kVA)
125				
150				
175				
200				
250				
300	11J14R05241-005 (1.5 kVA)	11J14R02832-011 (1.5 kVA)	11J14R02832-011 (1.5 kVA)	11J14R05241-006 (1.5 kVA)
350	11J14R02832-013 (2 kVA)	11J14R02832-012 (2 kVA)	11J14R02832-012 (2 kVA)	11J14R02832-014 (2 kVA)
400				

TERMS

ALL SHIPMENTS ARE F.O.B. FARMVILLE, N.C.
FREIGHT ROUTING SHALL BE AT THE DISCRETION OF THE SHIPPER

PRICES: Published trade prices in effect at time of receipt of order at our office are firm provided the complete order is released for fabrication and shipment within 6 months from date of receipt of written order at the factory. Releases for shipment after 6 months will be billed on the basis of trade prices in effect at time of release.

No obligation is assumed by this Corporation to sell, to anyone holding this book, any of the items listed herein at the prices stated.

TERMS: Net 30 Days.

Prepaid freight or cartage charges paid by us and added to invoice are not subject to cash discount.

TAXES: The prices listed herein exclude Federal, State, or Municipal Tax applicable to the transaction. Such taxes, where applicable to the transaction should be paid directly to the governing authority by the Purchaser.

CLAIMS: As all goods are shipped at buyer's risk they should be examined carefully before signing transportation delivery receipts. If transportation company tenders delivery of goods in bad order, buyer should insist on transportation agent making notation of conditions on delivery receipt and request an inspection within 48 hours, thus enabling buyer to secure prompt payment of transportation claims filed by him for value of damaged material.

The responsibility of this company ceases upon delivery of goods in order to transportation companies. All orders are accepted subject to delays on account of government requirements, strikes, accidents or other causes beyond our control.

RETURNED GOODS: Goods must not be returned except by written permission from the factory, and when so returned will be accepted only as stated in the following conditions:

1. Special material is not subject to return.
2. All transportation charges for returned goods must be prepaid by shipper.
3. Standard catalogued products may be returned upon written permission. After inspection at the factory, if they are found to be in good condition they will be accepted for credit, subject to a 25% handling charge.
4. No goods will be accepted for return more than 90 days after shipment.

CHANGES TO A RELEASED ORDER – Work commences on release of an order, therefore, an order that is changed will be subject to additional charges for any extra time and material expended.

LIMITED WARRANTY

The product described in this catalog are warranted by Sterling, A Mestek Co. to be free from defects in material and workmanship for a period of one (1) year from the date of shipment from Sterling's plant.

Sterling will repair or replace, at its option, any components which, upon inspection, it finds to be defective, provided that the unit has been operated within its listed capacity, has been installed in accordance with the furnished instructions, has not been misused or subject to negligence and has received reasonable and necessary maintenance. This warranty does not cover labor costs or other cost incurred in repairing, removing, installing, servicing or handling of parts or complete products.

Sterling will in no event be liable for incidental or consequential damages of any kind whatsoever.

The buyer must request written permission from Sterling to return defective components and then must send them with all transportation charges prepaid to the plant designated in the written permission.

This warranty is extended only to the original purchaser from Sterling.



260 NORTH ELM ST. WESTFIELD, MA 01085
(413) 564-5540 • FAX: (413) 562-5311
www.sterlinghvac.com

