

ROOF CURB KIT INSTALLATION INSTRUCTIONS

For Packaged Rooftop Arrangements

ATTENTION

Read these instructions carefully prior to installing this equipment.
Check all specifications and make sure the appropriate equipment is being installed.
Record the Model number in the space provided. Retain this manual for future reference!

▲ WARNING Improper installation, adjustment, alteration, service or maintenance can cause property damage, injury or death. Read the installation instructions thoroughly before installing or servicing this equipment.

RECEIVING INSTRUCTIONS

Inspect the shipment immediately when received to determine if any damage has occurred to the unit during shipment. After the Roof Curb Kit(s) have been unpacked, check for any visible damage to the parts. If any damage is found, the consignee should sign the bill of lading indicating such damage and immediately file claim for the damage with the transportation company.

INSTALLER'S RESPONSIBILITY

Installer Please Note: This equipment has been inspected and shipped free from defects from our factory. Inspect all parts required for each roofcurb kit and ensure all parts are accounted for. **It is the installer's responsibility to inspect and correct any problems that may be found.**

The following terms are used throughout this manual to bring attention to the presence of potential hazards or to important information concerning the product:

▲ DANGER Indicates an imminently hazardous situation which, if not avoided, will result in death, serious injury or substantial property damage

▲ WARNING Indicates an imminently hazardous situation which, if not avoided, could result in serious injury or substantial property damage.

▲ CAUTION Indicates an imminently hazardous situation which, if not avoided, could result in death, serious injury or substantial property damage.

NOTICE: Used to notify of special instructions on installation, operation or maintenance which are important to equipment but not related to personal injury hazards.

Unless otherwise specified, the following conversions may be used for calculating SI measurements:

1 foot = 0.305 m	1 inch water column = 0.24 kPa
1 inch = 25.4 mm	1000 Btu per hour = 0.293 kW
1 psig = 6.894 kPa	1000 Btu/Cu. Ft. = 37.5 MJ/m ³
1 pound = 0.435 kg	liter/second = CFM x 0.472
1 gallon = 3.785 L	meter/second = FPM ÷ 196.8
1 cubic foot = 0.028 m ³	

TABLE OF CONTENTS

I. RECEIVING	
Pre-Installation Instructions	Cover
II. INSTALLATION	
* <i>(U)</i> RC001, <i>(U)</i> RC002, <i>(U)</i> RC003, <i>(U)</i> RC004, <i>(U)</i> RC006	2-6, 24
<i>(U)</i> RC005, <i>(U)</i> RC007, <i>(U)</i> RC008, <i>(U)</i> RC009, <i>(U)</i> RC010	7-11, 24
<i>(U)</i> RC011, <i>(U)</i> RC012	12-16, 24
<i>(U)</i> RC013	17-21, 24
Evaporative Cooler Platform	22-23
<i>*<i>(U)</i> indicates that the roof curb kit is shipped from the factory uninsulated.</i>	

(U) RC001, (U)RC002, (U)RC003, (U)RC004, (U)RC006

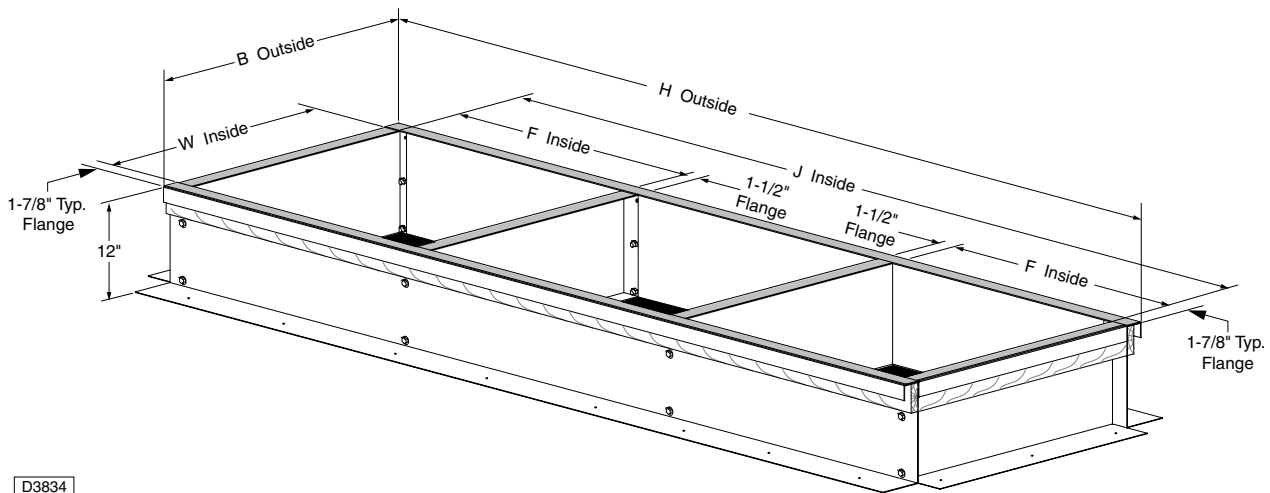
Roof Curbs for arrangements D and E include an evaporative cooler platform. See pages 22 and 23.

Roof Curbs ship knocked down for ease of handling and storage. The field assembly and mounting of the curb to the roof is the responsibility of the installer. All curbs ship complete with pre-assembled side and end rails, cross member supports, ductwork connector brackets, hardware, optional insulation and gasketing. See Figures 3, 33 and 34 for a complete parts list for your curb.

Check to see that all components are included. Refer to Figures 3, 4, 5, 6, 33 and 34 to see if all other field supplied parts are also on hand.

Provide a suitable opening, or two openings, in the roof as suggested per Figures 2 and 4. These return and/or supply air ductwork openings have been calculated to include a one inch clearance on each side of the ductwork. The installer may determine other opening(s) to accept return and/or supply air ducts to suit particular needs.

Figure 1 - Dimensions



DIMENSIONAL DATA

Roof Curb Kit No.*	RC001, RC002, RC003, RC004, & RC006- [*] CAPACITY	W [†]	B [†]
* - 1	10, 15	26- 7/16 (672)	30- 3/16 (767)
* - 2	20, 25, 50	37- 7/16 (951)	41- 3/16 (1046)
* - 3	30, 35, 60, 70	48- 7/16 (1230)	52- 3/16 (605)
* - 4	40, 80	53-15/16 (1370)	57-11/16 (1465)

† Dimensions are in inches.
(Dimensions in parenthesis are in millimeters.)

Approximate Roof Curb Kit Weights

Roof Curb Kit No.*	Rooftop (RA) Arrangement	Capacity (CA)	Roof Curb Kit Suffix No. - *
			* - 1 * - 2 * - 3 * - 4
RC001-*	B N	10 thru 40 20 or 40	115 133 151 161
RC002-*	D R	10 thru 40 20 or 40	145 163 181 191
RC003-*	B C	50 thru 80 10 thru 40	150 168 186 196
RC004-*	D E	50 thru 80 10 thru 40	180 198 216 226
RC006-*	G T U	20 thru 40 20 or 40 20 or 40	NA 179 197 207

Roof Curb Kit No.*	Rooftop (RA) Arrangement	Capacity (CA)	F [†] (inside)	H [†] (outside)	J [†] (inside)
RC001-*	B N	10 thru 40 20 or 40	29 - 5/8 (752)	71 - 1/8 (1807)	67 - 3/8 (1711)
RC002-*	D R	10 thru 40 20 or 40	29 - 5/8 (752)	71 - 1/8 (1807)	67 - 3/8 (1711)
RC003-*	B C	50 thru 80 10 thru 40	29 - 5/8" (752)	97 - 1/8 (2467)	93 - 3/8 (2372)
RC004-*	D E	50 thru 80 10 thru 40	29 - 5/8" (752)	97 - 1/8 (2467)	93 - 3/8 (2372)
RC006-*	G T U	20 thru 40 20 or 40 20 or 40	37 - 3/16 (945)	107 - 5/16 (605)	103 - 9/16 (2630)

† Dimensions are in inches.
(Dimensions in parenthesis are in millimeters.)
NA = Not Applicable
(RA) = Rooftop Arrangement
(CA) = Capacity
1 lb. = 0.453 kg

▲ WARNING To avoid any property damage or personal injury, it is the installers responsibility to make sure that the installation will not impair the function of this curb, or the unit to be installed.

All curbs must be mounted on level areas. The roof must be suitable to support the weight of both the curb and the unit to be mounted. The enclosed area of the roof curb must comply to required clearances to combustible materials. If the roof construction is made of combustible materials, the enclosed roof curb area must meet the following requirements:

1. Ventilate this area.
2. Leave area open (however, this may elevate higher sound levels.)
3. Cover this area with non-combustible material, which utilizes an "R" value of 5.0 minimum.

Position and assemble the curb, referring to Figures 1 thru 8, 17 and 18 and the following procedure:

1. All hardware used for these assembly procedures is included with your curb, and should be used. **Do not** tighten any hardware until the curb is completely level and square, and installed in a suitable position on the roof, with proper alignment to the roof/unit opening(s).
2. Position and install the end and side curb rail sub-assemblies, aligning around the roof opening location(s).
3. Position and install the inner cross brace(s) and ductwork brackets as shown.
4. Secure the roof curb to the roof decking.
5. Install the field supplied flashing/materials.
6. Apply the gasketing (included with the kit) on the top flanges/surfaces on the curb as shown

▲ WARNING To avoid any property damage or personal injury, it is the installer's responsibility that the roof curb and unit must be completely sealed, preventing any water or air leakage/damage.

Figure 2 - Roof Opening Specifications

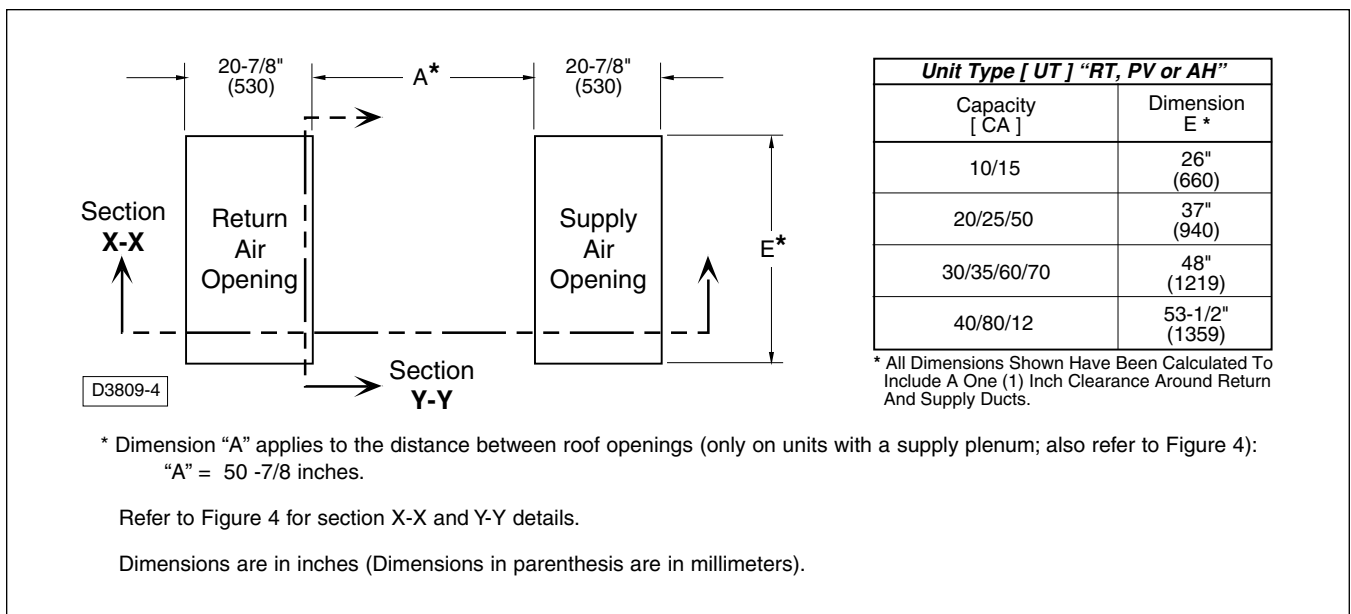
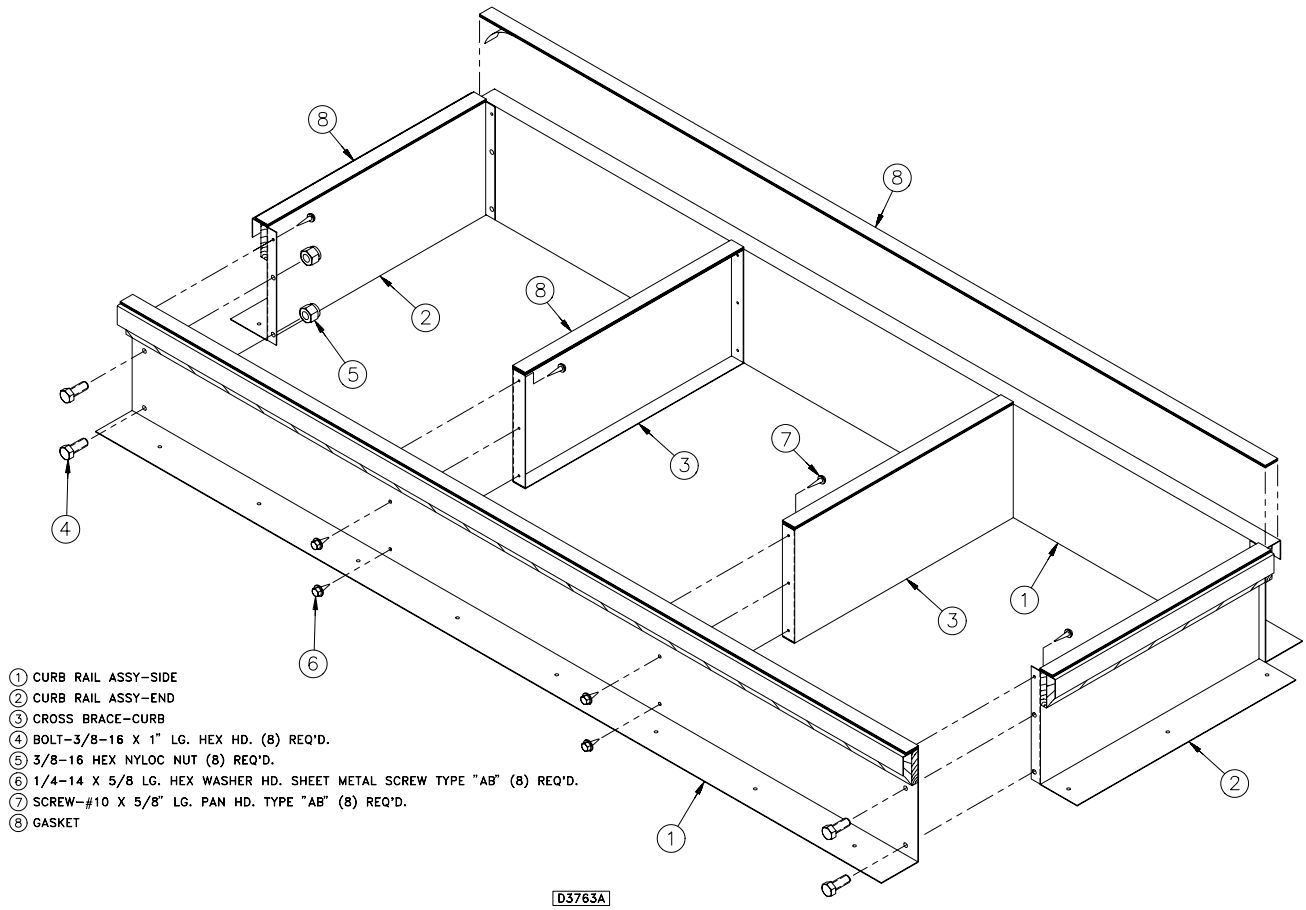


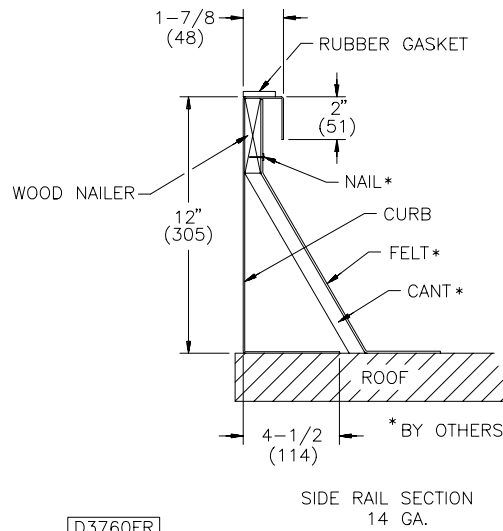
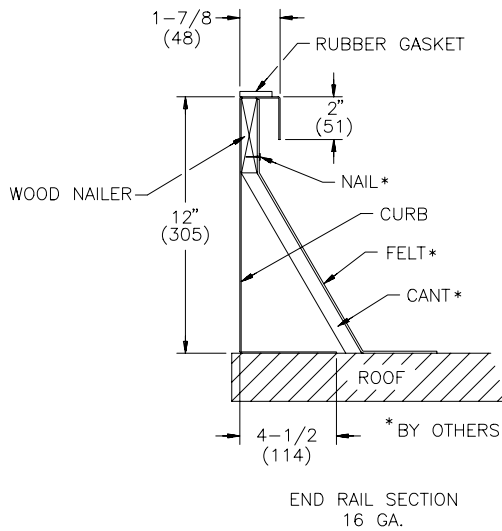
Figure 3 - Roof Curb Kit Assembly*

* The roof curb and destined unit must be sealed completely to prevent any water or air leakages (also see Figure 8). Refer to Figures 33 and 34 for Ductwork Mounting Bracket Assembly.



- ① CURB RAIL ASSY-SIDE
- ② CURB RAIL ASSY-END
- ③ CROSS BRACE-CURB
- ④ BOLT-3/8-16 X 1" LG. HEX HD. (8) REQ'D.
- ⑤ 3/8-16 HEX NYLOC NUT (8) REQ'D.
- ⑥ 1/4-14 X 5/8 LG. HEX WASHER HD. SHEET METAL SCREW TYPE "AB" (8) REQ'D.
- ⑦ SCREW-#10 X 5/8" LG. PAN HD. TYPE "AB" (8) REQ'D.
- ⑧ GASKET

D3763A



D3760FR

Figure 4 - Roof Curb application (Also refer to Figures 2, 5 and 6)

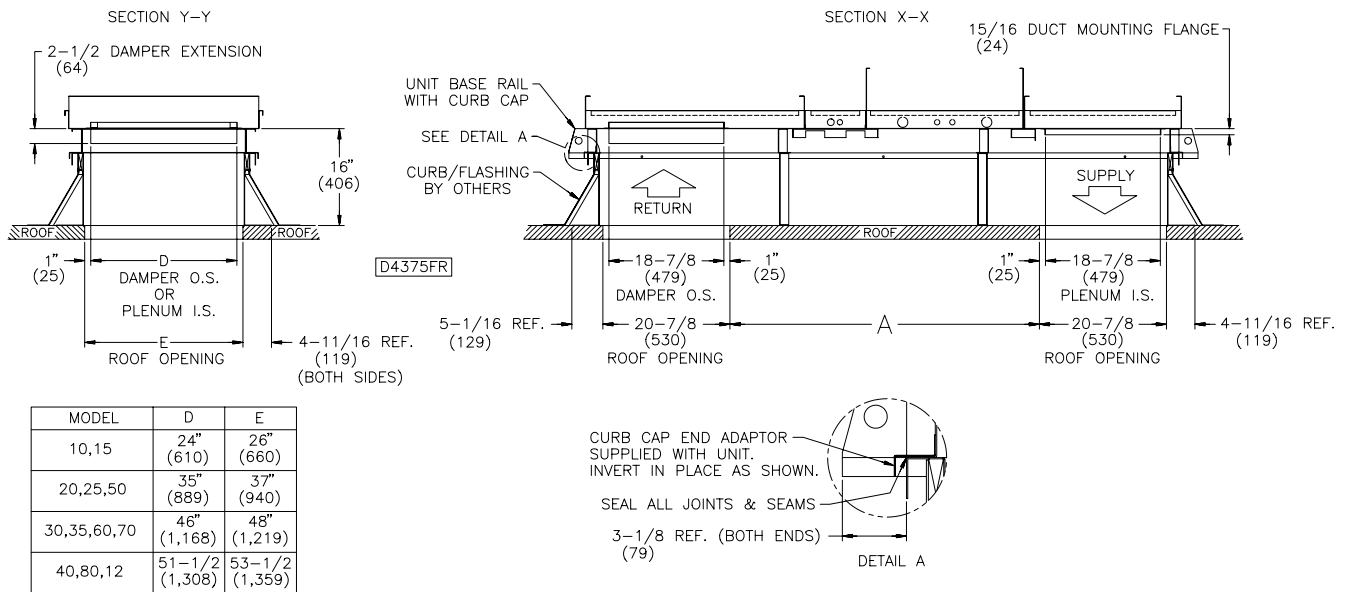


Figure 5 - Detail D

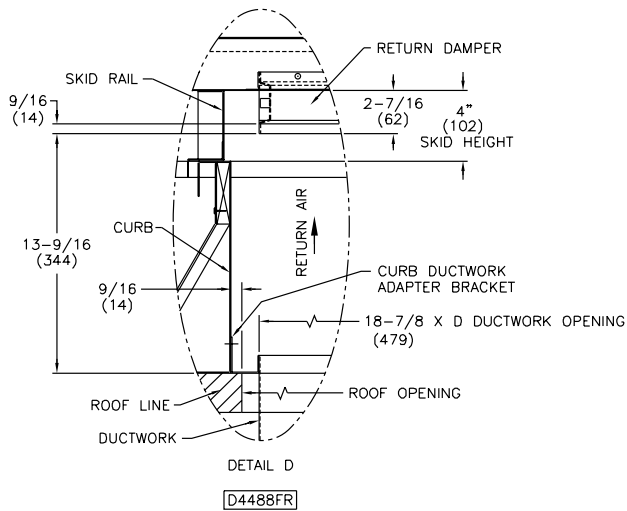


Figure 6 - Detail E

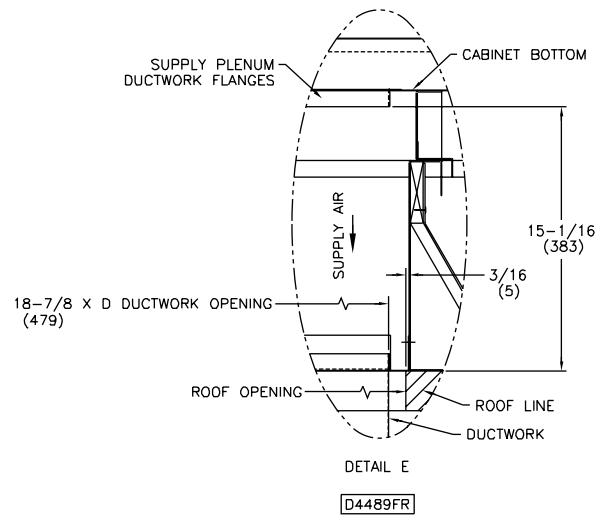


Figure 7 - Curb Specifications

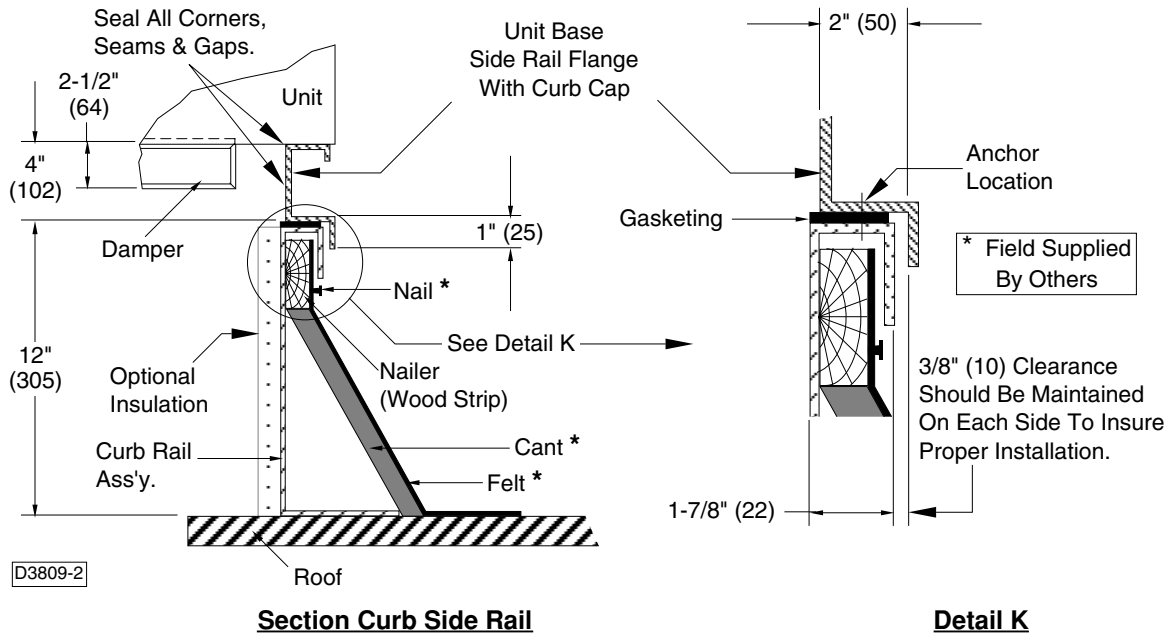
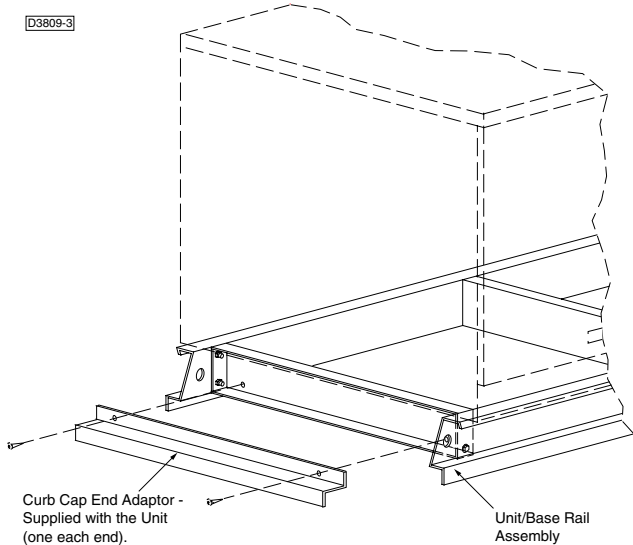


Figure 8 - Unit/Curb Rail Assembly



For Field Installations: These Cross Brace/Curb Adaptors (two adaptors ship with each rooftop unit) must be repositioned when the unit is mounted on a curb or platform (one for each end). Simply remove the screws, turn the piece over (end for end) and secure in place using the holes/hardware provided. **All joints and seams must be sealed completely to prevent leaks.**

Replacement Hardware Kit:
Part No. RCHK-12346

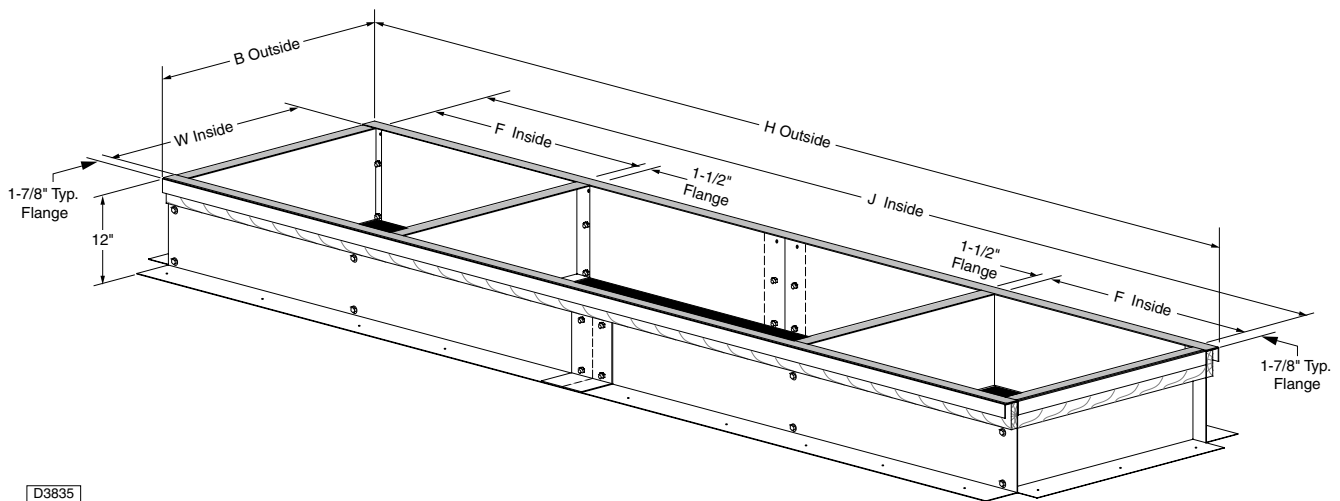
(U) RC005, (U)RC007, (U)RC008, (U)RC009, (U)RC010

Roof Curbs for arrangements D and E include an evaporative cooler platform. See pages 22 and 23.

Roof Curbs ship knocked down for ease of handling and storage. The field assembly and mounting of the curb to the roof is the responsibility of the installer. All curbs ship complete with pre-assembled side and end rails, cross member supports, ductwork connector brackets, hardware, insulation and gasketing. See Figures 11, 33 and 34 for a complete parts list for your curb. Check to see that all components are included. Refer to Figures 11 thru 18 to see if all other field supplied parts are also on hand.

Provide a suitable opening, or two openings, in the roof as suggested per Figures 10 and 12. These return and/or supply air ductwork openings have been calculated to include a one inch clearance on each side of the ductwork. The installer may determine other opening(s) to accept return and/or supply air ducts to suit particular needs.

Figure 9 - Dimensions



DIMENSIONAL DATA

Roof Curb Kit No.*	RC005, RC007, RC008, RC009, & RC0010-* CAPACITY	W†	B†
* - 1	10, 15	26- 7/16 (672)	30- 3/16 (767)
* - 2	20, 25, 50	37- 7/16 (951)	41- 3/16 (1046)
* - 3	30, 35, 60, 70	48- 7/16 (1230)	52- 3/16 (605)
* - 4	40, 80	53-15/16 (1370)	57-11/16 (1465)

† Dimensions are in inches.
(Dimensions in parenthesis are in millimeters.)

Approximate Roof Curb Kit Weights

Roof Curb Kit No.*	Rooftop (RA) Arrangement	Capacity (CA)	Roof Curb Kit Suffix No. - *			
			* - 1	* - 2	* - 3	* - 4
RC005-*	G	50 thru 80				
	J	20 thru 40	192	210	228	238
	K	10 thru 40				
	W	20 or 40				
RC007-*	C	50 thru 80	NA	197	217	227
RC008-*	E	50 thru 80	NA	227	247	257
	G	12				
RC009-*	J & K	50 thru 80	310	338	366	381
	L	10 thru 40				
RC010-*	J	12	NA	375	403	418
	L	50 thru 80				

Roof Curb Kit No.*	Rooftop (RA) Arrangement	Capacity (CA)	F† (inside)	H† (outside)	J† (inside)
RC005-*	G	50 thru 80			
	J	20 thru 40	37 - 1/8 (943)	133 - 1/4 (3385)	129 - 1/2 (3289)
	K	10 thru 40			
	W	20 or 40			
RC007-*	C	50 thru 80	30 - 7/8 (765)	123 (3124)	119 - 1/4 (3029)
RC008-*	E	50 thru 80			
	G	12	37 - 5/16 (948)	159 - 5/16 (4046)	155 - 9/16 (3951)
RC009-*	J & K	50 thru 80			
	L	10 thru 40			
RC010-*	J	12	36 - 15/16 (938)	185 - 5/16 (4707)	181 - 9/16 (4612)
	L	50 thru 80			

† Dimensions are in inches.
(Dimensions in parenthesis are in millimeters.)
NA = Not Applicable
(RA) = Rooftop Arrangement
(CA) = Capacity
1 lb. = 0.453 kg

▲ WARNING Improper installation, adjustment, alteration, service or maintenance can cause property damage, injury or death. Read the installation instructions thoroughly before installing or servicing this equipment.

▲ WARNING To avoid any property damage or personal injury, it is the installers responsibility to make sure that the installation will not impair the function of this curb, or the unit to be installed.

All curbs must be mounted on level areas. The roof must be suitable to support the weight of both the curb and the unit to be mounted. The enclosed area of the roof curb must comply to required clearances to combustible materials. If the roof construction is made of combustible materials, the enclosed roof curb area must meet the following requirements:

1. Ventilate this area.
2. Leave area open (however, this may elevate higher sound levels.)
3. Cover this area with non-combustible material, which utilizes an "R" value of 5.0 minimum.

Position and assemble the curb, referring to Figures 9 thru 18 and the following procedure:

1. All hardware used for these assembly procedures is included with your curb, and should be used. **Do not** tighten any hardware until the curb is completely level and square, and installed in a suitable position on the roof, with proper alignment to the roof/unit opening(s).
2. Position and install the end and side curb rail sub-assemblies, aligning around the roof opening location(s).
3. Position and install the inner cross brace(s) and ductwork brackets as shown.
4. Secure the roof curb to the roof decking.
5. Install the field supplied flashing/materials.
6. Apply the gasketing (included with the kit) on the top flanges/surfaces on the curb as shown

▲ WARNING To avoid any property damage or personal injury, it is the installer's responsibility that the roof curb and unit must be completely sealed, preventing any water or air leakage/damage.

Figure 10 - Roof Opening Specifications

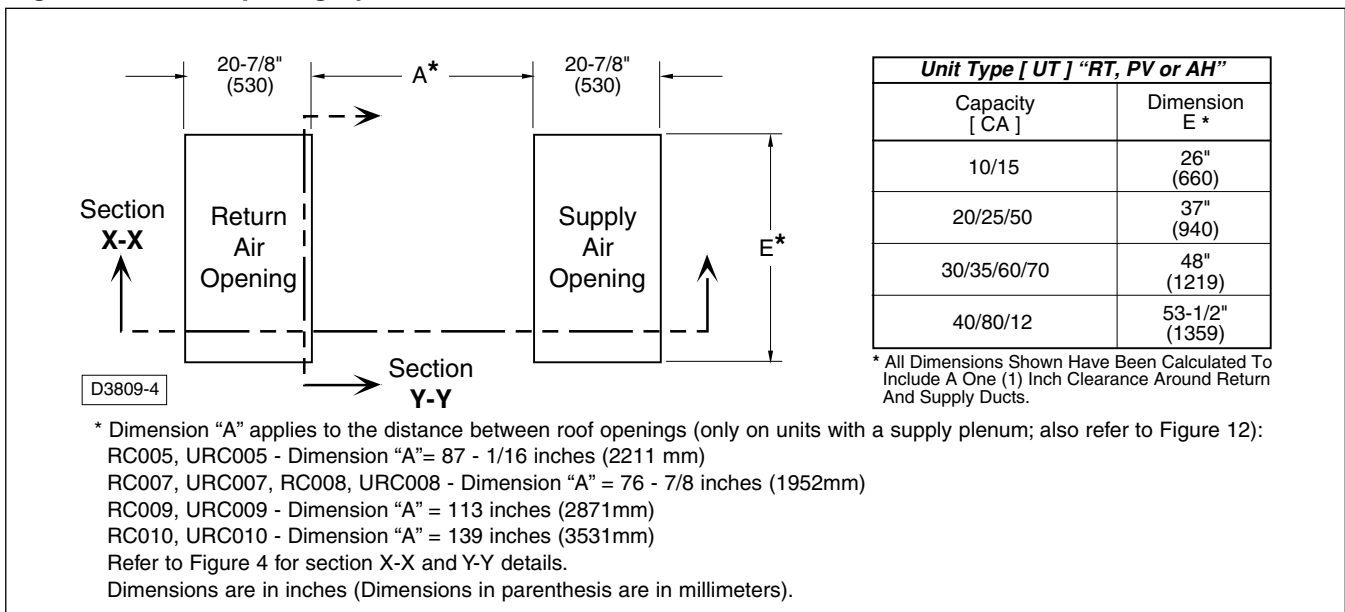
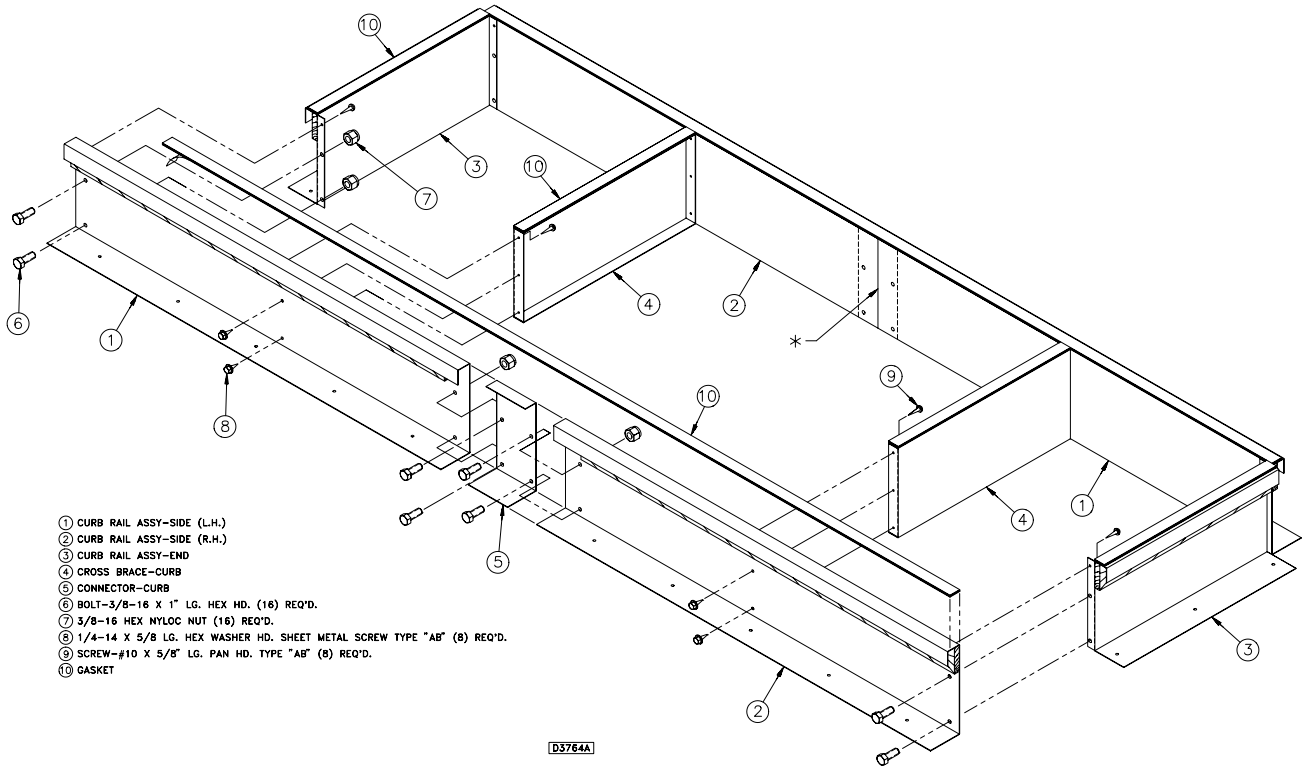


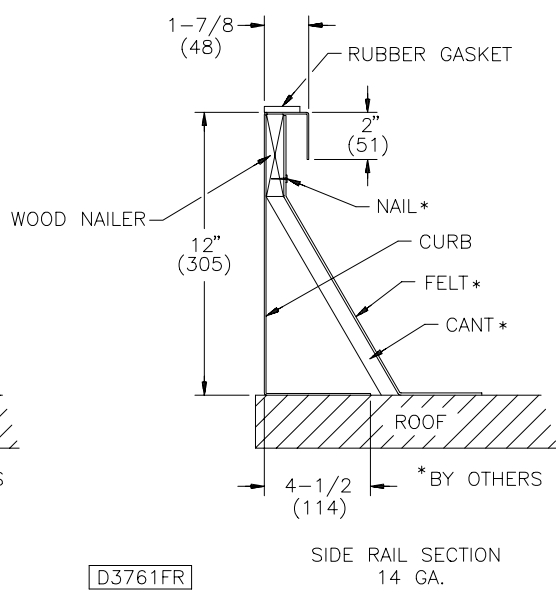
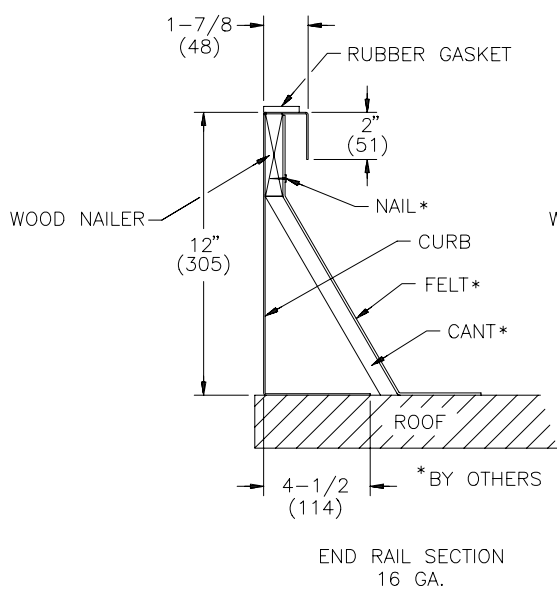
Figure 3 - Roof Curb Kit Assembly*

* The roof curb and destined unit must be sealed completely to prevent any water or air leakages (also see Figure 16). Refer to Figures 33 and 34 for Ductwork Mounting Bracket Assembly.



- ① CURB RAIL ASSY-SIDE (L.H.)
- ② CURB RAIL ASSY-SIDE (R.H.)
- ③ CURB RAIL ASSY-END
- ④ CROSS BRACE-CURB
- ⑤ CONNECTOR-CURB
- ⑥ BOLT-3/8-16 X 1" LG. HEX HD. (16) REQ'D.
- ⑦ 3/8-16 HEX NYLOC NUT (16) REQ'D.
- ⑧ 1/4-14 X 5/8 LG. HEX WASHER HD. SHEET METAL SCREW TYPE "AB" (8) REQ'D.
- ⑨ SCREW-#10 X 5/8" LG. PAN HD. TYPE "AB" (8) REQ'D.
- ⑩ GASKET

D3764A



D3761FR

Figure 12 - Roof Curb Application (Also refer to Figures 10, 13 and 14)

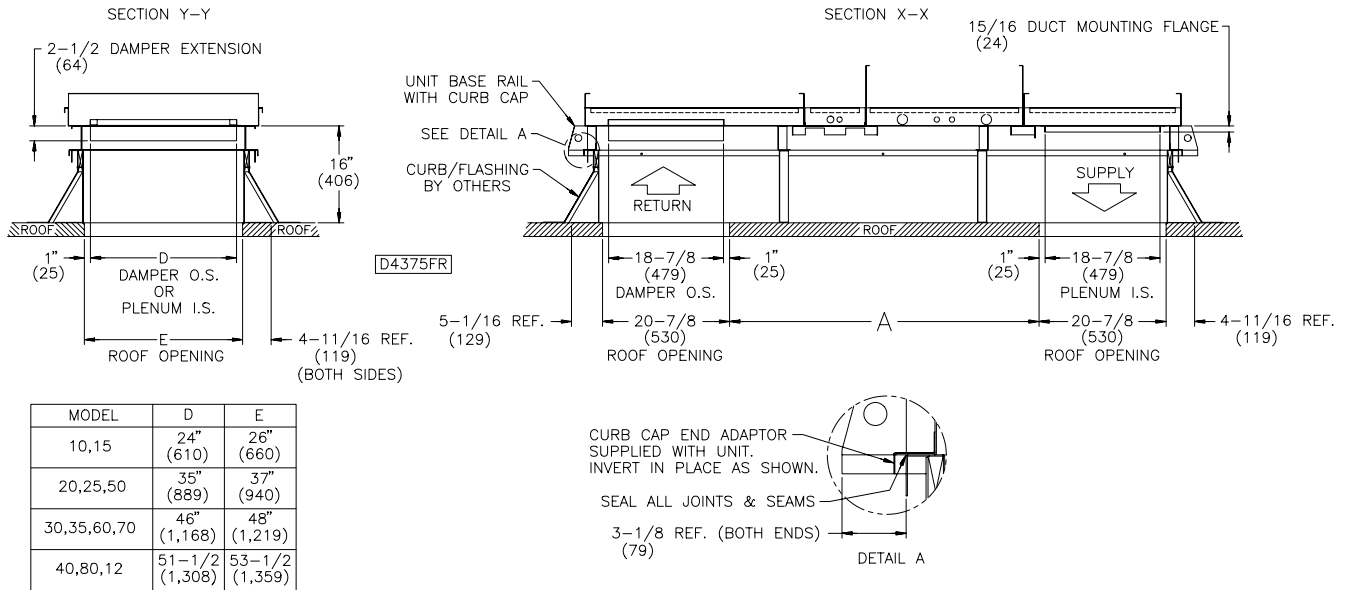


Figure 13 - Detail D

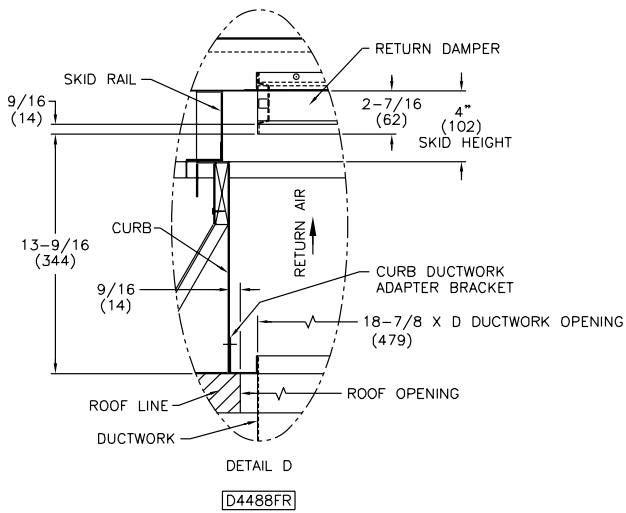


Figure 14 - Detail E

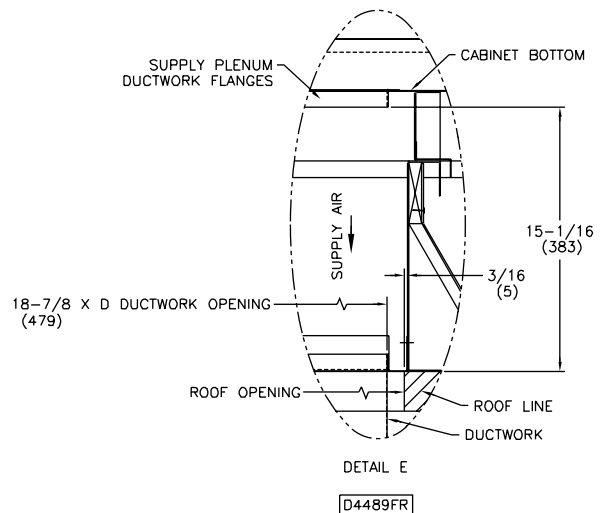


Figure 15 - Curb Specifications

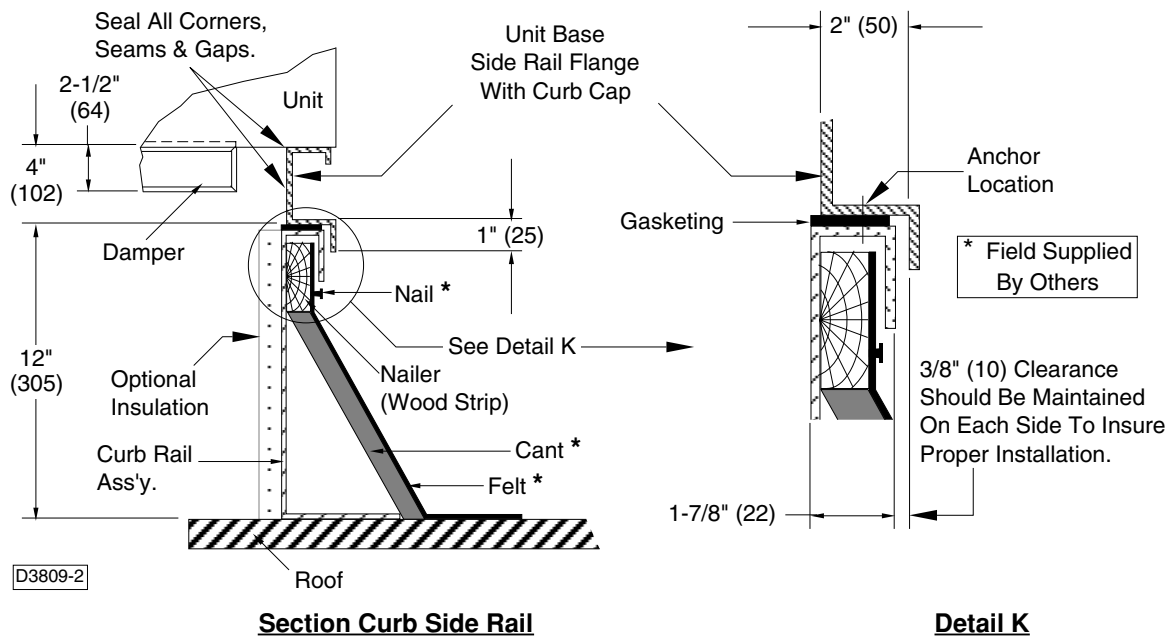
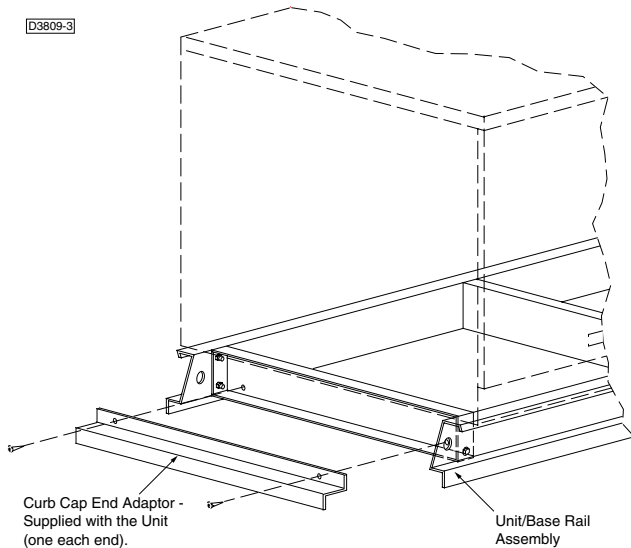


Figure 16 - Unit/Curb Rail Assembly



For Field Installations: These Cross Brace/Curb Adaptors (two adaptors ship with each rooftop unit) must be repositioned when the unit is mounted on a curb or platform (one for each end). Simply remove the screws, turn the piece over (end for end) and secure in place using the holes/hardware provided. **All joints and seams must be sealed completely to prevent leaks.**

Replacement Hardware Kit:
 (U)RC005, (U)RC007, (U)RC008
 Part No. RCHK-578
 (U)RC009, (U)RC010
 Part No. RCHK-910

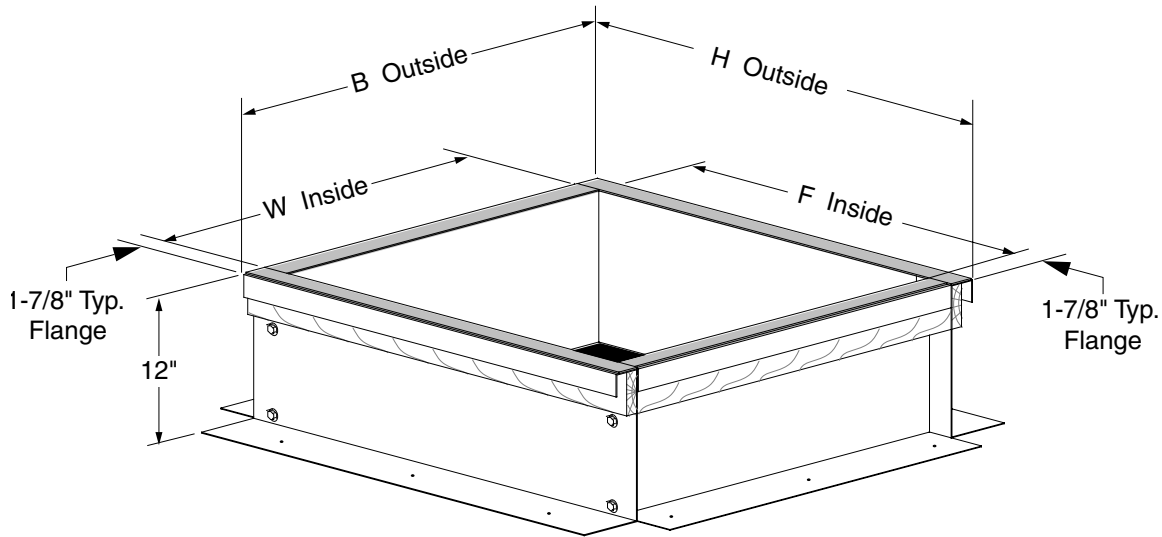
(U) RC011, (U)RC012

Roof Curb for arrangement D include an evaporative cooler platform. See pages 22 and 23.

Provide a suitable opening in the roof as suggested per Figure 18 and 20. The return air opening has been calculated to include a one inch clearance on each side of the ductwork. The installer may determine the opening to accept a return air duct to suit particular needs.

Roof Curbs ship knocked down for ease of handling and storage. The field assembly and mounting of the curb to the roof is the responsibility of the installer. all kits ship complete with pre-assembled side and end rails, cross member supports, ductwork connector brackets, hardware, insulation and gasketing. See Figure 19, 33 and 34 for a complete parts list for your kit. Check to see that all components of the kit are included. Refer to Figures 17 thru 23, 31 and 32 to see if all other field supplied parts are also on hand.

Figure 17 - Dimensions



DIMENSIONAL DATA

Kit No.*	CAPACITY	W [†]	RC011 and RC012 - *		
			B [†]	F [†]	H [†]
* -2	20	37- 7/16 (951)	41- 3/16 (1046)	41 - 1/2 (1054)	45 - 1/4 (1149)
* - 4	40	53-15/16 (1370)	57-11/16 (1465)	41 - 1/2 (1054)	45 - 1/4 (1149)

† Dimensions are in inches.
(Dimensions in parenthesis are in millimeters.)

APPROXIMATE ROOF CURB KIT WEIGHTS (LBS.)

Roof Curb Kit No.*	Rooftop (RA) Arrangement	Capacity (CA)	Roof Curb Kit Suffix No. - *			
			* - 1	* - 2	* - 3	* - 4
RC011-*	M	20 or 40	NA	85	NA	112
RC012- *	P	20 or 40	NA	115	NA	142

NA=Not Applicable
1 lb. = 0.453 Kg
(RA) = Rooftop Arrangement
(CA) = Capacity

▲ WARNING To avoid any property damage or personal injury, it is the installers responsibility to make sure that the installation will not impair the function of this curb, or the unit to be installed.

All curbs must be mounted on level areas. The roof must be suitable to support the weight of both the curb and the unit to be mounted. The enclosed area of the roof curb must comply to required clearances to combustible materials. If the roof construction is made of combustible materials, the enclosed roof curb area must meet the following requirements:

1. Ventilate this area.
2. Leave area open (however, this may elevate higher sound levels.)
3. Cover this area with non-combustible material, which utilizes an "R" value of 5.0 minimum.

Position and assemble the curb, referring to Figures 17 thru 23, 33 and 34 Use the following procedure:

1. All hardware used for these assembly procedures is included with your curb, and should be used. **Do not** tighten any hardware until the curb is completely level and square, and installed in a suitable position on the roof, with proper alignment to the roof/unit opening(s).
2. Position and install the end and side curb rail sub-assemblies, aligning around the roof opening location(s).
3. Position and install the inner cross brace(s) and ductwork brackets as shown.
4. Secure the roof curb to the roof decking.
5. Install the field supplied flashing/materials.
6. Apply the gasketing (included with the kit) on the top flanges/surfaces on the curb as shown

▲ WARNING To avoid any property damage or personal injury, it is the installer's responsibility that the roof curb and unit must be completely sealed, preventing any water or air leakage/damage.

Figure 18 - Roof Opening Specifications

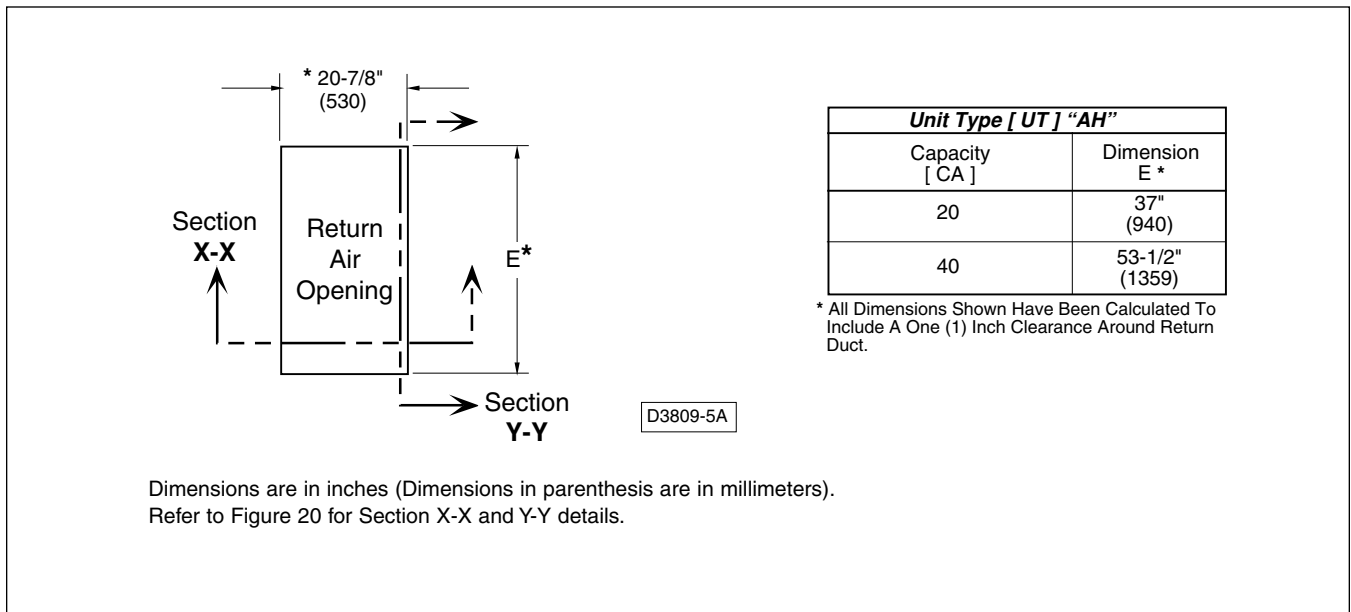
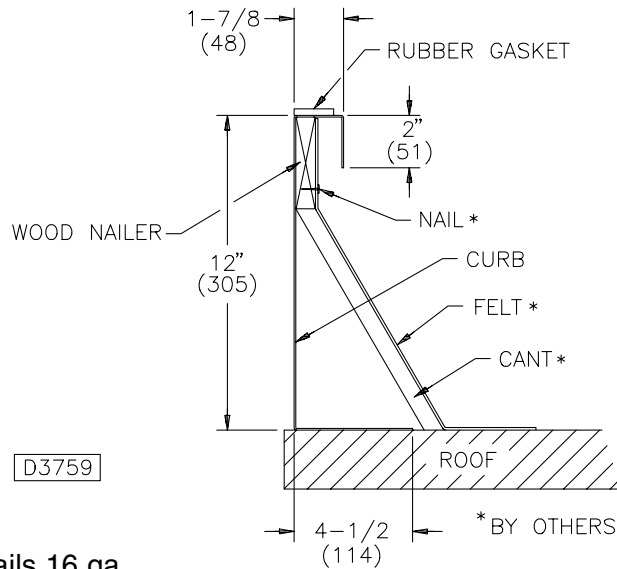
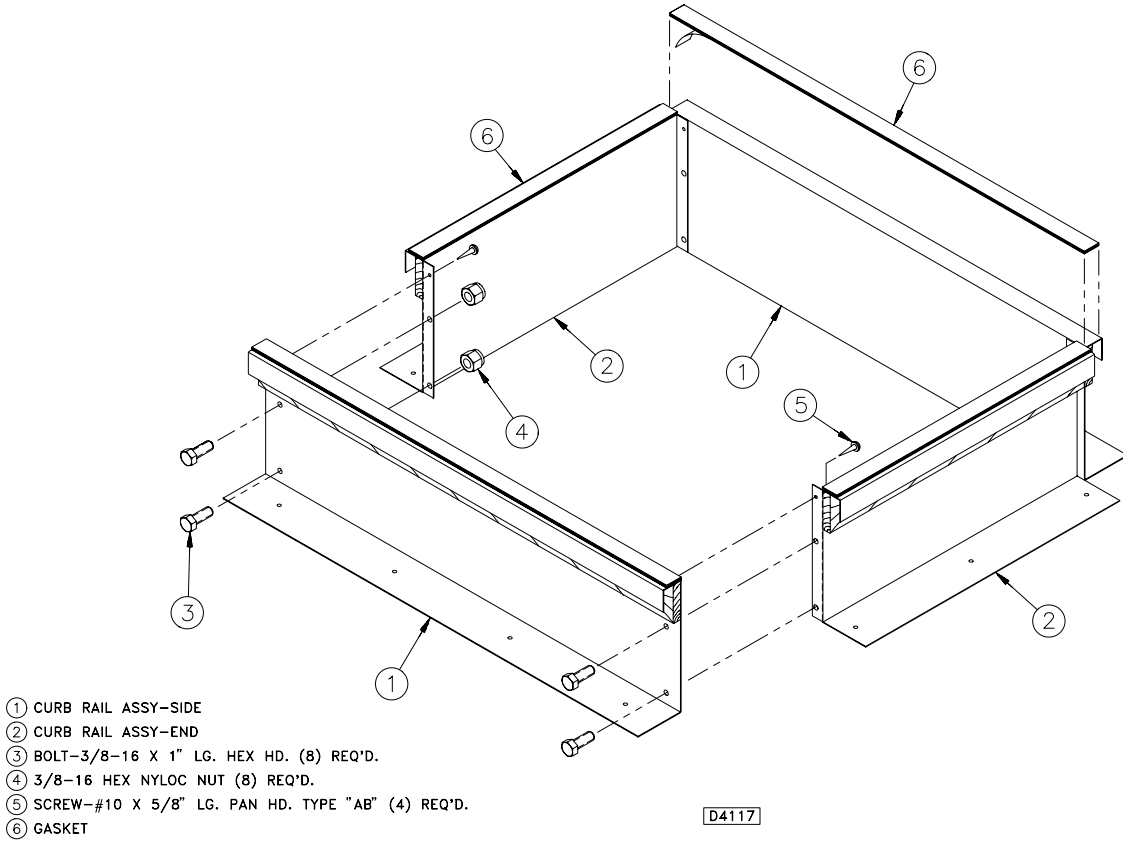


Figure 19 - Roof Curb Kit Assembly*

* The roof curb and destined unit must be sealed completely to prevent any water or air leakages (also see Figure 23). Refer to Figure 33 for Ductwork Mounting Bracket Assembly.



Side and End Rails 16 ga.

Figure 20 - Roof Curb Kit Application (Also refer to Figures 18, 19 and 21)

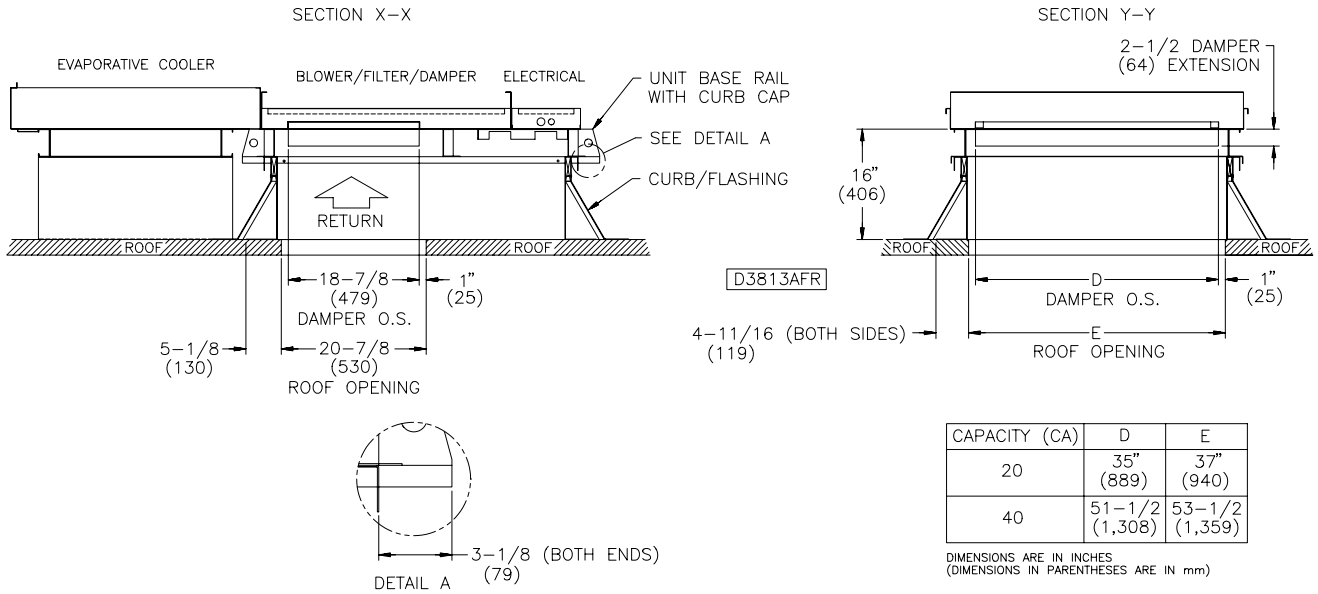


Figure 21 - Return Air Ductwork Connections

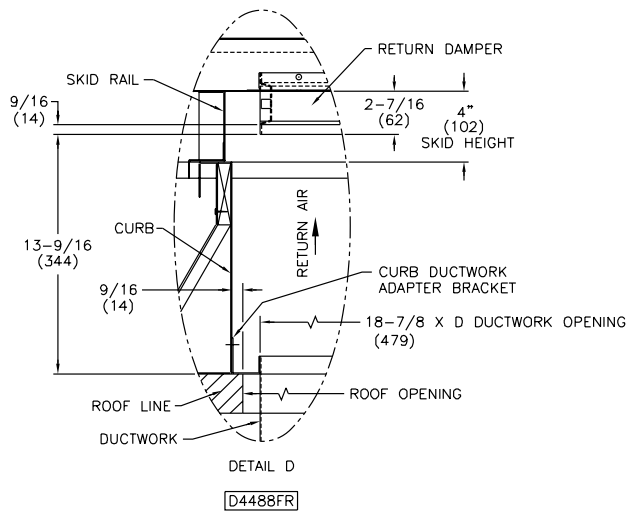


Figure 22 - Curb Specifications

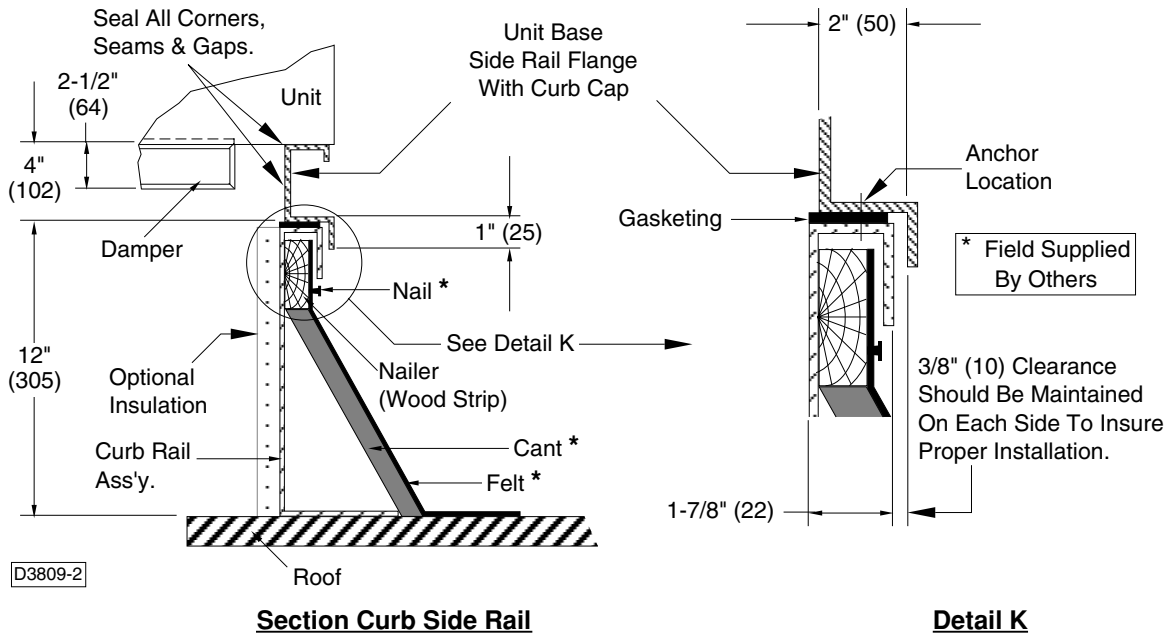
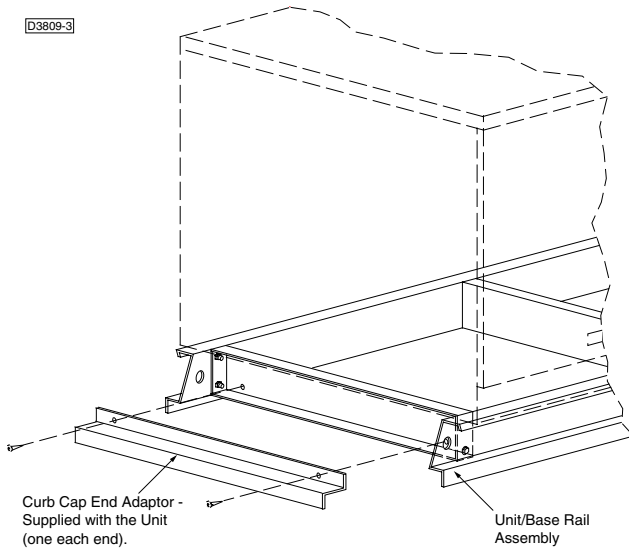


Figure 23 - Unit/Curb Rail Assembly



For Field Installations: These Cross Brace/Curb Adaptors (two adaptors ship with each rooftop unit) must be repositioned when the unit is mounted on a curb or platform (one for each end). Simply remove the screws, turn the piece over (end for end) and secure in place using the holes/hardware provided. **All joints and seams must be sealed completely to prevent leaks.**

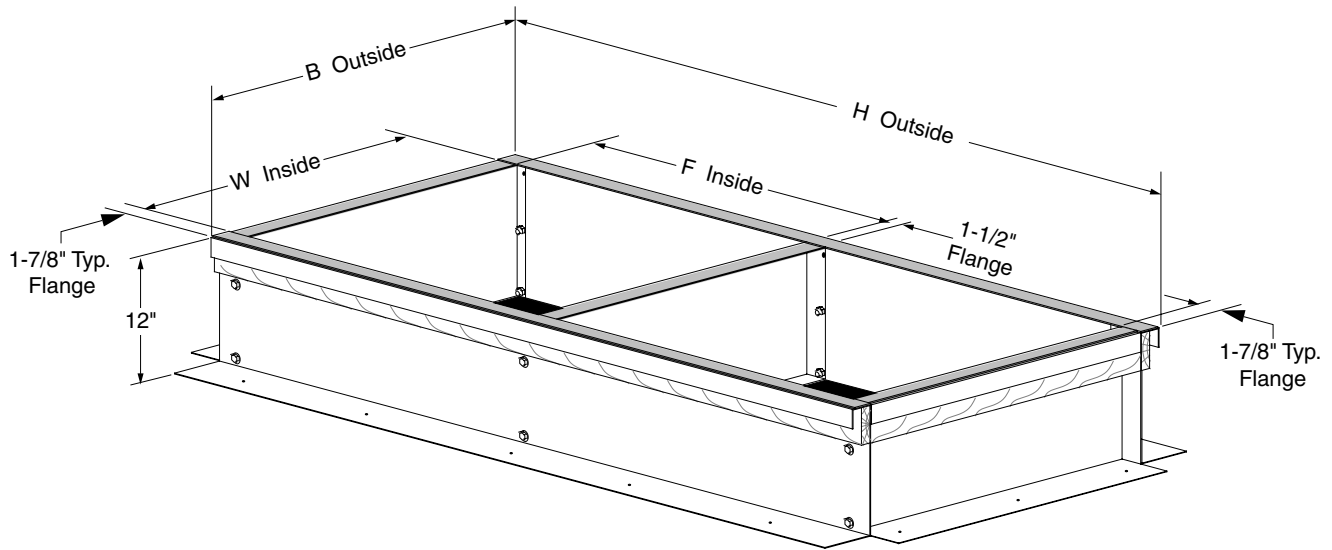
Replacement Hardware Kit:
Part No. RCHK-1112

(U) RC013

Roof Curbs ship knocked down for ease of handling and storage. The field assembly and mounting of the curb to the roof is the responsibility of the installer. All kits ship complete with pre-assembled side and end rails, cross member supports, hardware, insulation and gasketing. See Figures 26 and 33 for a complete parts list for your curb. Check to see that all components are included. Refer to Figures 26 thru 33 to see if all other field supplied parts are also on hand.

Provide a suitable opening in the roof as suggested per Figures 25 and 27. The return air opening has been calculated to include a one inch clearance on each side of the ductwork. The installer may determine the opening to accept a return air duct to suit particular needs.

Figure 24 - Dimensions



DIMENSIONAL DATA
For use with air handler "AH" Arrangement "S"

Kit No.*	CAPACITY	RC013 - *			
		W [†]	B [†]	F [†]	H [†]
* -2	20	37- 7/16 (951)	41- 3/16 (1046)	38 - 1/8 (968)	81 - 7/16 (2069)
* - 4	40	53-15/16 (1370)	57-11/16 (1465)	38 - 1/8 (968)	81 - 7/16 (2069)

† Dimensions are in inches.
(Dimensions in parenthesis are in millimeters.)

Approximate Roof Curb Kit Weights

Roof Curb Kit No.	Lb.s
RC013-2	140
RC013-4	168

▲ WARNING To avoid any property damage or personal injury, it is the installers responsibility to make sure that the installation will not impair the function of this curb, or the unit to be installed.

All curbs must be mounted on level areas. The roof must be suitable to support the weight of both the curb and the unit to be mounted. The enclosed area of the roof curb must comply to required clearances to combustible materials. If the roof construction is made of combustible materials, the enclosed roof curb area must meet the following requirements:

1. Ventilate this area.
2. Leave area open (however, this may elevate higher sound levels.)
3. Cover this area with non-combustible material, which utilizes an "R" value of 5.0 minimum.

Position and assemble the curb, referring to Figures 1 thru 8, 17 and 18 and the following procedure:

1. All hardware used for these assembly procedures is included with your curb, and should be used. **Do not** tighten any hardware until the curb is completely level and square, and installed in a suitable position on the roof, with proper alignment to the roof/unit opening(s).
2. Position and install the end and side curb rail sub-assemblies, aligning around the roof opening location(s).
3. Position and install the inner cross brace(s) and ductwork brackets as shown.
4. Secure the roof curb to the roof decking.
5. Install the field supplied flashing/materials.
6. Apply the gasketing (included with the kit) on the top flanges/surfaces on the curb as shown

▲ WARNING To avoid any property damage or personal injury, it is the installer's responsibility that the roof curb and unit must be completely sealed, preventing any water or air leakage/damage.

Figure 25 - Roof Opening Specifications

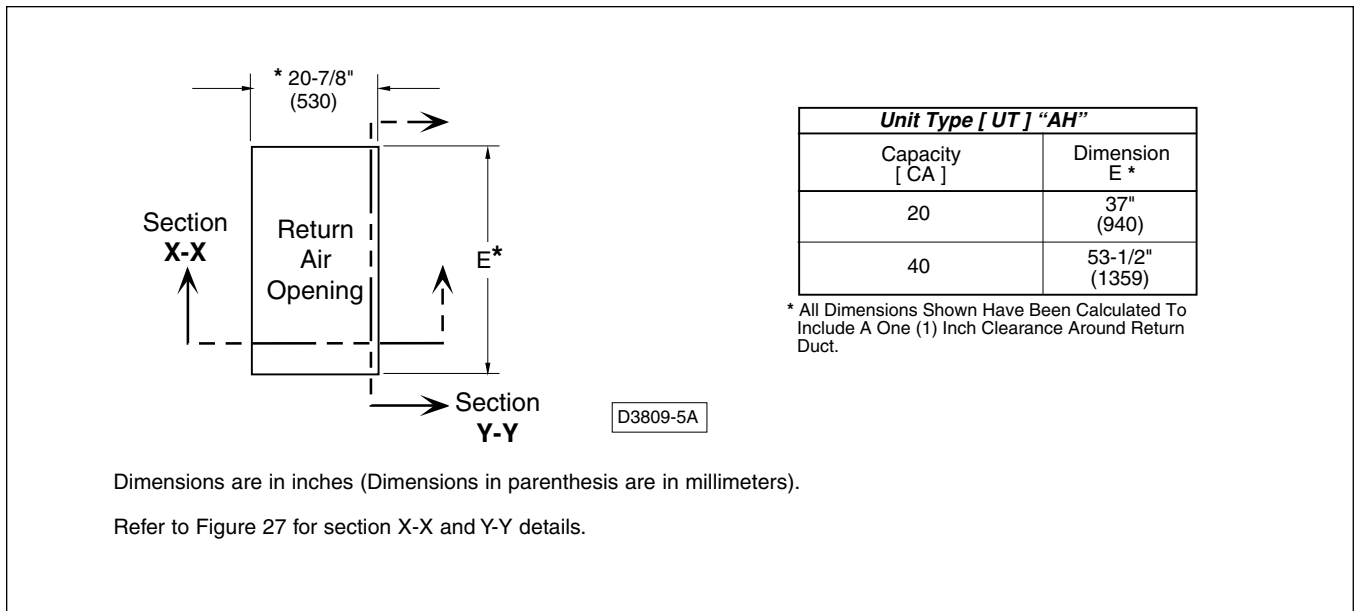
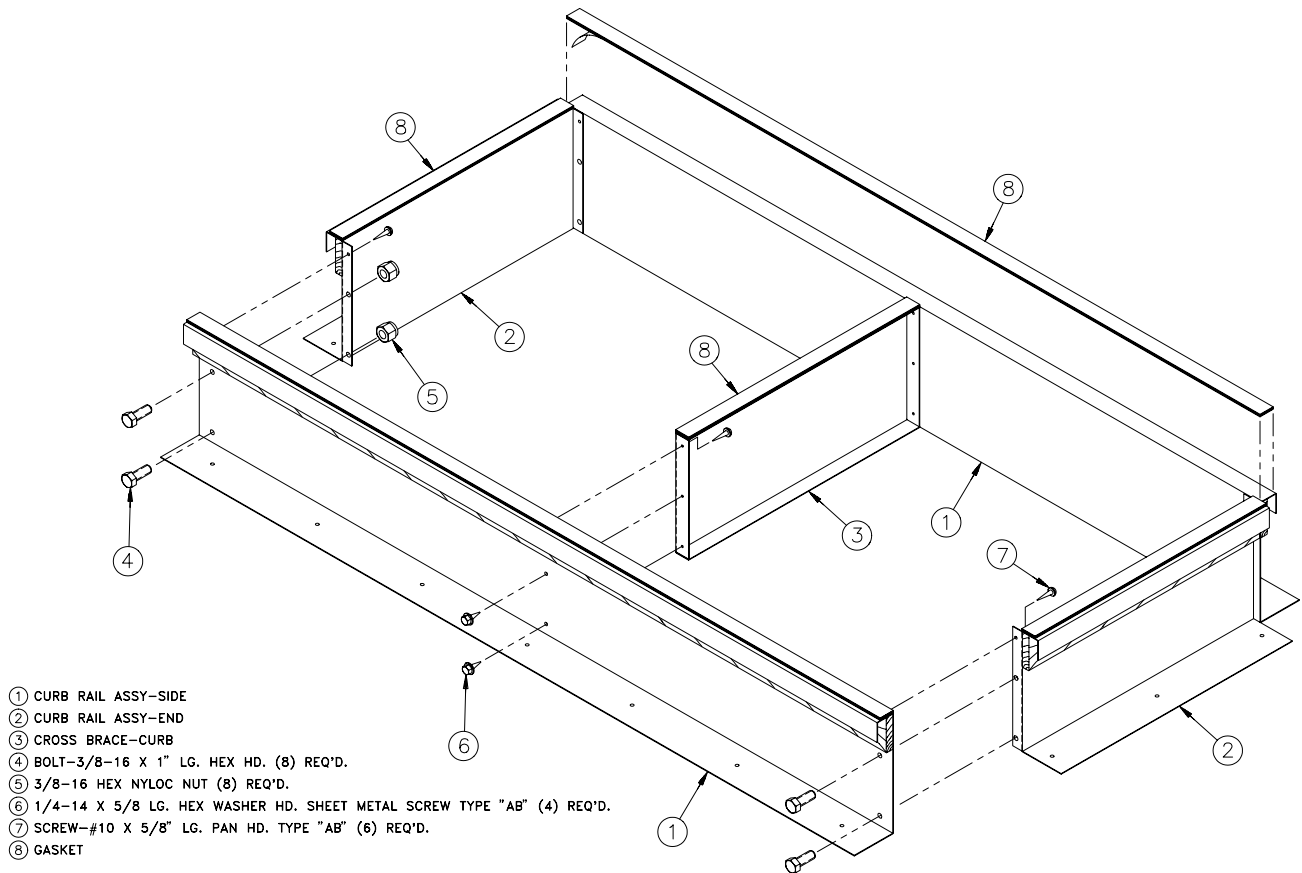
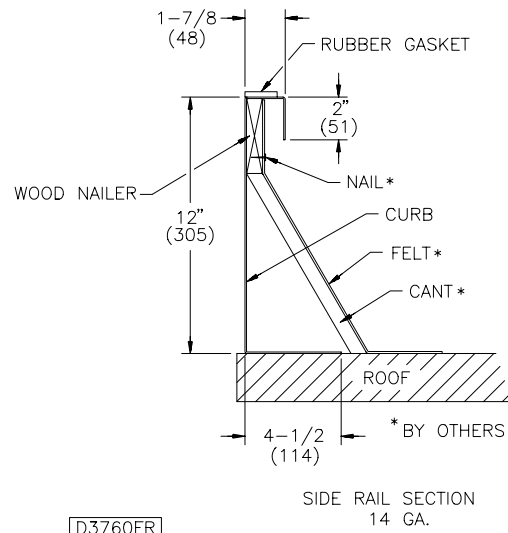
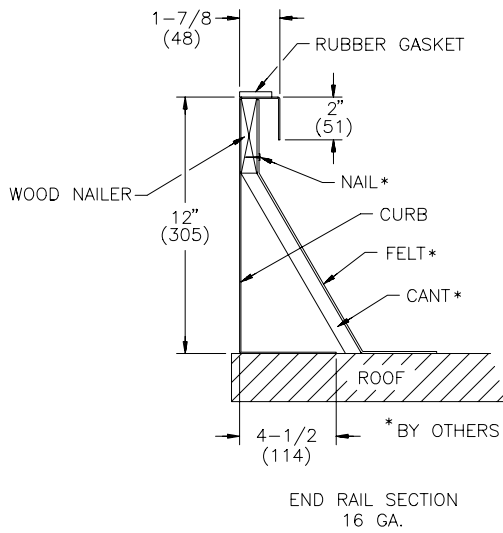


FIGURE 26 - ROOF CURB KIT ASSEMBLY*

* The roof curb and destined unit must be sealed completely to prevent any water or air leakages (also see Figure 30) Refer to Figure 33 for Ductwork Mounting Bracket Assembly.



D4116



D3760FR

Figure 27 - Roof Curb Kit Application (Also refer to Figures 25, 26 and 28)

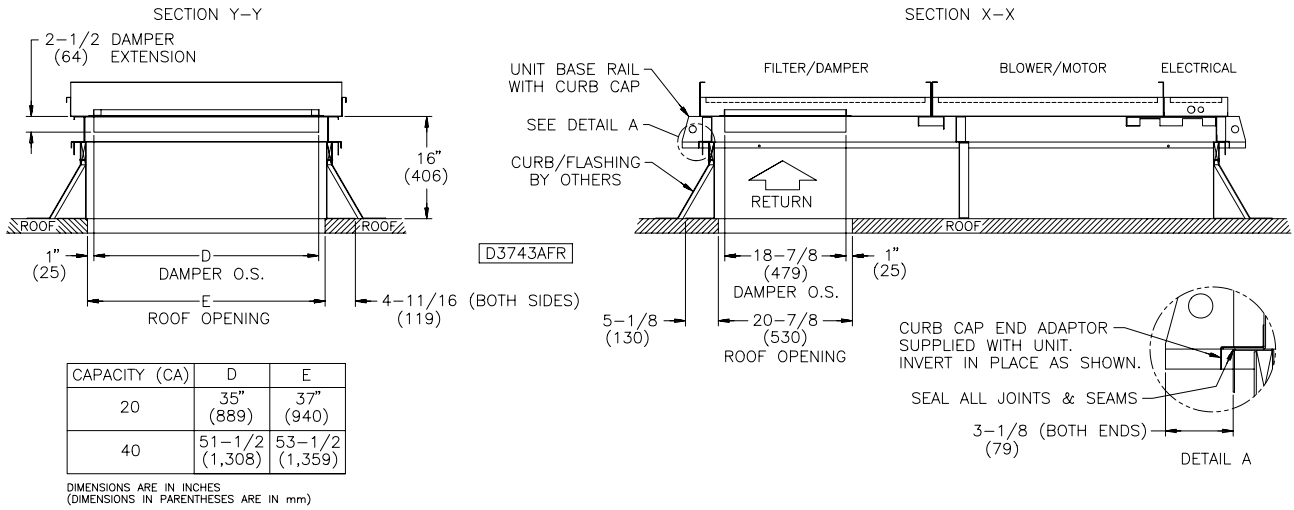


Figure 28 - Return Air Ductwork Connections

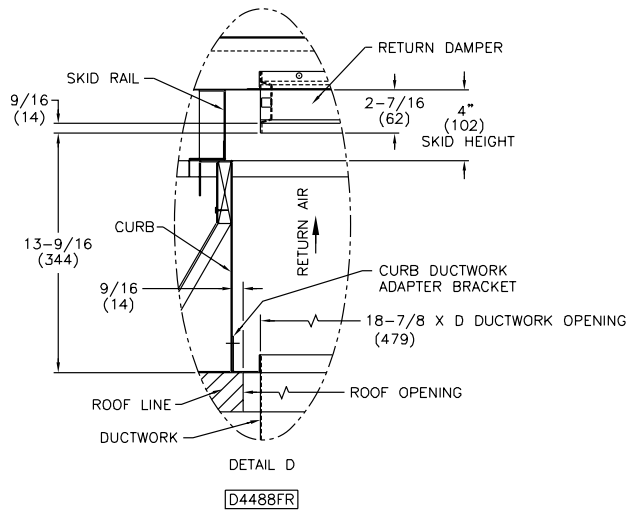


Figure 29 - Curb Specifications

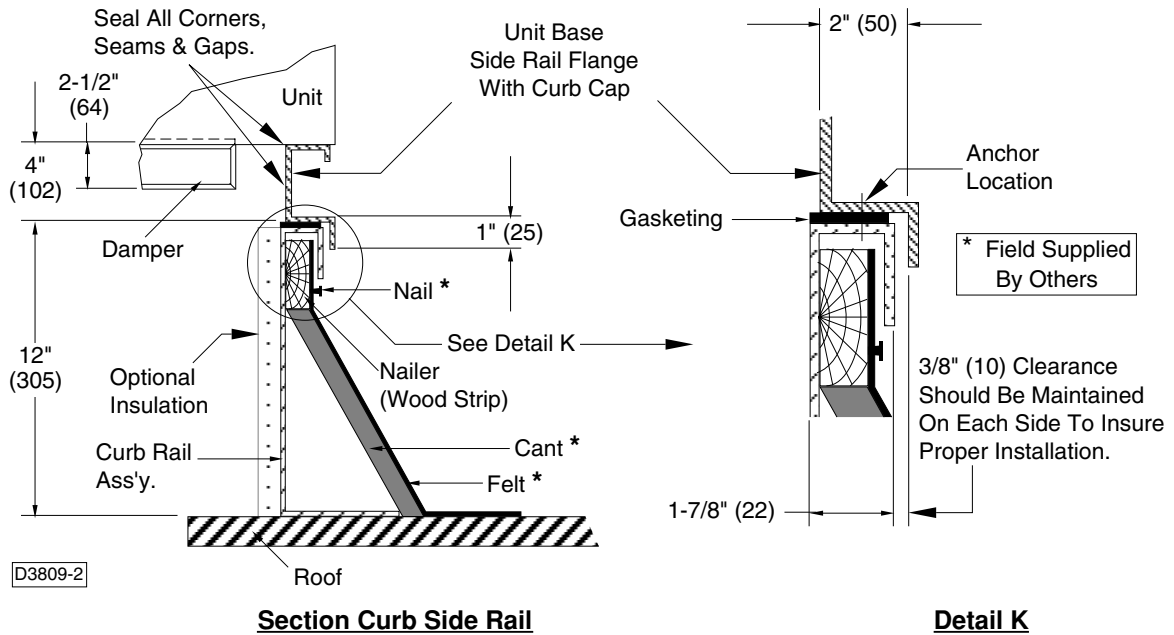
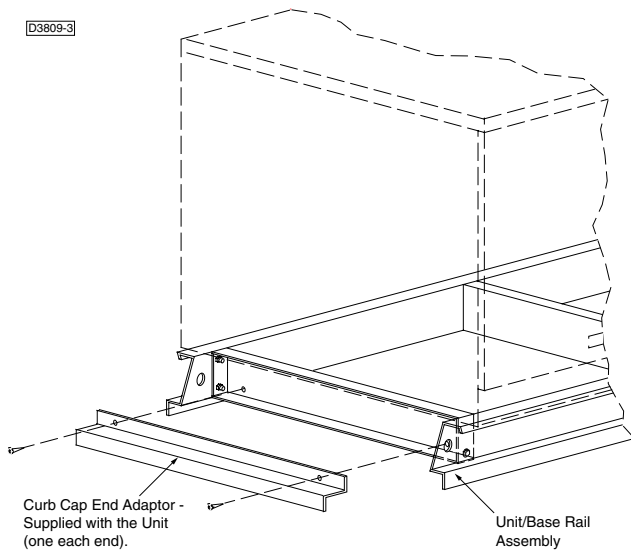


Figure 30 - Unit/Curb Rail Assembly



For Field Installations: These Cross Brace/Curb Adaptors (two adaptors ship with each rooftop unit) must be repositioned when the unit is mounted on a curb or platform (one for each end). Simply remove the screws, turn the piece over (end for end) and secure in place using the holes/hardware provided. **All joints and seams must be sealed completely to prevent leaks.**

Replacement Hardware Kit:
Part No. RCHK-13

Module Size

One size platform fits all Evaporative Cooler Modules, unit capacities 10 through 80.

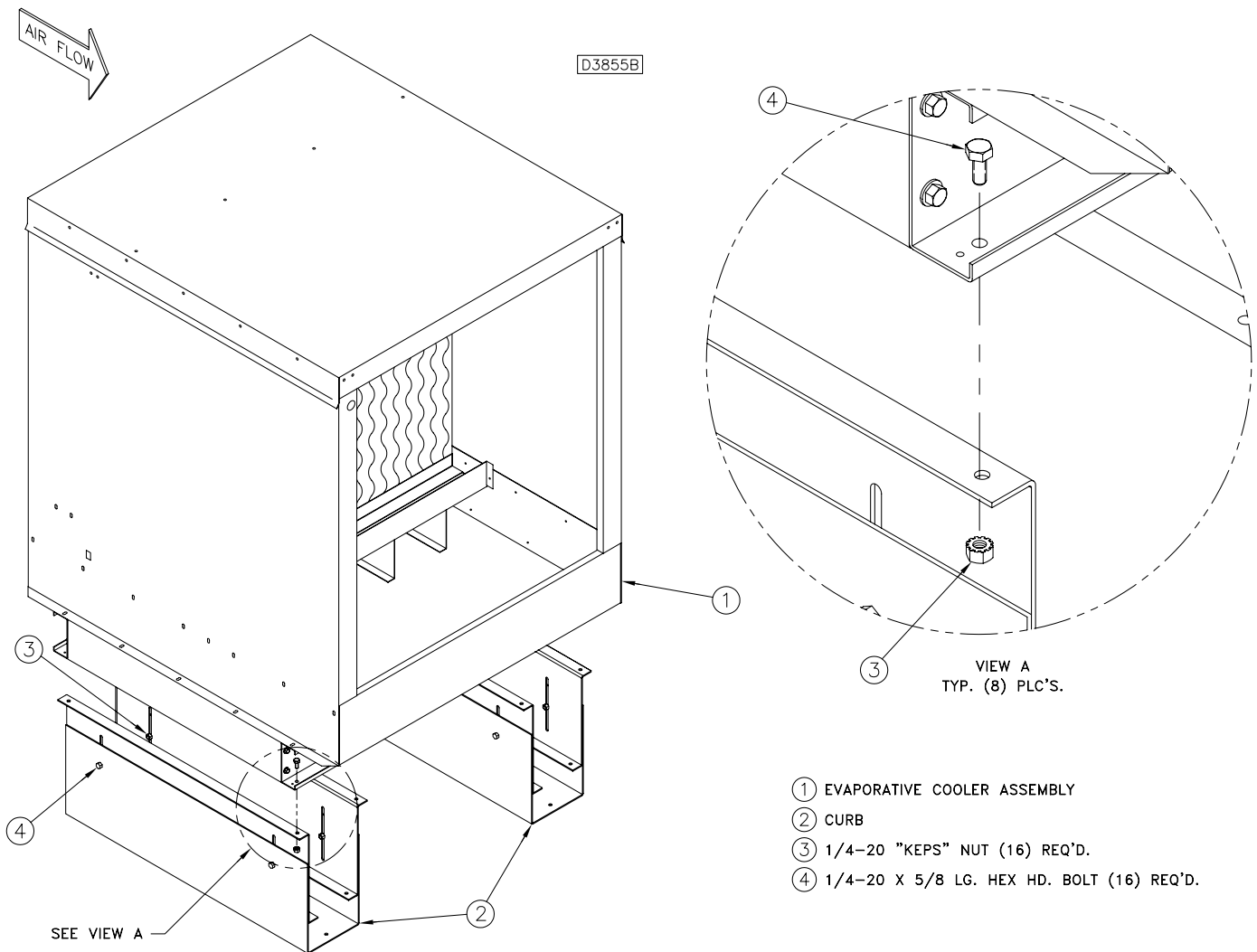
This platform is shipped knocked down for ease of handling and storage. The field assembly and mounting of the platform to the roof is the responsibility of the installer. This platform ships complete with two adjustable platform rails and hardware. See the figures for a complete parts list for your platform. Check to see that all components of the platform are included.

Approximate Roof Curb Kit Weights

Roof Curb Kit No.	Capacities (CA)	Weight (Lbs.)*
RC015-1	10/15	30
RC015-2	20/25/50	30
RC015-3	30/35/60/70	30
RC015-4	40/80	30

*1 Lb. = 0.453 kg

Figure 31 - Installation



EVAPORATIVE COOLER CURB/PLATFORM MOUNTING ASSY
7-21-03

Replacement Hardware Kit:
Part No. RCHK-15

▲ WARNING To avoid any property damage or personal injury, it is the installers responsibility to make sure that the installation will not impair the function of this curb, or the unit to be installed.

All platforms must be mounted on level areas. The roof must be suitable to support the weight of both the platform and the unit to be mounted.

Position and assemble the platform, referring to Figures 2 and 3, and the following procedure:

1. All hardware used for these assembly procedures is included with your platform, and should be used. **Do not** tighten any hardware until the platform is completely level and square, and installed in a suitable position on the roof, with proper alignment to the roof/unit.

2. Position and install the platform rails.
3. Secure the platform to the roof decking.
4. Follow all installation instructions with any other unit that may be used for this installation.

▲ WARNING To avoid any property damage or personal injury, it is the installer's responsibility that the roof curb and unit must be completely sealed, preventing any water or air leakage/damage.

- 1 - Evaporative Cooler Assembly
- 2 - Platform Curb
- 3 - 1/4-20 "keps" nut (8 required)
- 4 - 1/4-20 x 5/8 lg. hex head bolt (8 required)

Figure 32 - Evaporative Platform Curb to Rooftop Arrangement Installation

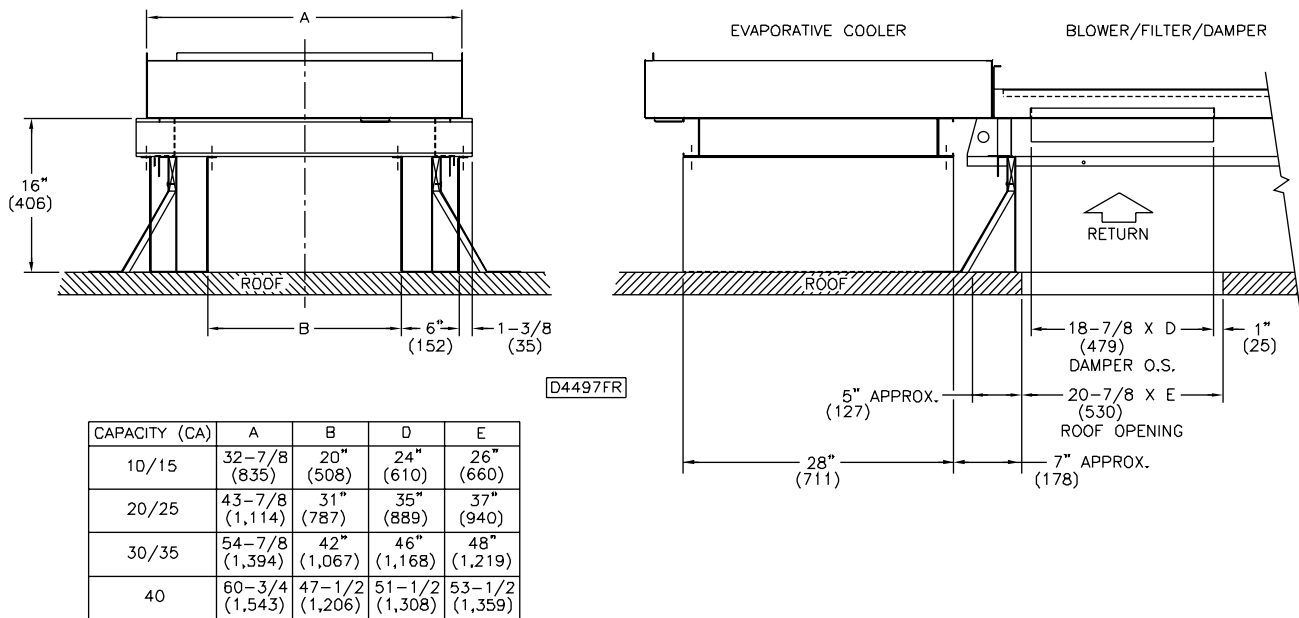
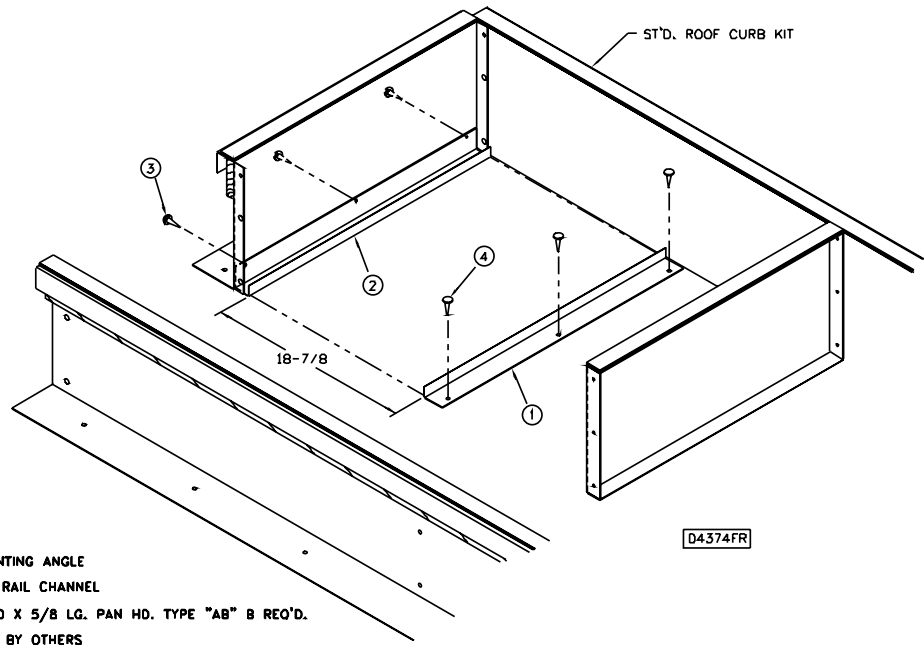


Figure 33 - Return Air Ductwork Mounting Bracket Assembly - RC016

RC016	CAPACITY (CA)	B
* - 1	10, 15	3
* - 2	20, 25, 50	4
* - 3	30, 35, 60, 70	4
* - 4	40, 80, 12	5



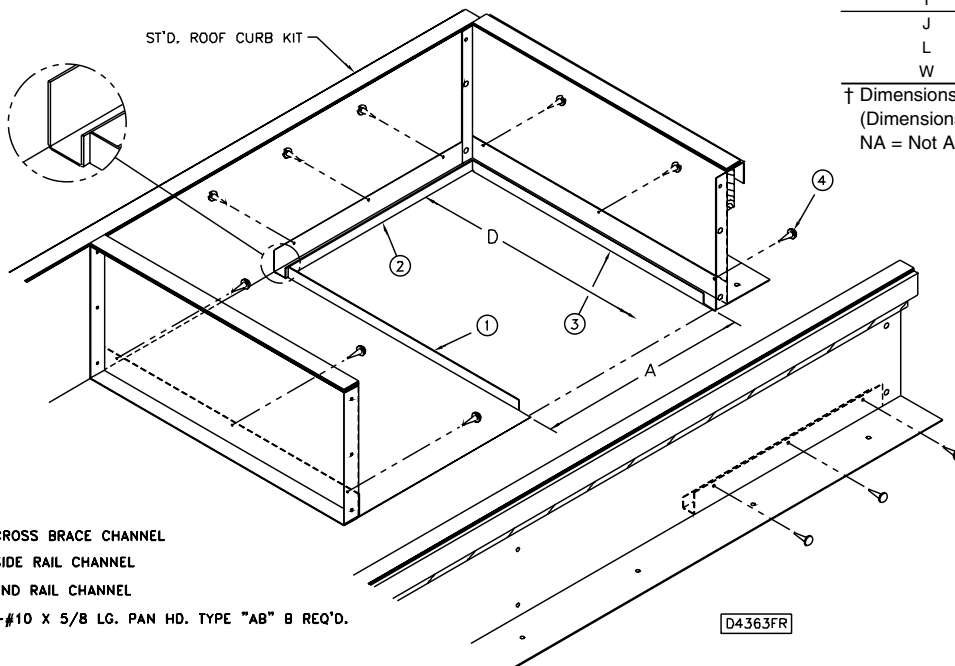
BLOWER/FILTER/DAMPER OR FILTER/DAMPER AREA

Figure 34 - Supply Air Ductwork Mounting Bracket Assembly - RC017, RC018

RC017/RC018	CAPACITY (CA)	D	B
* - 1	10, 15	24	12
* - 2	20, 25, 50	35	14
* - 3	30, 35, 60, 70	46	14
* - 4	40, 80, 12	51-1/2	16

Rooftop (RA) Arrangement	Capacity (CA)	A†
C, E	10 thru 40	18 - 7/8
N, R	20 or 40	(479)
C, E	50 thru 80	19 - 3/8 (492)
J	12	18 - 7/8
L	50 thru 80	(479)
J	20 thru 40	19 - 1/8
T	20 or 40	(486)
J	50 thru 80	19 - 1/4
L	10 thru 40	(489)
W	20 or 40	

† Dimensions are in inches.
(Dimensions in parenthesis are in millimeters.)
NA = Not Applicable



SUPPLY PLENUM AREA