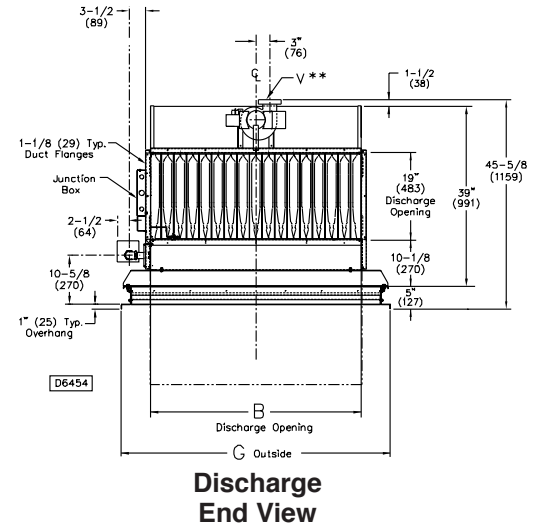
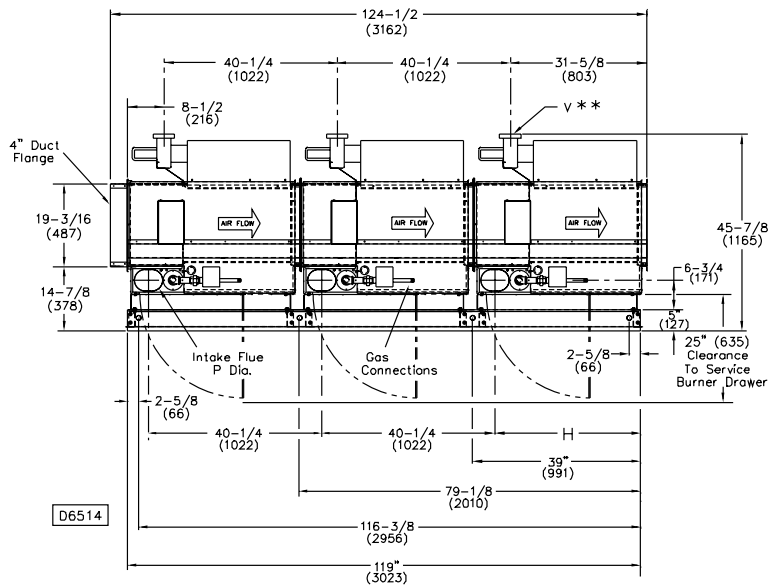


# ENGINEERED PRODUCTS

## Model - MS(12) (A, B)† A

Unit Type (UT) - MS, Separated Combustion Indoor Unit  
Capacity (CA) - (12) (1,200 mBTU)

Furnace Type (FT) - A, B Standard Temperature Rise (30-80)F°  
Indoor Arrangement (IA) - A, Duct Furnace



Capacity	A	B	C	D	G	H	L	U	P*	V Dia.**	GAS INLET	
											NAT	LP
<input type="checkbox"/> 12	60- 3/8 (1534)	45- 13/16 (1164)	30- 3/16 (767)	33- 1/8 (841)	58- 9/16 (1487)	36- 11/16 (932)	218-1/4 (5544)	217 (5512)	6 OV (152)	6 (152)	3/4	1/2 OR 3/4

**NOTE:**

Dimensions are in inches, dimensions in parenthesis are in millimeters.

\*OV = Oval

\*\* The 5" to 6" flue adapter is supplied by the manufacturer.



260 NORTH ELM ST. WESTFIELD, MA 01085  
(413) 564-5540 • FAX: (413) 562-5311  
www.sterlinghvac.com  A MESTEK COMPANY

Project: \_\_\_\_\_

Unit Tag: \_\_\_\_\_



## MS(12) (A, B)† A Weights, Material & Performance Data

### Unit Weights

Approximate weights for Arrangement "A"†		
Unit Type	Net Wt.†	Ship Wt.†
Capacity	(Lb.)	(Lb.)
MS12	1617	1820

Conversion 1 lb. = 0.453 kg.

†The approximate net and shipping weights shown are for a basic unit (these weights do not include any options).

### †(FM) Furnace Construction Material

- 1 - Aluminized Steel
- 2 - 409 Stainless Steel (First Furnace Only)
- 3 - 409 Stainless Steel (All Furnace Sections)
- 4 - 321 Stainless Steel (First Furnace Only)
- 5 - 321 Stainless Steel (All Furnace Sections)
- 6 - 409 Stainless Steel Package (First Furnace Only)
- 7 - 409 Stainless Steel Package (All Furnace Sections)
- 8 - 321 Stainless Steel Package (First Furnace Only)
- 9 - 321 Stainless Steel Package (All Furnace Sections)
- 0 - None
- Z1 - Other

### Performance Data

Unit Type MS Capacity 12 Furnace Type A,B Indoor Arrangement "A"	INPUT RATING BTU/Hr (kW)	OUTPUT RATING BTU/Hr (kW)	EFF. %	Temp. Rise F. Deg. (C Deg.)		CFM		Pressure Drop In. of Water		Nat. Gas Inlet (in.)	L.P. Gas Inlet (in.)
				MIN.	MAX.	(cu. m/s) MIN.	(cu. m/s) MAX.	(kPa) MIN.	(kPa) MAX.		
12 A/B	1,200,000 (351.4)	960,000 (281.1)	80	90 (50)	180 (100)	3,704 (1.748)	9,877 (4.662)	0.42 (0.10)	1.88 (0.47)	3/4	1/2 OR 3/4

### MODEL NUMBER

	1	2	3	4	5	6	7	8	9	10	11	12	13	14	15	16	+
(MXX)	M	S	*	*	*	†	A										

DIGITS 3 & 4 = (CA) CAPACITY, DIGIT, 5 = (FT) FURNACE TYPE, DIGIT 6 =†(FM) FURNACE MATERIAL.  
REFER TO CATALOG FOR MODEL NUMBER DESCRIPTION.