

INDOOR MAKE-UP AIR PRODUCTS

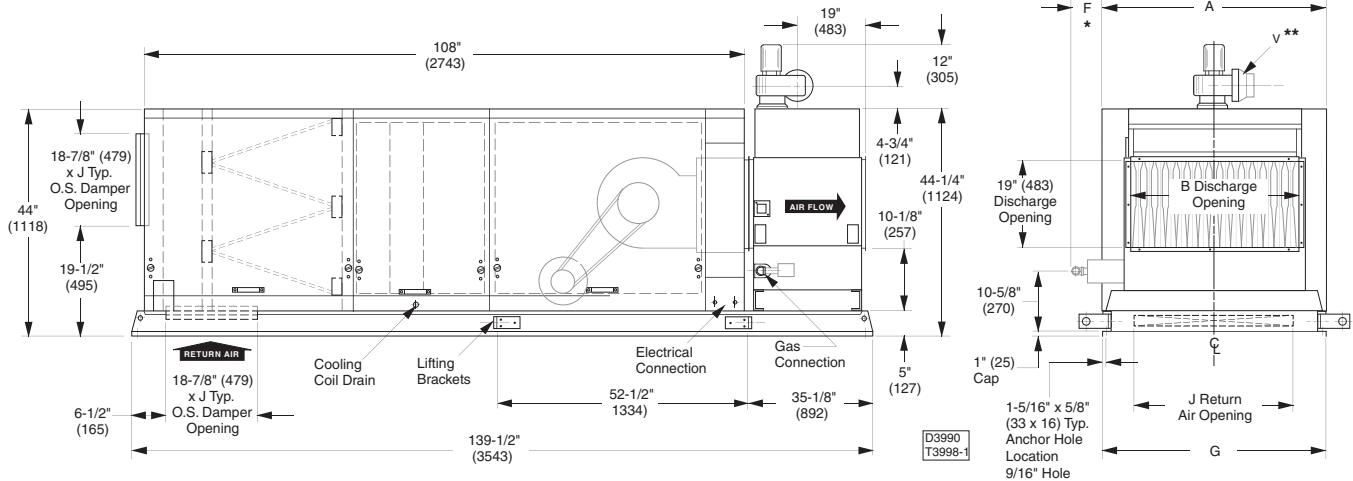
Model - ME(10-40) (A,B)† K

Unit Type (UT) - ME, Power Vent Unit

Capacity (CA) - (10-40) (100-400 mBTU)

Furnace Type (FT) - A, B Standard Temperature Rise (30-80)F°

Arrangement (RA) - K, High CFM Blower Unit with Cooling Module



CAPACITY	A	B	GAS INLET		F*	G	J	**V Dia.
			NAT	LP				
<input type="checkbox"/> 10	32- 7/8 (835)	15- 9/16 (395)	1/2	1/2	16- 3/8 (416)	31- 1/16 (789)	24 (610)	**4 (102)
<input type="checkbox"/> 15	32- 7/8 (835)	18- 5/16 (465)	1/2	1/2	20- 1/2 (521)	31- 1/16 (789)	24 (610)	**4 (102)
<input type="checkbox"/> 20	43- 7/8 (1114)	23-13/16 (605)	1/2	1/2	23- 1/2 (597)	42- 1/16 (1068)	35 (889)	5 (127)
<input type="checkbox"/> 25	43- 7/8 (1114)	29- 5/16 (745)	3/4	1/2 OR 3/4	31- 1/2 (800)	42- 1/16 (1068)	35 (889)	5 (127)
<input type="checkbox"/> 30	54- 7/8 (1394)	34-13/16 (884)	3/4	1/2 OR 3/4	34- 1/4 (870)	53- 1/16 (1348)	46 (1168)	**6 (152)
<input type="checkbox"/> 35	54- 7/8 (1394)	40- 5/16 (1024)	3/4	1/2 OR 3/4	42- 1/4 (1073)	53- 1/16 (1348)	46 (1168)	**6 (152)
<input type="checkbox"/> 40	60- 3/8 (1534)	45-13/16 (1164)	3/4	1/2 OR 3/4	48 (1219)	58- 9/16 (1487)	51- 1/2 (1308)	**6 (152)

NOTE:

Dimensions are in inches (Dimensions in parenthesis are in millimeters)

* "F" Dimension is the recommended clearance to service the burner drawer.

** "V" Dia. = The Flue Opening; Capacities 10 & 15 will require a field installed 5" to 4" Dia. Reducer.

Capacities 30/35/40 will require a 5" to 6" Dia. In increaser that will be supplied with the unit.

"J" is an outside dimension for outside or return air dampers.

Project: _____

Unit Tag: _____



260 NORTH ELM ST. WESTFIELD, MA 01085
(413) 564-5540 • FAX: (413) 562-5311

www.sterlinghvac.com A MESTEK COMPANY

The above dimensional drawing includes options that might not pertain to the unit being submitted for approval. Please note that the following items checked below are **not included** with the unit being submitted:

- Outside Air Opening / Dampers
- Cooling Coil in the Coil Module
- Return Air Openings / Dampers

ME(10-40) (A,B)† K Performance Table

Model						Max. 0.8 BTU/Hr.	TOTAL STATIC PRESSURE (INCHES OF WATER)										
Digits 3, 4, & 5 Input BTU/Hr.		Output		0.4	1		1.4	1.8	2			RPM	BHP	RPM	BHP	RPM	BHP
CA, FT	(°F)	CFM	Max.	Min.		RPM			BHP	RPM	BHP						
10	82	900				730	.18	965	.33	1065	.41	1230	.58	1375	.76	1440	.86
	74	1,000				745	.21	980	.37	1080	.46	1245	.64	1390	.83	1455	.93
	61	1,200				795	.29	1015	.47	1110	.57	1280	.77	1425	.99	1490	1.10
	53	1,400				850	.39	1050	.59	1145	.69	1310	.92	1455	1.16	1520	1.28
	46	1,600	100,000	40,000	80,000	910	.52	1095	.73	1180	.85	1340	1.09	1485	1.36	1550	1.49
	41	1,800				980	.68	1145	.90	1225	1.03	1375	1.29	1515	1.57	1585	1.72
	37	2,000				1050	.87	1200	1.11	1275	1.24	1420	1.52	1550	1.82	1615	1.98
	34	2,200				1125	1.11	1265	1.36	1330	1.50	1465	1.79	1590	2.11	1655	2.27
31	2,400				1200	1.38	1330	1.66	1390	1.80	1515	2.11	1635	2.44	1695	2.61	
15	79	1,400				745	.31	960	.49	1055	.59	1235	.81	1385	1.05	1460	1.17
	74	1,500				770	.35	970	.54	1065	.65	1240	.87	1395	1.12	1465	1.24
	55	2,000				895	.65	1060	.89	1135	1.00	1285	1.26	1425	1.54	1495	1.69
	44	2,500	150,000	60,000	120,000	1035	1.13	1180	1.40	1245	1.55	1370	1.84	1490	2.14	1550	2.30
	37	3,000				1180	1.84	1310	2.12	1370	2.28	1480	2.64	1585	2.98	1640	3.16
	32	3,500				1335	2.79	1450	3.10	1505	3.27	1605	3.66	1705	4.07	1750	4.27
	31	3,600				1370	3.02	1475	3.34	1530	3.50	1630	3.89	1730	4.32	1775	4.53
20	82	1,800				495	.29	650	.49	720	.59	835	.82	940	1.07	985	1.20
	74	2,000				510	.35	665	.56	730	.67	845	.91	950	1.17	995	1.31
	59	2,500				560	.55	695	.79	755	.92	870	1.20	970	1.48	1015	1.63
	49	3,000	200,000	80,000	160,000	620	.84	735	1.09	795	1.24	900	1.56	995	1.88	1040	2.05
	42	3,500				685	1.23	790	1.50	840	1.65	935	2.00	1025	2.37	1065	2.56
	37	4,000				755	1.73	845	2.04	890	2.20	975	2.55	1060	2.95	1100	3.16
	33	4,500				825	2.37	905	2.72	950	2.90	1025	3.25	1105	3.65	1140	3.87
	30	4,900				885	2.98	960	3.36	995	3.56	1070	3.94	1140	4.34	1175	4.55
25	80	2,300				520	.43	665	.66	730	.78	845	1.04	945	1.31	995	1.45
	74	2,500				540	.52	675	.75	740	.88	855	1.15	955	1.44	1000	1.58
	61	3,000				595	.79	710	1.03	770	1.17	875	1.49	975	1.81	1020	1.98
	53	3,500	250,000	100,000	200,000	655	1.15	760	1.42	810	1.56	905	1.89	1000	2.26	1040	2.45
	46	4,000				720	1.61	810	1.93	855	2.08	945	2.41	1030	2.79	1070	3.00
	41	4,500				790	2.21	870	2.55	910	2.73	990	3.08	1065	3.45	1105	3.66
	37	5,000				860	2.95	930	3.31	965	3.51	1040	3.90	1110	4.29	1145	4.49
	34	5,500				935	3.84	995	4.22	1025	4.43	1095	4.87	1160	5.30	1195	5.51
30	82	2,700				520	.47	705	.89	785	1.12	915	1.60	1025	2.10	1070	2.36
	74	3,000				530	.56	710	.99	790	1.24	925	1.76	1035	2.29	1085	2.57
	55	4,000	300,000	120,000	240,000	595	.95	740	1.43	810	1.70	940	2.30	1060	2.96	1110	3.30
	44	5,000				670	1.55	795	2.10	850	2.39	965	3.03	1075	3.74	1125	4.12
	37	6,000				750	2.40	860	3.02	910	3.35	1010	4.05	1105	4.80	1155	5.19
	32	7,000				840	3.54	935	4.25	985	4.62	1070	5.38	1155	6.19	1200	6.61
	30	7,400				875	4.09	970	4.84	1015	5.22	1100	6.02	1180	6.85	1220	7.28
	35	81	3,200				495	.50	655	.87	720	1.07	840	1.51	940	2.00	985
65		4,000				530	.74	680	1.17	745	1.40	860	1.88	960	2.41	1005	2.68
52		5,000				585	1.17	720	1.67	780	1.94	890	2.50	985	3.07	1030	3.37
43		6,000	350,000	140,000	280,000	650	1.79	765	2.33	820	2.64	925	3.29	1015	3.94	1060	4.28
37		7,000				720	2.65	825	3.21	870	3.53	965	4.25	1055	5.01	1095	5.38
32		8,000				795	3.75	885	4.37	930	4.70	1015	5.44	1095	6.27	1135	6.70
30		8,600				840	4.54	925	5.21	965	5.55	1045	6.30	1125	7.15	1165	7.60
40	80	3,700				500	.61	660	1.02	725	1.23	840	1.69	945	2.20	990	2.47
	74	4,000				515	.70	665	1.13	730	1.36	850	1.83	950	2.35	995	2.63
	59	5,000				565	1.11	700	1.60	760	1.87	875	2.41	975	2.99	1020	3.29
	49	6,000	400,000	160,000	320,000	625	1.70	745	2.21	800	2.51	905	3.15	1000	3.81	1045	4.14
	42	7,000				695	2.50	795	3.05	845	3.35	940	4.05	1030	4.80	1075	5.18
	37	8,000				760	3.52	855	4.15	900	4.47	985	5.17	1070	5.97	1110	6.40
	33	9,000				835	4.82	915	5.53	960	5.88	1035	6.59	1115	7.40	1150	7.85
30	9,800				895	6.07	970	6.84	1010	7.23	1080	7.99	1150	8.80	1190	9.24	

NOTES: Indoor Arrangements (IA) "K" may utilize a maximum air flow of 6500 CFM (3.1 m³/s) when the system is in the cooling mode. A higher air flow, up to 9,800 CFM (4.6 m³/s), may be achieved when the system utilizes a 2-speed motor in the heating mode.

The pressure drop for Accessories (from the following table) must be allowed for when using the above Performance table.

Unless otherwise specified, the following conversions may be used for calculating SI units:

1 Cu. Ft. = 0.028m³, 1 ft. = 0.305m, 1 in. = 25.4mm, 1 psig = 6.894 kPa, 1000 Btu per hr. = 0.293 kW,

1 in. water column = 0.249 kPa, 1 gallon = 3.785 L, 1000 Btu/Cu. Ft. = 37.5 MJ/m³, 1 lb. = 0.453 kg.

Indoor Arrangement (K) DX Cooling Coil Performance Data (Ref. R-22) 80°F Entering Dry Bulb, 67°F Entering Wet Bulb

Unit Capacity (CA)	Air Flow (SCFM)	Face Velocity (FPM)	Fin Spacing (FPF)	Capacity based on 80°F EDB, 67°F EWB, 45°F Sat. Suction, 100°F Liquid									
				NUMBER OF ROWS									
				4				Fin	6				
				Capacity (MBH)	L.A.T. (DB / WB)	A.P.D. In.W.C.	WT. (LBS)	Spacing (FPF)	Capacity (MBH)	L.A.T. (DB / WB)	A.P.D. In.W.C.	WT. (LBS)	
10	1600	320	91	47	59/ 57	0.24	86.1						
		320	121	53	57/ 56	0.27	90.3						
		320	154	58	55/ 55	0.32	94.9						
	2400	480	97	62	60/ 58	0.45	87	100	74	57/ 57	0.67	118	
		480	126	70	58/ 57	0.52	91	135	83	56/ 55	0.80	125.4	
		480	160	77	57/ 56	0.63	95.8	166	89	55/ 55	0.98	131.9	
15	1600	320	91	47	59/ 57	0.24	86.1						
		320	121	53	57/ 56	0.27	90.3						
		320	154	58	55/ 55	0.32	94.9						
	3000	601	100	71	61/ 59	0.63	87.4	97	84	59/ 58	0.92	117.4	
		601	136	82	59/ 58	0.75	92.4	109	89	58/ 57	0.98	119.9	
		601	147	85	58/ 58	0.81	94	132	96	57/ 56	1.10	124.7	
20	2100	284	102	73	56/ 55	0.22	115	99	85	54/ 53	0.31	157.2	
		284	130	79	56/ 55	0.24	120.8	131	92	52/ 52	0.36	167.1	
		284	162	84	54/ 54	0.28	127.4	165	97	51/ 51	0.43	177.6	
	4400	596	104	106	61/ 59	0.63	115.3	102	143	57/ 56	0.97	158.1	
		596	133	120	59/ 58	0.73	121.3	130	156	55/ 55	1.11	166.8	
		596	148	126	58/ 58	0.80	124.4	149	163	55/ 55	1.23	172.7	
25	2500	338	98	80	58/ 56	0.28	114.1	102	98	54/ 54	0.42	158.1	
		338	135	89	56/ 55	0.33	121.8	134	106	53/ 53	0.48	168	
		338	159	93	55/ 55	0.37	126.7	167	112	52/ 52	0.58	178.3	
	4400	596	104	106	61/ 59	0.63	115.3	102	143	57/ 56	0.97	158.1	
		596	133	120	59/ 58	0.73	121.3	130	156	55/ 55	1.11	166.8	
		596	148	126	58/ 58	0.80	124.4	149	163	55/ 55	1.23	172.7	
30	2800	286	104	96	56/ 56	0.22	147.8	101	119	53/ 53	0.33	204	
		286	131	105	55/ 54	0.24	155.1	127	126	52/ 52	0.36	214.7	
		286	159	112	54/ 54	0.28	162.8	159	132	51/ 51	0.42	227.8	
	5800	593	100	148	60/ 59	0.63	146.7	100	178	58/ 57	0.93	203.4	
		593	129	167	59/ 57	0.73	154.6	131	199	56/ 56	1.09	216.1	
		593	151	178	58/ 57	0.83	160.6	151	211	55/ 55	1.25	224.5	
35	3200	327	105	106	57/ 56	0.27	148	103	132	53/ 53	0.41	204.8	
		327	132	116	55/ 55	0.30	155.4	130	140	52/ 52	0.45	215.9	
		327	164	125	54/ 54	0.36	164.2	158	146	51/ 51	0.52	227.4	
	5800	593	98	147	61/ 59	0.63	146.1	100	178	58/ 57	0.93	203.4	
		593	129	167	59/ 57	0.73	154.6	131	199	56/ 56	1.09	216.1	
		593	151	178	58/ 57	0.83	160.6	151	211	55/ 55	1.25	224.5	
40	3700	340	108	125	57/ 56	0.30	161.4	103	151	53/ 53	0.44	222.9	
		340	138	137	55/ 55	0.33	170.6	135	161	52/ 52	0.50	237.5	
		340	163	145	54/ 54	0.38	178.2	161	167	52/ 52	0.57	249.3	
	6500	599	100	168	60/ 58	0.65	159	109	212	57/ 56	1.02	225.6	
		599	127	186	59/ 58	0.74	167.2	135	232	55/ 55	1.14	237.3	
		599	150	198	58/ 57	0.84	174.2	150	241	55/ 55	1.25	244.1	

CONVERSIONS: 2119 SCFM = 1 m³/s, 196.8 FPM = 1 m/s, 3.412 MBH = 1 kW, (°F-32) 5/9= °C, 1 IN. W.C. = 248.8 Pa, 1 LB. = 0.453 kg.

- NOTES: 1) Data certified in accordance with ARI Standard 410.
 2) Capacity based on 80°F EDB, 67°F EWB, 45°F Sat. Suction, 100° F Liquid.
 3) Weight listed is the total weight of the dry coil.
 4) Coils denoted by an asterisk (*) require special pricing.
 5) Consult customer service department for special coil requirements.

Indoor Arrangement (K) DX Cooling Coil Performance Data (Ref. R-22) 95°F Entering Dry Bulb, 74°F Entering Wet Bulb

Unit Capacity (CA)	Air Flow (SCFM)	Face Velocity (FPM)	Fin Spacing (FPF)	Capacity based on 95°F EDB, 74°F EWB, 45°F Sat. Suction, 100°F Liquid											
				NUMBER OF ROWS								Fin Spacing (FPF)			
				4				6							
				Capacity (MBH)	L.A.T. (DB / WB)	A.P.D. In.W.C.	WT. (LBS)	Capacity (MBH)	L.A.T. (DB / WB)	A.P.D. In.W.C.	WT. (LBS)				
10	1600	320	96	78	62/ 60	0.26	86.8	94	91	95/ 74	0.37	116.8			
		320	125	86	59/ 58	0.29	90.9	132	101	55/ 55	0.43	124.7			
		320	161	93	57/ 57	0.34	95.9	167	107	54/ 53	0.53	132.1			
	2400	480	101	100	64/ 62	0.47	87.5	102	125	59/ 59	0.71	118.4			
		480	139	107	62/ 61	0.54	92.7	135	138	57/ 57	0.83	125.4			
		480	149	115	61/ 60	0.6	94.2	162	146	56/ 56	0.98	131			
15	1600	320	96	78	62/ 60	0.26	86.8	101	93	57/ 57	0.38	118.2			
		320	125	86	59/ 58	0.29	90.9	132	101	55/ 55	0.43	124.7			
		320	161	93	57/ 57	0.34	95.9	160	106	54/ 54	0.50	130.6			
	3000	601	101	111	66/ 63	0.65	87.5	99	143	61/ 60	0.96	117.8			
		601	134	121	64/ 62	0.74	92	128	158	59/ 58	1.11	123.9			
		601	149	128	63/ 62	0.82	94.2	147	166	58/ 58	1.23	127.9			
20	2100	284	101	108	60/ 59	0.21	114.6	98	133	55/ 55	0.32	156.9			
		284	126	118	58/ 57	0.24	119.8	134	144	53/ 53	0.37	168			
		284	156	127	56/ 56	0.27	126	164	150	52/ 52	0.43	177.3			
	4400	596	93	165	67/ 63	0.62	113	98	215	61/ 60	0.96	156.9			
		596	134	195	63/ 61	0.75	121.5	134	234	59/ 58	1.12	167.8			
		596	150	204	62/ 61	0.83	124.8	150	244	58/ 57	1.23	172.8			
25	2500	338	98	118	62/ 60	0.28	114.1	107	143	57/ 57	0.42	159.4			
		338	129	135	59/ 58	0.32	120.4	136	154	56/ 55	0.48	168.4			
		338	157	145	57/ 57	0.36	126.2	164	162	54/ 54	0.56	177.1			
	4400	596	93	165	67/ 63	0.62	113	98	215	61/ 60	0.96	156.9			
		596	134	195	63/ 61	0.75	121.5	134	234	59/ 58	1.12	167.8			
		596	150	204	62/ 61	0.83	124.8	150	244	58/ 57	1.23	172.8			
30	2800	286	106	138	61/ 60	0.22	148.1	102	175	55/ 55	0.33	204.2			
		286	137	153	58/ 58	0.25	156.5	122	187	54/ 53	0.36	212.6			
		286	167	178	55/ 55	0.30	165	163	197	52/ 52	0.43	229.2			
	5800	593	97	225	66/ 63	0.64	145.8	98	290	60/ 59	0.95	202.5			
		593	138	254	63/ 61	0.75	156.8	132	326	58/ 57	1.13	216.5			
		593	151	265	62/ 61	0.83	160.6	151	341	57/ 56	1.26	224.3			
35	3200	327	95	162	61/ 59	0.27	145.3	104	195	56/ 56	0.40	205			
		327	130	181	58/ 57	0.31	154.9	139	212	54/ 54	0.47	219.4			
		327	152	190	57/ 56	0.34	160.9	162	220	53/ 53	0.53	228.8			
	5800	593	92	183	62/ 60	0.28	156.6	98	290	60/ 59	0.95	202.5			
		593	135	198	59/ 58	0.32	169.4	132	326	58/ 57	1.13	216.5			
		593	151	265	62/ 61	0.83	160.6	151	341	57/ 56	1.26	224.3			
40	3700	340	92	183	62/ 60	0.28	156.6	100	225	56/ 56	0.43	221.3			
		340	135	198	59/ 58	0.32	169.4	134	245	54/ 54	0.49	236.8			
		340	162	212	57/ 57	0.38	177.6	161	256	53/ 53	0.57	249.1			
	6500	599	103	251	66/ 63	0.64	159.7	97	328	60/ 59	0.96	219.9			
		599	134	287	63/ 61	0.75	169.1	132	367	58/ 57	1.14	235.9			
		599	149	302	62/ 60	0.82	173.7	150	381	57/ 56	1.26	244.1			

CONVERSIONS: 2119 SCFM = 1 m³/s, 196.8 FPM = 1 m/s, 3.412 MBH = 1 kW, (°F-32) 5/9 = °C, 1 IN. W.C. = 248.8 Pa, 1 LB. = 0.453 kg.

- NOTES: 1) Data certified in accordance with ARI Standard 410.
 2) Capacity based on 95°F EDB, 74°F EWB, 45°F Sat. Suction, 100° F Liquid.
 3) Weight listed is the total weight of the dry coil.
 4) Consult customer service department for special coil requirements.

Indoor Arrangement (K)

Chilled Water Cooling Coil Performance Data

80°F Entering Dry Bulb, 67°F Entering Wet Bulb

Unit Capacity (CA)	Air Flow (SCFM)	Face Velocity (FPM)	Fin Spacing (FPF)	Capacity based on 80°F EDB, 67°F EWB, 45°F EWT, 70 GPM										
				NUMBER OF ROWS								Fin Spacing (FPF)	6	
				4				5		6				
				Capacity (MBH)	L.A.T. (DB / WB)	A.P.D. In.W.C.	WT. (LBS)	Capacity (MBH)	L.A.T. (DB / WB)	A.P.D. In.W.C.	WT. (LBS)			
10	1000	200	84	46	52/ 51	0.10	63.5	84	54	48/ 48	0.15	85.9		
		200	93	48	51/ 50	0.10	64.8	97	56	47/ 47	0.17	88.6		
		200	97	50	50/ 49	0.11	66.8	120	58	46/ 46	0.19	93.4		
	2400	480	84	80	58/ 56	0.41	63.5	85	102	53/ 53	0.62	86.1		
		480	112	90	56/ 54	0.48	67.4	116	112	51/ 51	0.73	92.6		
		480	152	100	53/ 53	0.59	73	157	121	50/ 49	0.91	101.2		
15	1400	280	88	60	54/ 52	0.18	64.1	84	70	50/ 49	0.26	85.9		
		280	130	68	51/ 50	0.22	70	100	74	49/ 49	0.30	89.3		
		280	167	76	48/ 48	0.27	76.6	151	82	46/ 46	0.37	102.1		
	2900	581	84	94	59/ 56	0.54	65	84	112	55/ 54	0.81	85.9		
		581	122	102	56/ 55	0.66	68.8	114	125	53/ 52	0.96	92.2		
		581	157	122	53/ 53	0.81	75.2	153	145	50/ 50	1.19	102.6		
20	1800	243	84	78	53/ 52	0.14	82.5	84	93	49/ 49	0.21	113.1		
		243	128	90	50/ 50	0.18	91.6	103	98	48/ 48	0.24	119		
		243	168	96	48/ 48	0.22	99.8	159	105	46/ 46	0.30	136.3		
	4300	582	84	127	60/ 57	0.54	82.5	84	163	55/ 54	0.82	113.1		
		582	115	145	57/ 56	0.64	88.9	110	179	53/ 53	0.94	121.1		
		582	157	162	55/ 54	0.80	97.6	150	196	52/ 51	1.15	133.5		
25	2300	311	84	92	55/ 53	0.21	82.5	84	111	51/ 50	0.31	113.1		
		311	122	105	52/ 51	0.26	90.3	115	121	49/ 49	0.38	122.7		
		311	163	120	49/ 49	0.32	101	153	132	47/ 47	0.44	137.7		
	4300	582	84	127	60/ 57	0.54	82.5	84	163	55/ 54	0.82	113.1		
		582	115	145	57/ 56	0.64	88.9	103	175	54/ 53	0.91	119		
		582	157	162	55/ 54	0.80	97.6	125	186	53/ 52	1.00	125.8		
30	2700	276	84	112	54/ 53	0.17	106.5	84	134	50/ 50	0.26	146.9		
		276	129	129	51/ 51	0.22	118.8	115	145	48/ 48	0.31	159.6		
		276	160	143	49/ 48	0.25	130.2	155	157	46/ 46	0.37	180.3		
	5700	583	84	165	60/ 57	0.55	106.5	84	211	56/ 55	0.82	146.9		
		583	102	179	58/ 57	0.60	111.5	102	226	54/ 54	0.89	154.3		
		583	125	194	57/ 56	0.67	117.7	126	241	53/ 53	1.00	164.1		
35	3200	327	84	124	55/ 54	0.23	106.5	84	151	51/ 51	0.34	146.9		
		327	88	133	54/ 53	0.24	110.5	103	160	50/ 50	0.39	154.7		
		327	156	152	51/ 51	0.33	126.2	124	167	49/ 49	0.42	163.3		
	5700	583	84	165	60/ 57	0.55	106.5	84	211	56/ 55	0.82	146.9		
		583	102	179	58/ 57	0.60	111.5	102	226	54/ 54	0.89	154.3		
		583	125	194	57/ 56	0.67	117.7	126	241	53/ 53	1.00	164.1		
40	3700	340	84	140	56/ 54	0.24	115.2	84	171	52/ 51	0.36	159.2		
		340	122	160	53/ 52	0.30	126.7	109	184	50/ 50	0.42	170.6		
		340	162	174	51/ 51	0.36	138.9	160	200	48/ 48	0.54	193.9		
	6300	580	84	181	60/ 57	0.54	115.2	84	231	56/ 55	0.81	159.2		
		580	104	198	58/ 57	0.60	121.2	104	249	54/ 54	0.89	168.4		
		580	146	225	56/ 55	0.73	134	125	264	53/ 53	0.98	177.9		

CONVERSIONS: 2119 SCFM = 1 m³/s, 196.8 FPM = 1 m/s, 3.412 MBH = 1 kW, (°F-32) 5/9 = °C, 1 IN. W.C. = 248.8 Pa, 1 LB. = 0.453 kg.

NOTES: 1) Data certified in accordance with ARI Standard 410.

2) Capacity based on 80°F EDB, 67°F EWB, 45°F EWT, 70 GPM.

3) Weight listed is the total weight of the dry coil.

4) Consult customer service department for special coil requirements.

Indoor Arrangement (K)

Chilled Water Cooling Coil Performance Data

95°F Entering Dry Bulb, 74°F Entering Wet Bulb

Unit Capacity (CA)	Air Flow (SCFM)	Face Velocity (FPM)	Fin Spacing (FPF)	Capacity based on 95°F EDB, 74°F EWB, 45°F EWT, 70 GPM									
				NUMBER OF ROWS									
				4				Fin Spacing	6				
				Capacity (MBH)	L.A.T. (DB / WB)	A.P.D. In.W.C.	WT. (LBS)	(FPF)	Capacity (MBH)	L.A.T. (DB / WB)	A.P.D. In.W.C.	WT. (LBS)	
10	1000	200	84	66	55/ 54	0.10	63.5	84	77	50/ 49	0.15	85.9	
		200	94	69	54/ 53	0.11	64.9	114	82	48/ 48	0.18	92.2	
		200	163	79	49/ 49	0.15	74.6	146	86	46/ 46	0.21	101.1	
	2400	480	84	121	62/ 59	0.41	65	84	143	57/ 56	0.62	85.9	
		480	120	130	60/ 58	0.50	68.6	107	155	55/ 54	0.71	90.7	
		480	162	144	57/ 56	0.62	74.4	153	180	50/ 50	0.89	102.6	
15	1400	280	84	83	58/ 56	0.18	63.5	84	100	50/ 49	0.26	85.9	
		280	109	96	54/ 53	0.21	68.5	113	108	50/ 49	0.32	92	
		280	160	107	50/ 50	0.26	75.6	155	114	48/ 48	0.37	100.8	
	2900	581	84	123	66/ 62	0.54	63.5	84	159	59/ 58	0.81	85.9	
		581	104	135	63/ 60	0.61	66.3	109	174	57/ 56	0.93	91.1	
		581	125	145	61/ 59	0.66	69.3	152	192	54/ 54	1.15	100.2	
20	1800	243	84	111	57/ 55	0.14	82.5	84	132	51/ 51	0.21	113.1	
		243	101	119	55/ 54	0.16	86	106	140	49/ 49	0.24	119.9	
		243	126	127	53/ 52	0.18	91.2	152	152	47/ 46	0.29	137.4	
	4300	582	84	179	66/ 62	0.54	82.5	84	230	60/ 58	0.81	113.1	
		582	103	195	64/ 61	0.60	86.4	112	254	57/ 56	0.93	121.8	
		582	126	211	61/ 60	0.66	91.2	154	279	54/ 54	1.16	134.8	
25	2300	311	84	130	59/ 57	0.21	82.5	84	158	53/ 53	0.31	113.1	
		311	111	144	56/ 55	0.25	88.1	110	170	51/ 51	0.37	121.1	
		311	163	161	53/ 52	0.31	98.8	154	188	48/ 48	0.45	138	
	4300	582	84	179	66/ 62	0.54	82.5	84	230	60/ 58	0.81	113.1	
		582	103	195	64/ 61	0.60	86.4	112	254	57/ 56	0.93	121.8	
		582	126	211	61/ 60	0.66	91.2	154	279	54/ 54	1.16	134.8	
30	2700	276	84	158	58/ 56	0.17	106.5	84	190	53/ 52	0.26	146.9	
		276	110	174	55/ 54	0.20	113.6	106	202	51/ 50	0.30	155.9	
		276	156	192	52/ 52	0.25	126.2	155	217	48/ 48	0.37	176	
	5700	583	84	232	66/ 62	0.54	106.5	84	297	60/ 59	0.80	146.9	
		583	110	260	63/ 61	0.61	113.6	112	328	58/ 57	0.92	158.4	
		583	158	297	60/ 59	0.78	126.8	156	362	55/ 55	1.16	176.4	
35	3200	327	84	175	60/ 58	0.23	106.5	84	214	54/ 53	0.34	146.9	
		327	108	192	57/ 56	0.26	113.1	109	230	52/ 52	0.40	157.1	
		327	156	215	54/ 53	0.32	126.2	156	248	49/ 49	0.49	176.4	
	5700	583	84	232	66/ 62	0.54	106.5	84	297	60/ 59	0.80	146.9	
		583	111	261	63/ 61	0.61	113.9	112	328	58/ 57	0.92	158.4	
		583	155	295	60/ 59	0.77	125.9	156	362	55/ 55	1.16	176.4	
40	3700	340	84	198	61/ 58	0.24	115.2	84	242	55/ 54	0.36	159.2	
		340	114	221	57/ 56	0.29	124.3	111	262	52/ 52	0.43	171.6	
		340	159	245	54/ 54	0.35	137.9	156	293	49/ 49	0.52	196.8	
	6300	580	84	255	66/ 62	0.53	115.2	84	326	60/ 59	0.79	159.2	
		580	104	279	64/ 61	0.59	121.2	110	358	58/ 57	0.90	171.1	
		580	126	301	62/ 60	0.65	127.9	155	396	55/ 55	1.14	191.6	

CONVERSIONS: 2119 SCFM = 1 m³/s, 196.8 FPM = 1 m/s, 3.412 MBH = 1 kW, (°F-32) 5/9= °C, 1 IN. W.C. = 248.8 Pa, 1 LB. = 0.453 kg.

NOTES: 1) Data certified in accordance with ARI Standard 410.

2) Capacity based on 95°F EDB, 74°F EWB, 45°F EWT, 70 GPM.

3) Weight listed is the total weight of the dry coil.

4) Consult customer service department for special coil requirements.

ME(10-40) (A,B)† K Accessories Pressure Drop Table

CAPACITY	CFM	PRESSURE LOSS (INCHES OF WATER)							OUTSIDE OR RETURN AIR DAMPER
		OPTIONAL RAINHOOD WITH		FILTERS					
		SCREEN	ELIM	THROWAWAY 2"	WASHABLE 1" 2"		PLEATED 1" 2"		
10	900	.01	.02	.01	<.01	<.01	<.01	<.01	.02
	1,000	.01	.02	.01	<.01	<.01	.01	<.01	.02
	1,200	.02	.03	.02	<.01	<.01	.02	<.01	.03
	1,400	.03	.04	.02	<.01	<.01	.02	<.01	.04
	1,600	.04	.05	.03	<.01	<.01	.03	.01	.06
	1,800	.05	.06	.03	<.01	<.01	.03	.02	.07
	2,000	.06	.07	.04	<.01	<.01	.04	.02	.09
	2,200	.07	.09	.04	<.01	<.01	.04	.02	.10
2,400	.08	.11	.05	<.01	<.01	.05	.03	.12	
15	1,400	.03	.04	.02	<.01	<.01	.02	<.01	.04
	1,500	.03	.04	.02	<.01	<.01	.02	.01	.05
	2,000	.06	.07	.04	<.01	<.01	.04	.02	.09
	2,500	.09	.12	.05	<.01	.01	.05	.03	.13
	3,000	.13	.17	.06	.01	.02	.07	.04	.19
	3,500	.18	.23	.08	.01	.02	.09	.05	.25
	3,600	.19	.24	.08	.02	.02	.10	.05	.27
20	1,800	.02	.03	.03	<.01	<.01	.03	.02	.03
	2,000	.03	.04	.04	<.01	<.01	.04	.02	.04
	2,500	.04	.06	.05	<.01	.01	.05	.03	.06
	3,000	.06	.08	.06	.01	.02	.07	.04	.08
	3,500	.09	.11	.08	.01	.02	.09	.05	.11
	4,000	.11	.15	.09	.02	.03	.12	.07	.15
	4,500	.14	.19	.11	.02	.03	.14	.08	.19
	4,900	.17	.22	.12	.03	.04	.16	.10	.22
25	2,300	.04	.05	.04	<.01	<.01	.05	.02	.05
	2,500	.04	.06	.05	<.01	.01	.05	.03	.06
	3,000	.06	.08	.06	.01	.02	.07	.04	.08
	3,500	.09	.11	.08	.01	.02	.09	.05	.11
	4,000	.11	.15	.09	.02	.03	.12	.07	.15
	4,500	.14	.19	.11	.02	.03	.14	.08	.19
	5,000	.17	.23	.12	.03	.04	.17	.10	.23
	5,500	.21	.28	.14	.04	.05	.20	.12	.28
30	2,700	.03	.04	.03	<.01	<.01	.03	.01	.04
	3,000	.04	.05	.03	<.01	<.01	.03	.02	.05
	4,000	.06	.09	.05	<.01	.01	.05	.03	.08
	5,000	.10	.13	.06	.01	.02	.08	.04	.13
	6,000	.14	.19	.08	.02	.02	.10	.06	.19
	7,000	.20	.26	.10	.02	.03	.13	.08	.25
	7,400	.22	.29	.11	.02	.03	.15	.08	.28
35	3,200	.04	.05	.03	<.01	<.01	.04	.02	.05
	4,000	.06	.09	.05	<.01	.01	.05	.03	.08
	5,000	.10	.13	.06	.01	.02	.08	.04	.13
	6,000	.14	.19	.08	.02	.02	.10	.06	.19
	7,000	.20	.26	.10	.02	.03	.13	.08	.25
	8,000	.26	.34	.12	.03	.04	.17	.10	.33
	8,600	.30	.40	.13	.03	.05	.19	.11	.38
40	3,700	.04	.06	.03	<.01	<.01	.04	.02	.06
	4,000	.05	.07	.04	<.01	<.01	.04	.02	.07
	5,000	.08	.11	.05	<.01	.01	.06	.03	.10
	6,000	.11	.15	.07	.01	.02	.08	.04	.15
	7,000	.16	.21	.08	.02	.02	.10	.06	.20
	8,000	.20	.27	.10	.02	.03	.13	.07	.26
	9,000	.26	.35	.12	.03	.04	.16	.09	.33
	9,800	.31	.41	.13	.03	.05	.18	.11	.39

ME(10-40) (A,B)† K Weights & Filter Data

Unit Weights

Approximate weights for Arrangement "K" (Less Coil & Motor)†			
Unit Type	Net Wt.†	Ship Wt.†	Add for Optional
Capacity	(Lb.)	(Lb.)	Outside Air Hood*
ME10	774	930	43
ME15	801	956	43
ME20	950	1115	51
ME25	1000	1165	51
ME30	1176	1351	59
ME35	1220	1395	59
ME40	1302	1482	63

Filter Data

Capacity	(Quantity) Filter Size
10, 15	(8) 20 x 20
20,25	(8) 16 x 20
30, 35	(8) 16 x 20
	(4) 20 x 20
40	(12) 20 x 20

† See motor spec #MDS-1 for motor weight/adder & amperage.

* Optional - Shipped in separate carton.

MODEL NUMBER

	1	2	3	4	5	6	7	8	9	10	11	12	13	14	15	16	+
(EXX)	M	E	*	*	*	†	K										

DIGITS 3 & 4 = (CA) CAPACITY; DIGIT 5 = (FT) FURNACE TYPE; DIGIT 6 = †(FM) FURNACE MATERIAL.
REFER TO CATALOG FOR MODEL NUMBER DESCRIPTION.