

INDOOR MAKE-UP AIR PRODUCTS

Model - ME(12) (A,B)† G

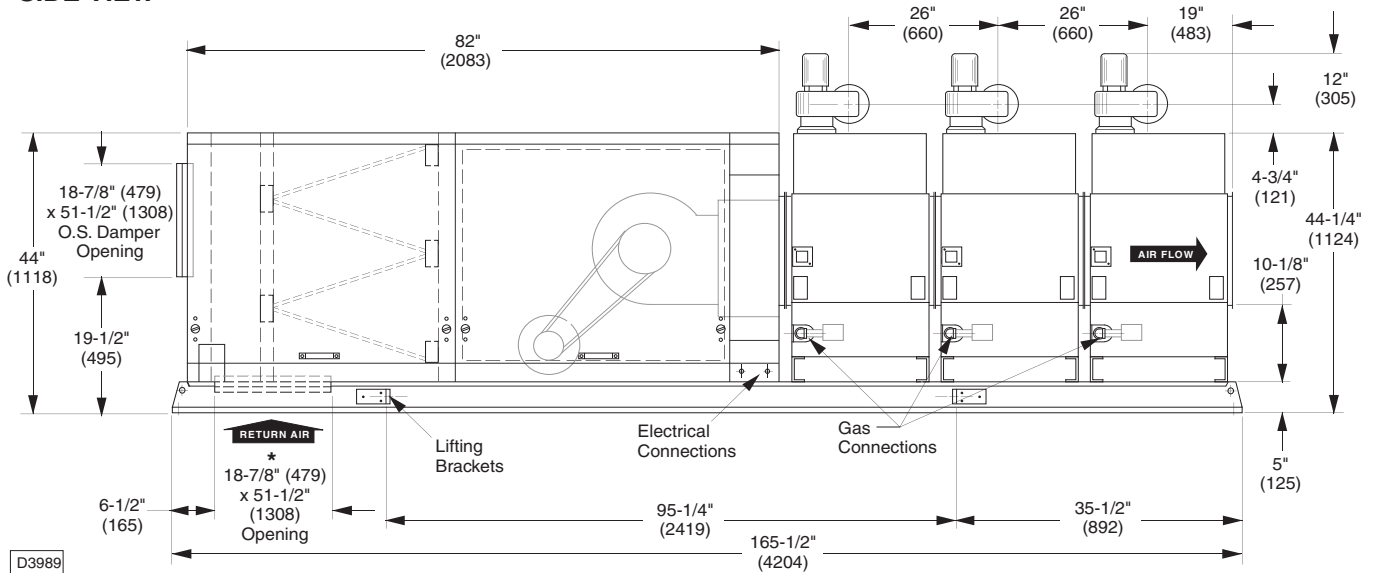
Unit Type (UT) - ME, Power Vent Indoor Make-Up Air Unit

Capacity (CA) - (12) (1,200 mBTU)

Furnace Type (FT) - A, B Standard Temperature Rise (30-80)F°

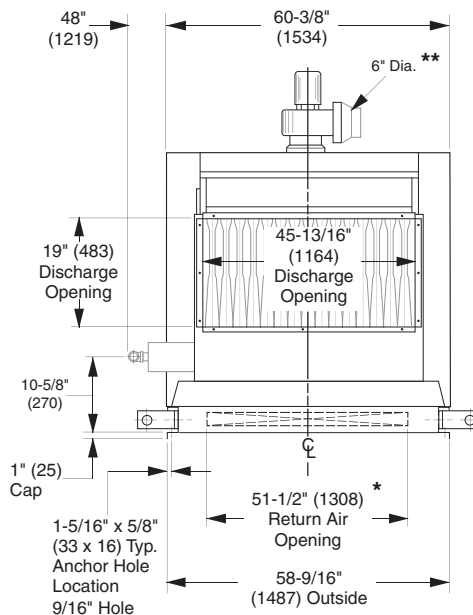
Indoor Arrangement (IA) - G, High CFM Blower Unit

SIDE VIEW



* These Dimensions Are Outside Damper Measurements.
** These Units Are Supplied With a (5" to 6") Increaser (Required For Each Furnace's Flue).

END VIEW



Project: _____

Unit Tag: _____



260 NORTH ELM ST. WESTFIELD, MA 01085
(413) 564-5540 • FAX: (413) 562-5311

www.sterlinghvac.com A MESTEK COMPANY

The above dimensional drawing includes options that might not pertain to the unit being submitted for approval. Please note that the following items checked below are **not included** with the unit being submitted:

- Outside Air Opening / Dampers
- Return Air Openings / Dampers

ME(12) (A,B)† G Performance Table

Capacity	TR (F°)	CFM	Input BTU/Hr.		Max. Output BTU/Hr.	TOTAL STATIC PRESSURE (INCHES OF WATER)											
			Max.	Min.		0.4		0.8		1		1.4		1.8		2	
						RPM	BHP	RPM	BHP	RPM	BHP	RPM	BHP	RPM	BHP	RPM	BHP
	197	4,500				660	1.26	785	1.75	840	2.01	945	2.55	1035	3.12	1080	3.43
	177	5,000				700	1.60	820	2.14	875	2.42	975	2.99	1065	3.60	1105	3.91
	147	6,000				790	2.46	895	3.10	945	3.43	1035	4.09	1120	4.77	1160	5.12
12	126	7,000	1,200,000	480,000	960,000	885	3.63	980	4.36	1025	4.74	1110	5.49	1185	6.26	1225	6.65
	111	8,000				985	5.15	1065	5.95	1105	6.38	1185	7.24	1260	8.10	1295	8.54
	98	9,000				1080	7.07	1160	7.94	1195	8.40	1265	9.36	1335	10.33	1370	10.81
	90	9,800				1165	8.93	1235	9.85	1265	10.34	1335	11.36	1400	12.41	1430	12.94

NOTES: The pressure drop for Accessories (from the following table) must be allowed for when using the above Performance table. Unless otherwise specified, the following conversions may be used for calculating SI units:
 1 Cu. Ft. = 0.028m³, 1 ft. = 0.305m, 1 in. = 25.4mm, 1 psig = 6.894 kPa, 1000 Btu per hr. = 0.293 kW,
 1 in. water column = 0.249 kPa, 1 gallon = 3.785 L, 1000 Btu/Cu. Ft. = 37.5 MJ/m³, 1 lb. = 0.453 kg.

ME(12) (A,B)† G Accessories Pressure Drop Table

Capacity	CFM	PRESSURE LOSS (INCHES OF WATER)								Outside or Return Air Damper
		OPTIONAL RAINHOOD With		FILTERS						
		Screen	Mstr. Elim.	Throwaway	Washable		Pleated			
				2"	1"	2"	1"	2"		
	4,50	.06	.09	.05	<.01	<.01	.05	.03	.08	
	5,000	.08	.11	.05	<.01	.01	.06	.03	.10	
	6,000	.11	.15	.07	.01	.02	.08	.04	.15	
12	7,000	.16	.21	.08	.02	.02	.10	.06	.20	
	8,000	.20	.27	.10	.02	.03	.13	.07	.26	
	9,000	.26	.35	.12	.03	.04	.16	.09	.33	
	9,800	.31	.41	.13	.03	.05	.18	.11	.39	

ME(12) (A,B)† G Weights & Filter Data

Unit Weights

Approximate weights for Arrangement "G" (Less Motor)†			
Unit Type	Net Wt.†	Ship Wt.†	Add for Optional
Capacity	(Lb.)	(Lb.)	Outside Air Hood*
ME12	2040	2246	63

Filter Data

Capacity	(Quantity) Filter Size
12	(12) 20 x 20

† See motor spec #MDS-1 for motor weight/adder & amperage.

* Optional - Shipped in separate carton.

MODEL NUMBER

	1	2	3	4	5	6	7	8	9	10	11	12	13	14	15	16	+
(EXX)	M	E	*	*	*	†	G										

DIGITS 3 & 4 = (CA) CAPACITY; DIGIT 5 = (FT) FURNACE TYPE; DIGIT 6 = †(FM) FURNACE MATERIAL.
 REFER TO CATALOG FOR MODEL NUMBER DESCRIPTION.