

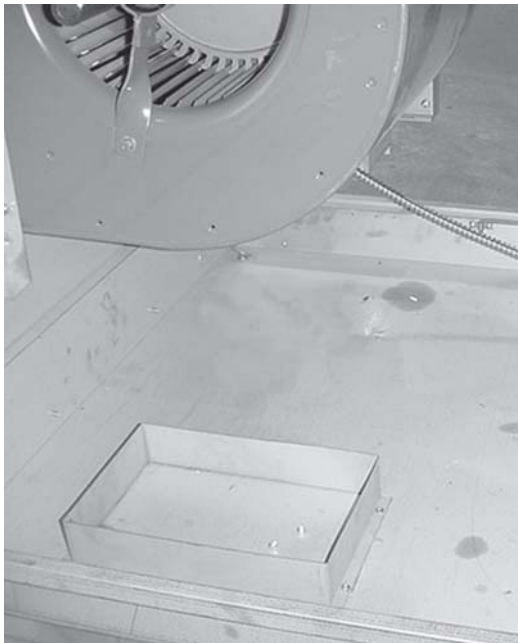
ENGINEERED PRODUCTS

Accessory Option #N2

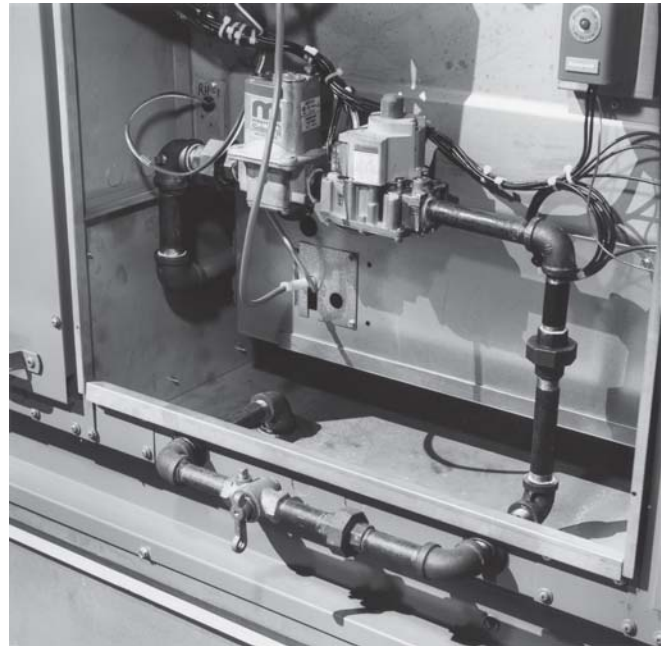
Through The Base Utility Penetrations

Unit Type (UT) - RT, PV, AH,

Through the base utility penetrations allows the gas, electric and coil connections to be passed through base and curb of the unit. This results in a reduction in the number of roof penetrations, thus enhancing the integrity of the roofing materials. (Not available on Indoor Models "ME", "MS" or "MU")



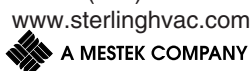
**Electrical/Coil
Pipe Chase**



**Gas Connection
(Piping Kit included)**



260 NORTH ELM ST. WESTFIELD, MA 01085
(413) 564-5540 • FAX: (413) 562-5311



Project:

Location:

Architect:

Engineer:

Contractor:

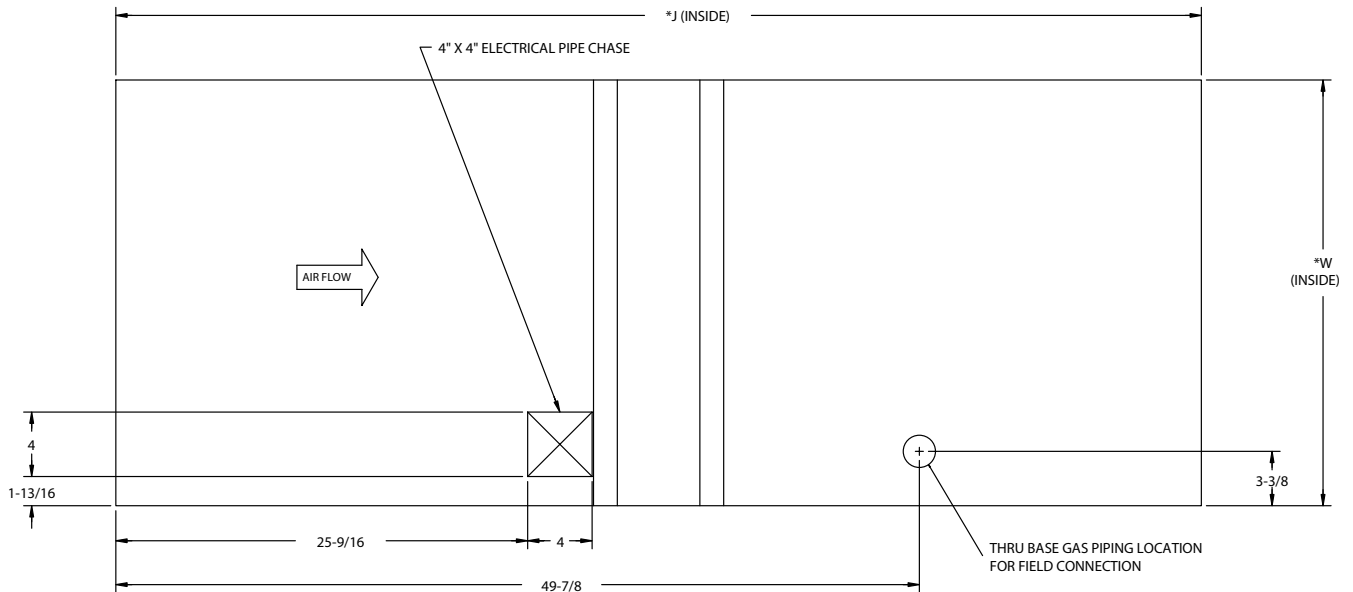
PO Number:

Date:

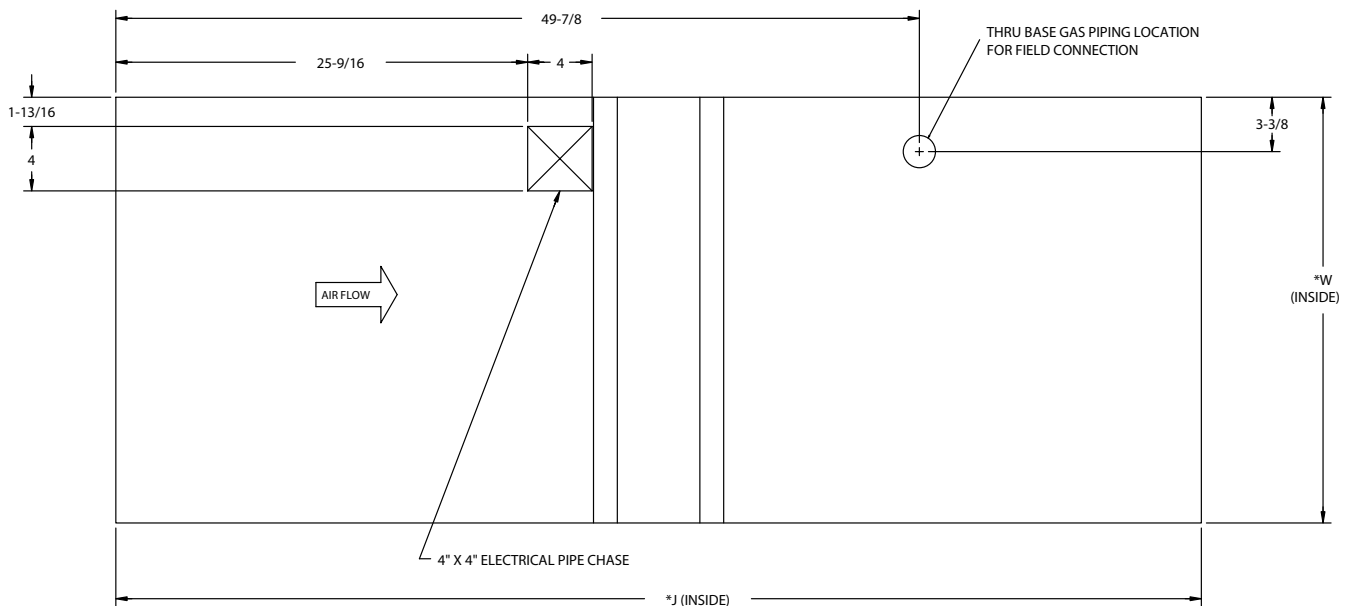
ENGINEERED PRODUCTS

Accessory Option #N2

Arrangement - B & D Capacities 10/40



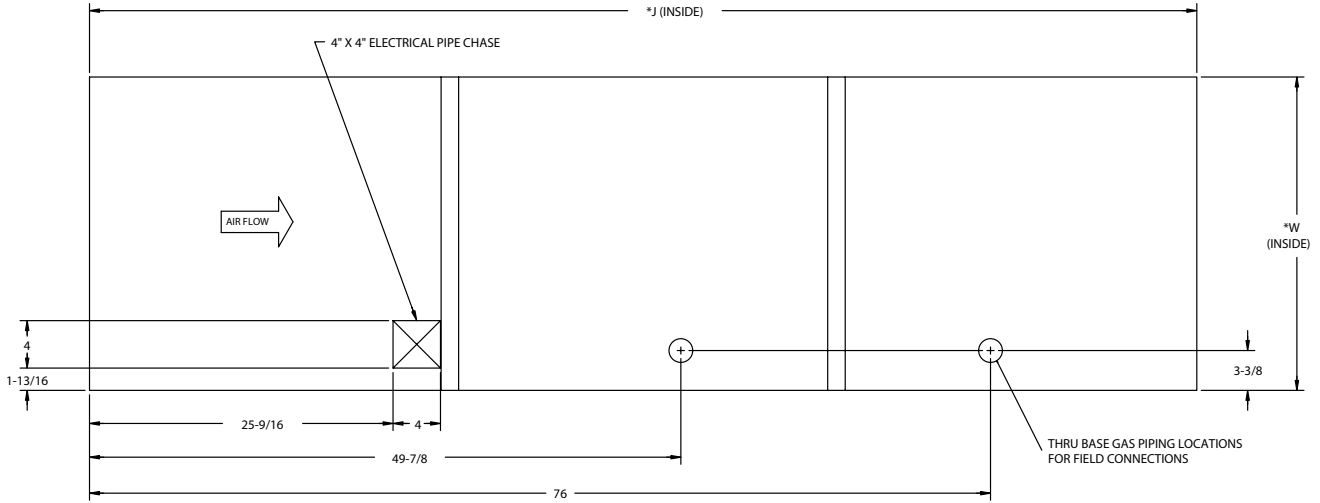
Top View - Right Hand Access
Cat #: D5688-A01



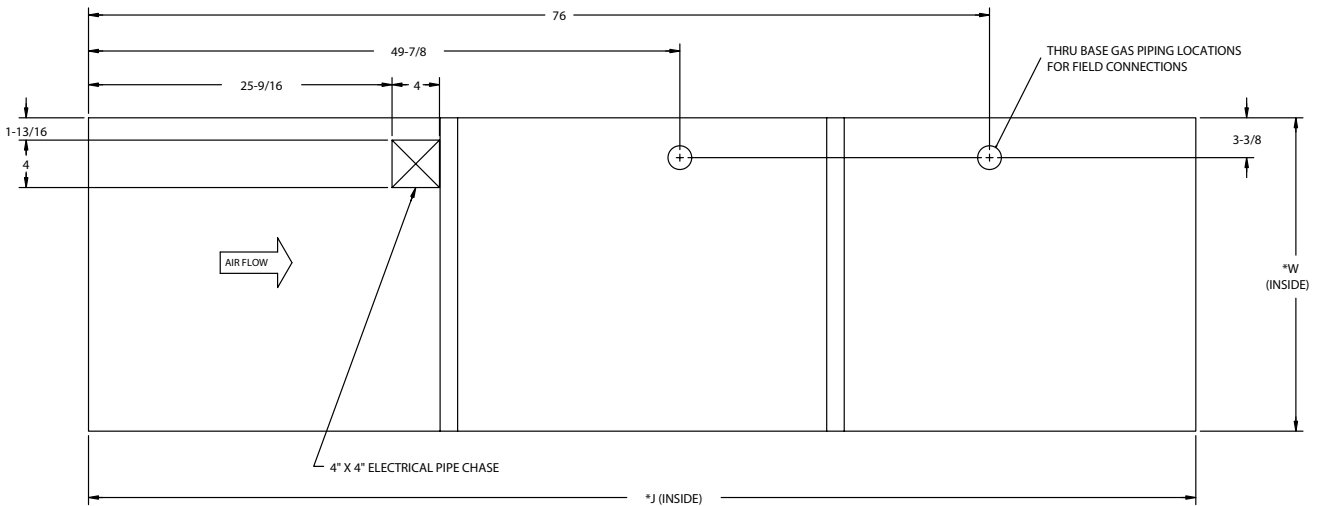
Top View - Left Hand Access
Cat #: D5688-A03

*For these dimensions, refer to Roof Curb Kits (U)RC001 and (U)RC002 submittals.

Arrangement - B & D Capacities 50/80



Top View - Right Side Access
Cat #: D5688-A06



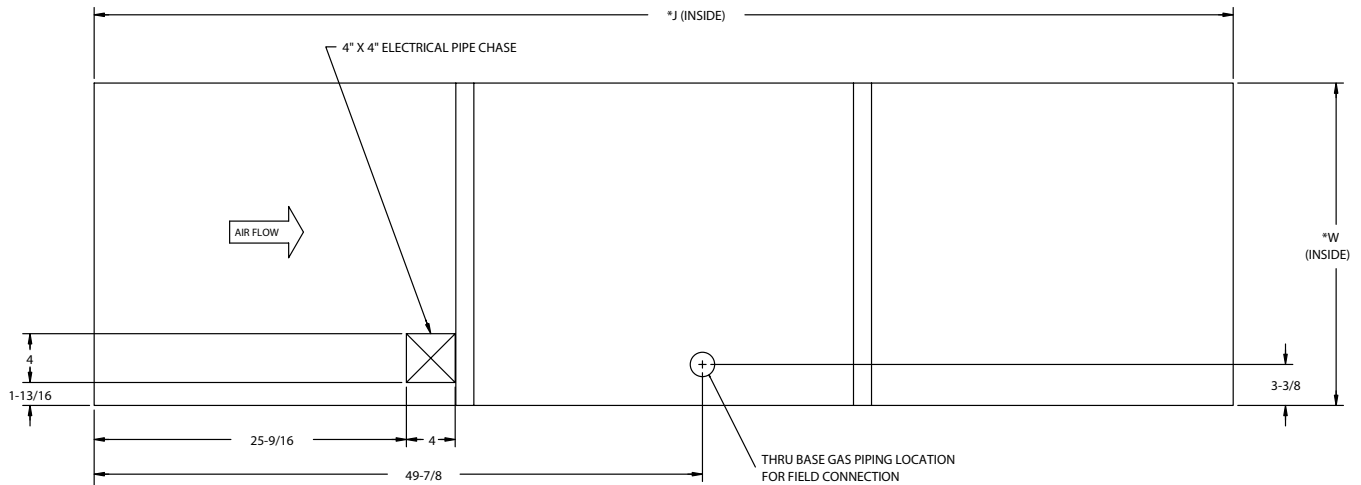
Top View - Left Side Access
Cat #: D5688-A08

*For these dimensions, refer to Roof Curb Kits (U)RC003 and (U)RC004 submittals.

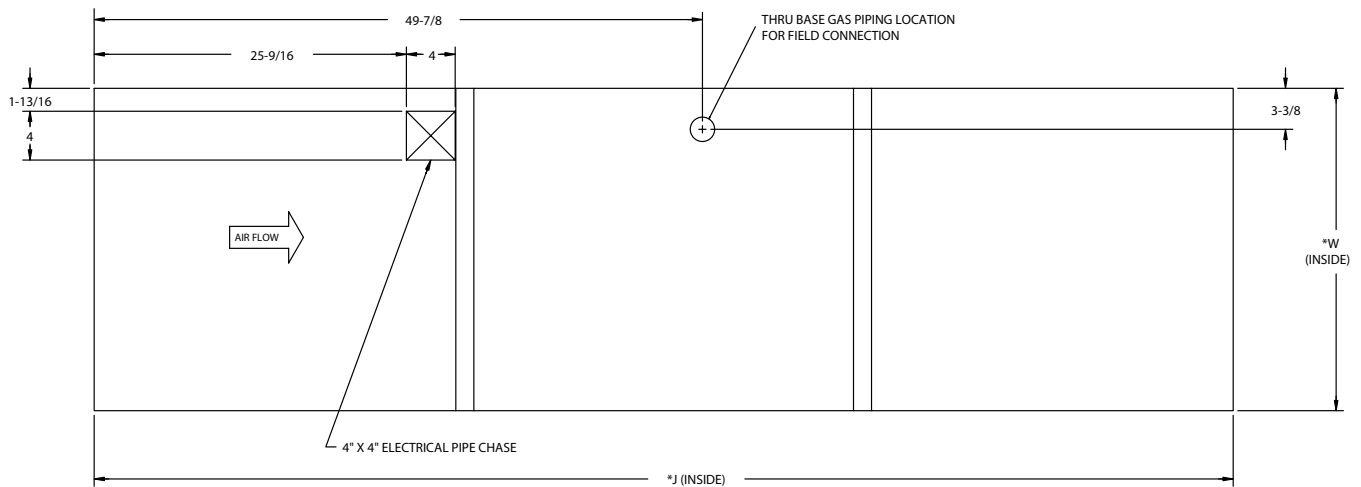
ENGINEERED PRODUCTS

Accessory Option #N2

Arrangement - C & E Capacities 10/40



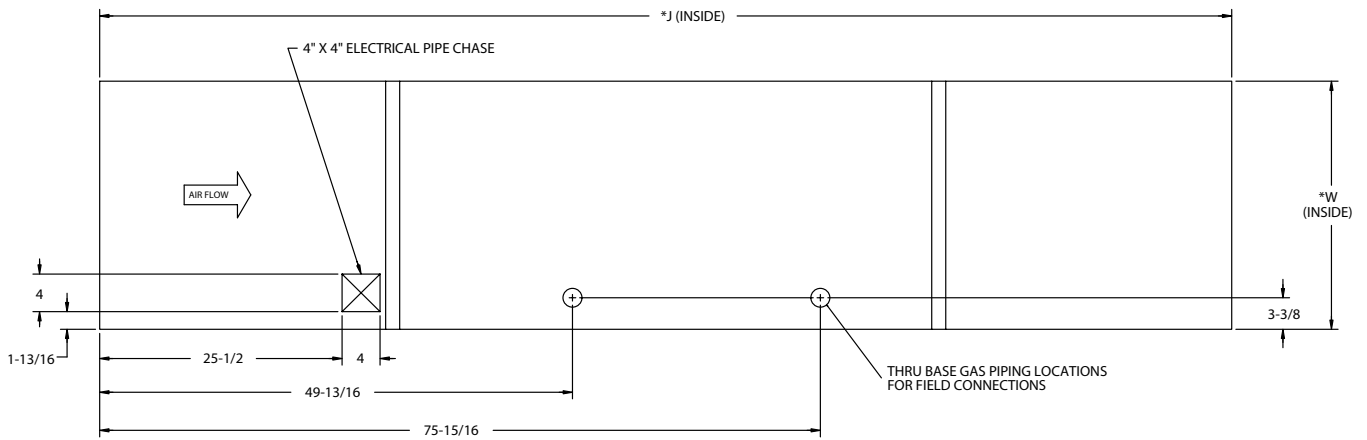
Top View - Right Hand Access
Cat #: D5688-A05



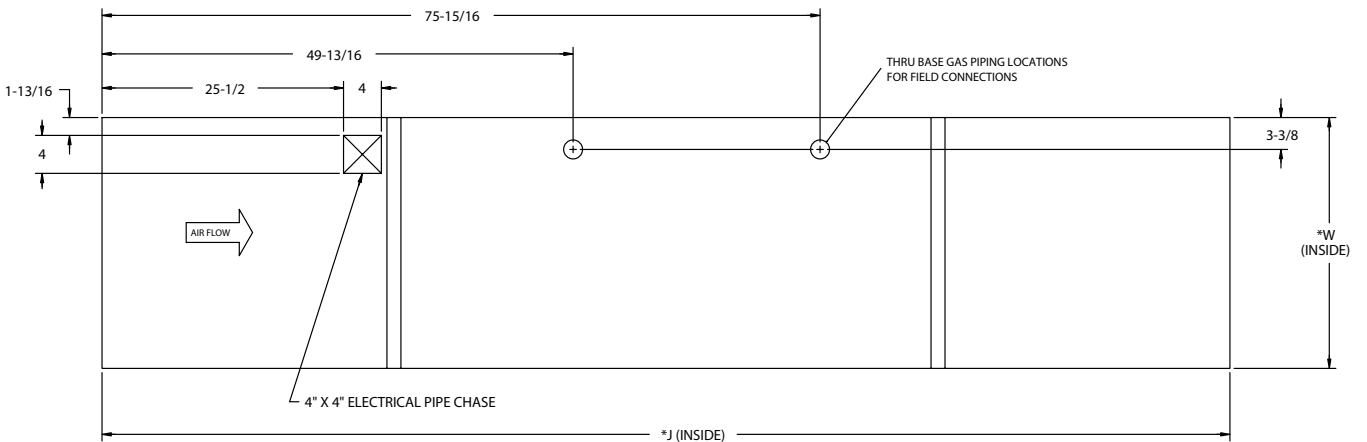
Top View - Left Side Access
Cat #: D5688-A07

*For these dimensions, refer to Roof Curb Kits (U)RC003 and (U)RC004 submittals.

Arrangement - C & E Capacities 50/80



Top View - Right Hand Access
Cat #: D5688-A09



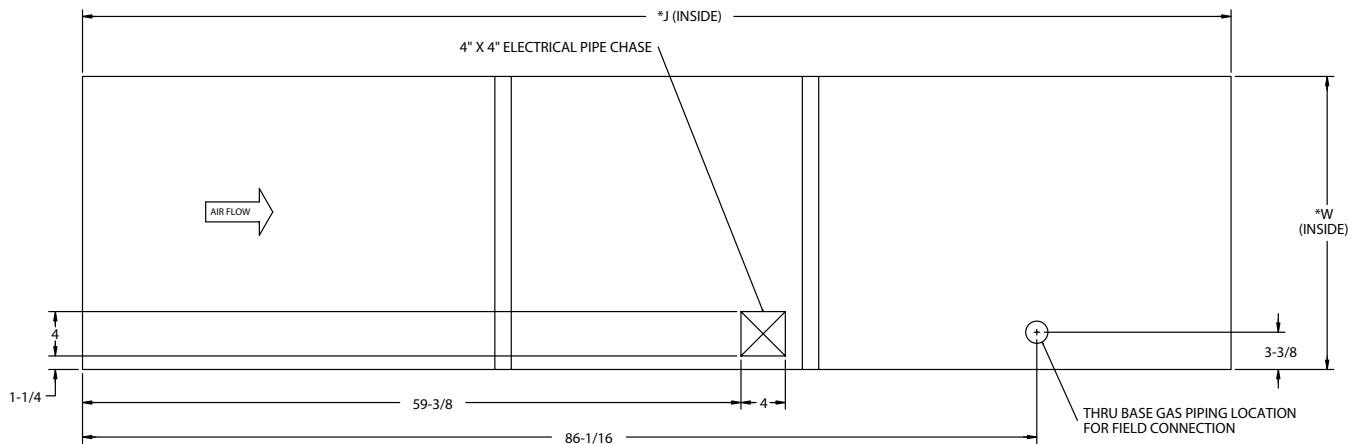
Top View - Left Hand Access
Cat #: D5688-A10

*For these dimensions, refer to Roof Curb Kits (U)RC007 and (U)RC008 submittals.

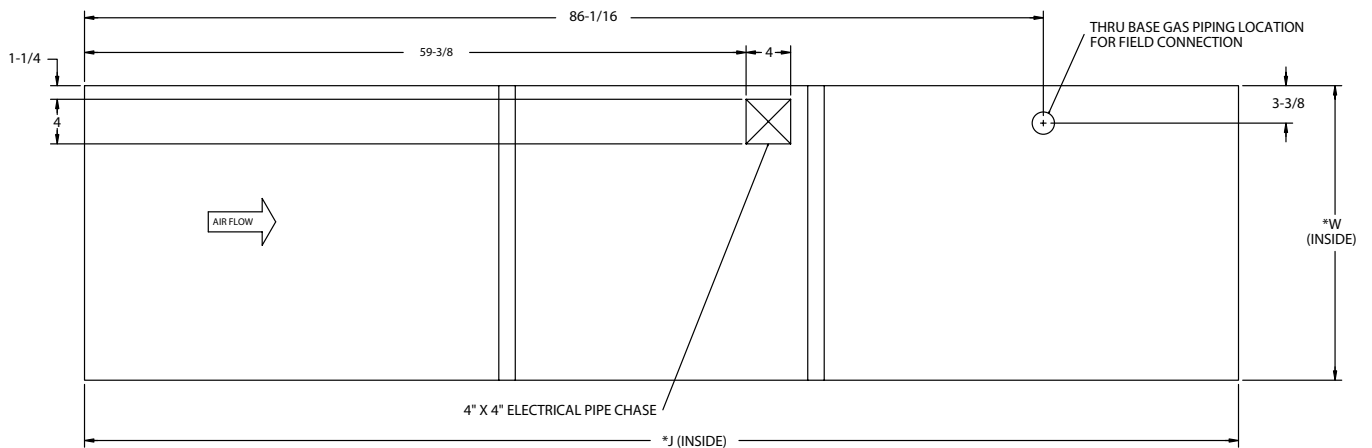
ENGINEERED PRODUCTS

Accessory Option #N2

Arrangement - G Capacities 20, 25, 30 & 40



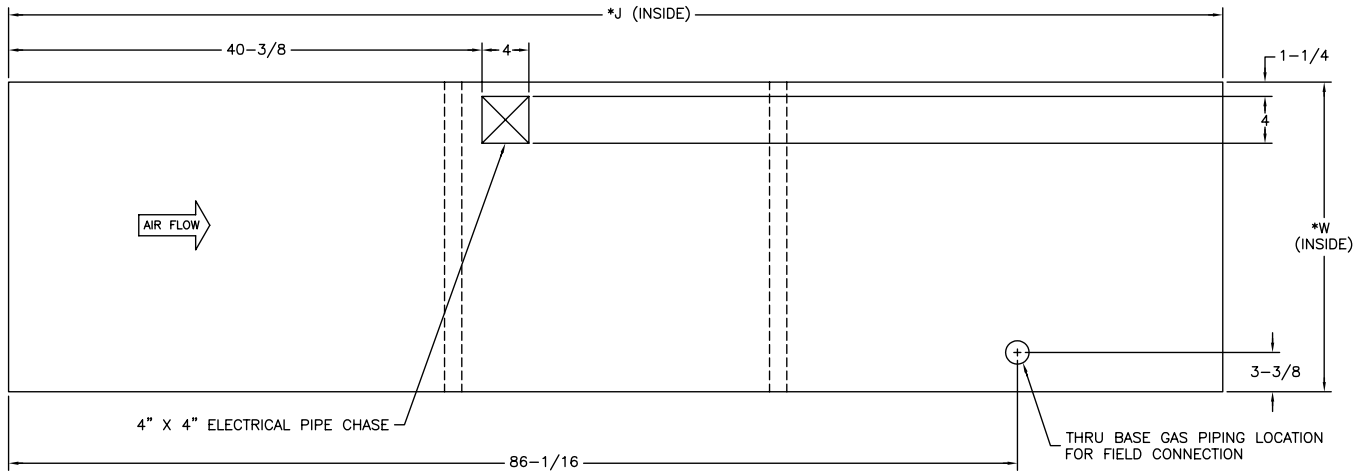
Top View - Right Hand Access
Cat #: D5688-A17



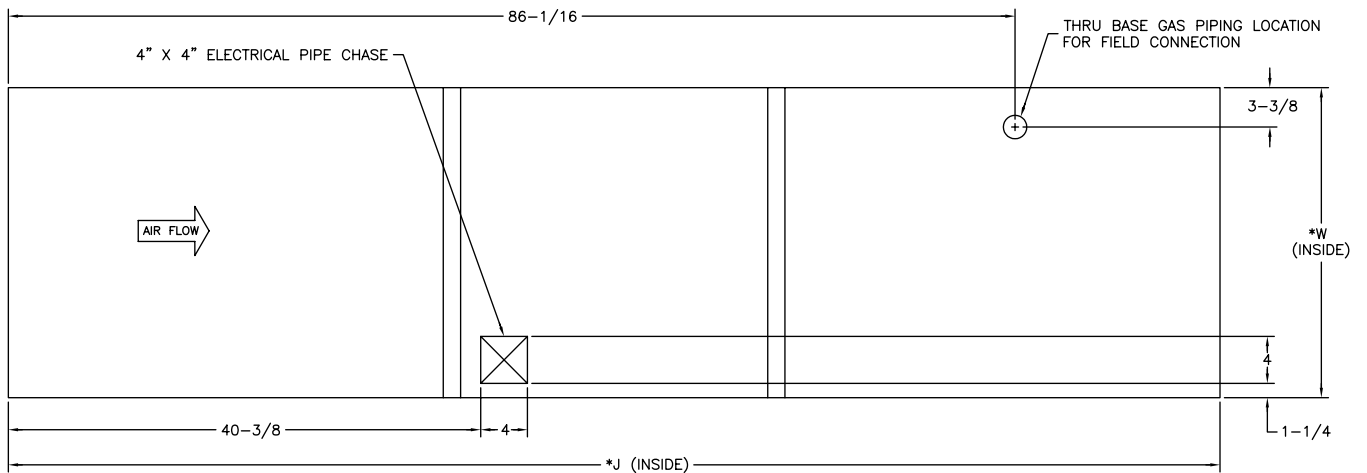
Top View - Left Hand Access
Cat #: D5688-A18

*For these dimensions, refer to Roof Curb Kit (U)RC006 submittal.

Arrangement - G Capacity 35



Top View - Right Hand Access
Cat #: D5688-B13



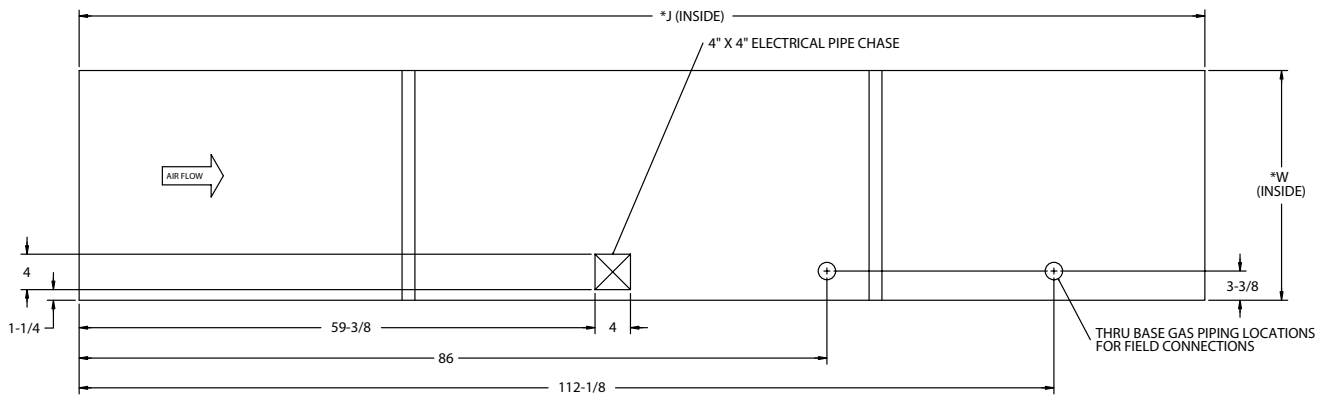
Top View - Left Hand Access
Cat #: D5688-B14

*For these dimensions, refer to Roof Curb Kit (U)RC006 submittal.

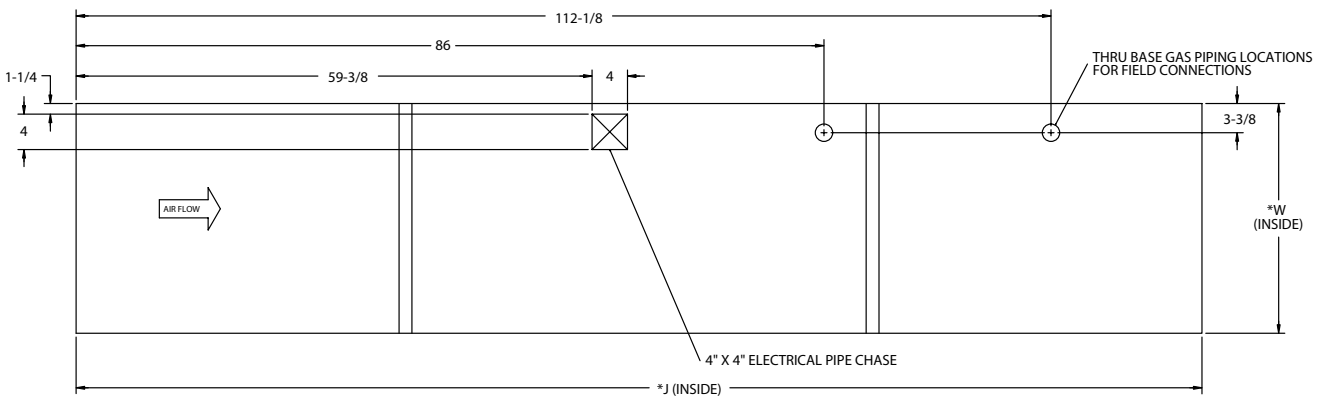
ENGINEERED PRODUCTS

Accessory Option #N2

Arrangement - G Capacities 50, 60 & 80



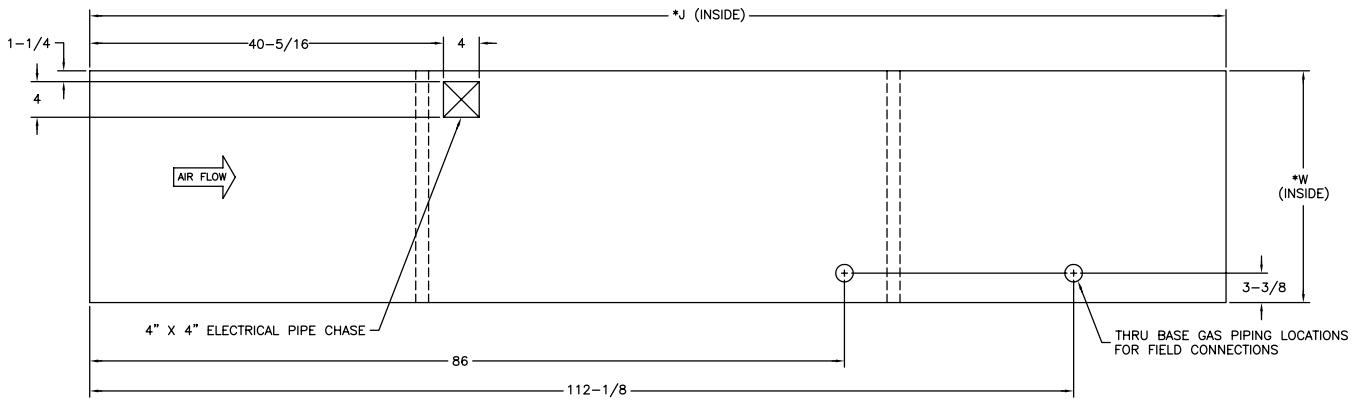
Top View - Right Hand Access
Cat #: D5688-A29



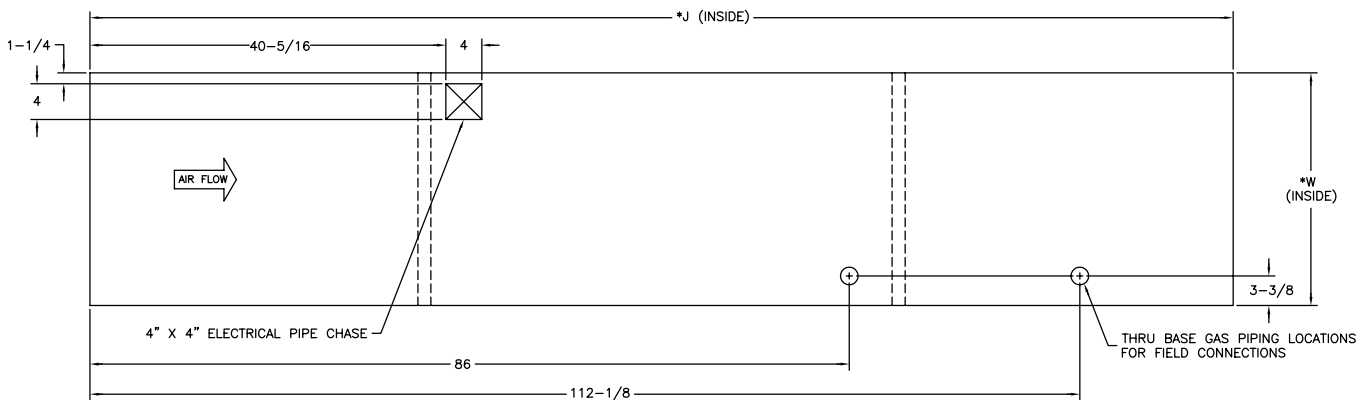
Top View - Left Hand Access
Cat #: D5688-A30

*For these dimensions, refer to Roof Curb Kit (U)RC005 submittal.

Arrangement - G Capacity 70



Top View - Right Hand Access
Cat #: D5688-B33



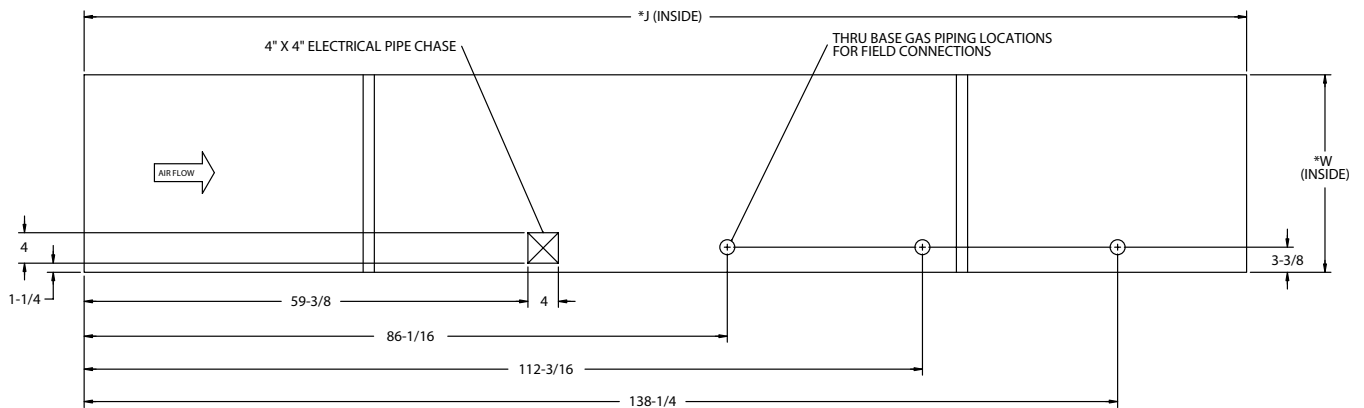
Top View - Left Hand Access
Cat #: D5688-B34

*For these dimensions, refer to Roof Curb Kit (U)RC005 submittal.

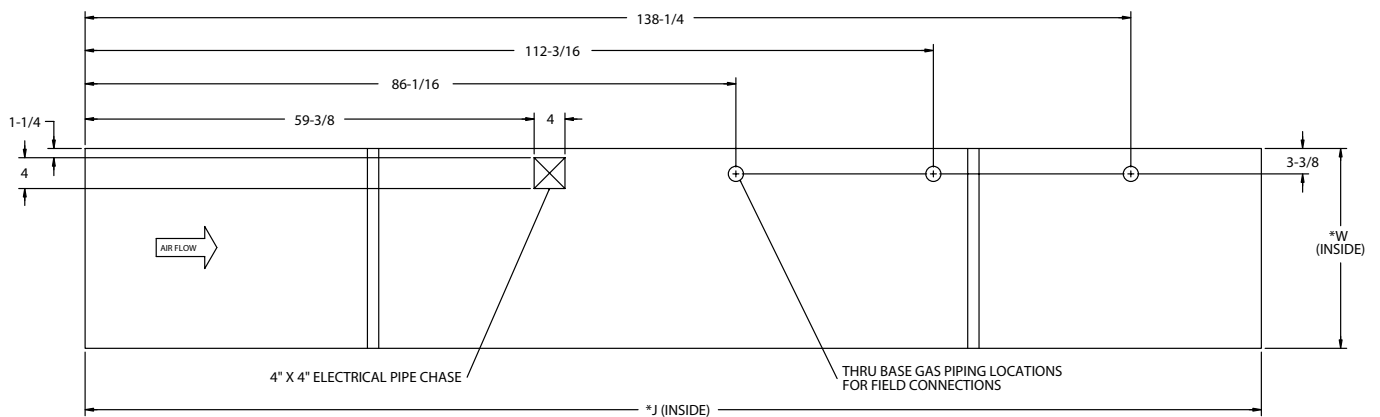
ENGINEERED PRODUCTS

Accessory Option #N2

Arrangement - G Capacity 12



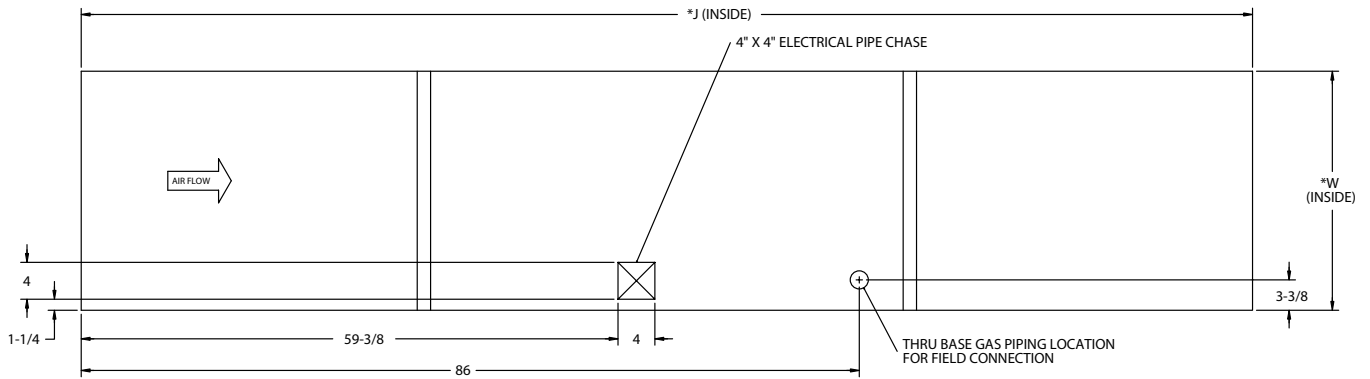
Top View - Right Hand Access
Cat #: D5688-A45



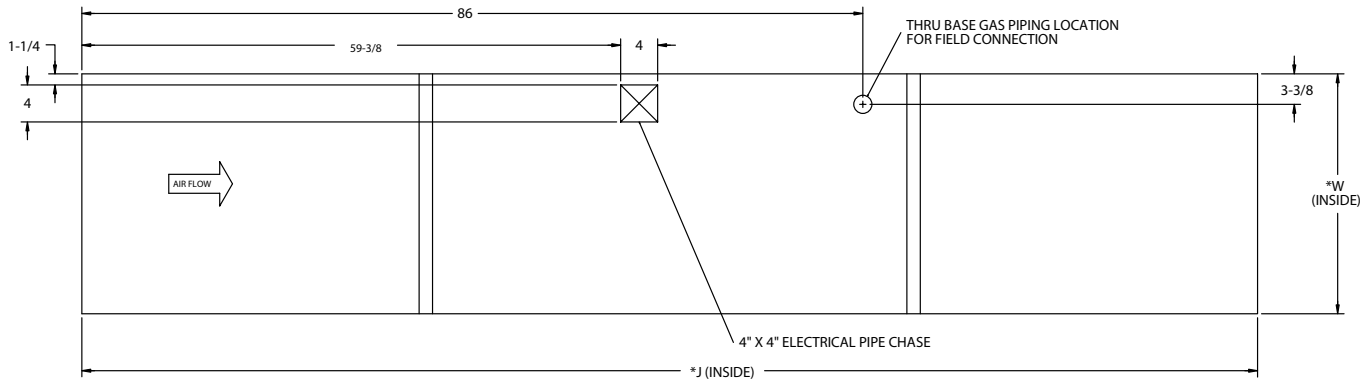
Top View - Left Hand Access
Cat #: D5688-A46

*For these dimensions, refer to Roof Curb Kit (U)RC009 submittal.

Arrangement - J Capacities 20, 25, 30 & 40



Top View - Right Hand Access
Cat #: D5688-A27



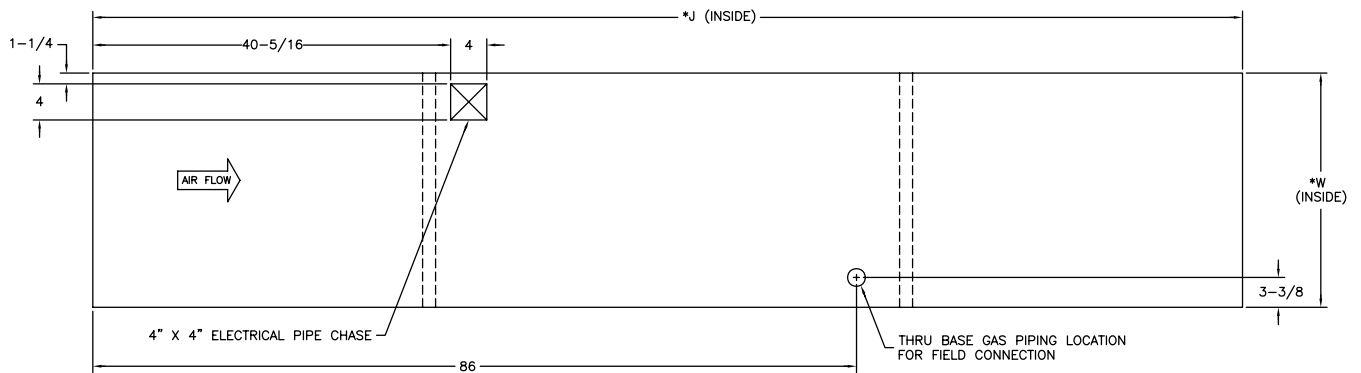
Top View - Left Hand Access
Cat #: D5688-A28

*For these dimensions, refer to Roof Curb Kit (U)RC005 submittal.

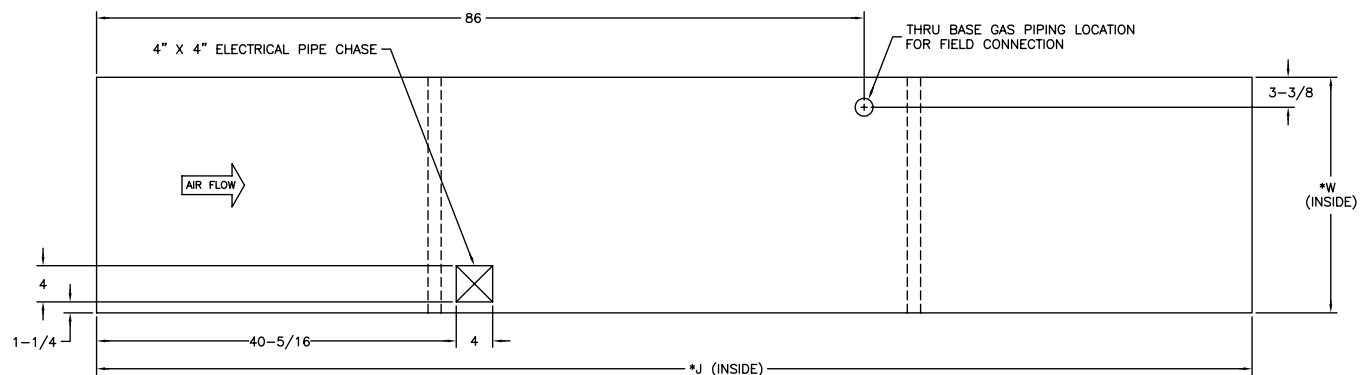
ENGINEERED PRODUCTS

Accessory Option #N2

Arrangement - J Capacity 35



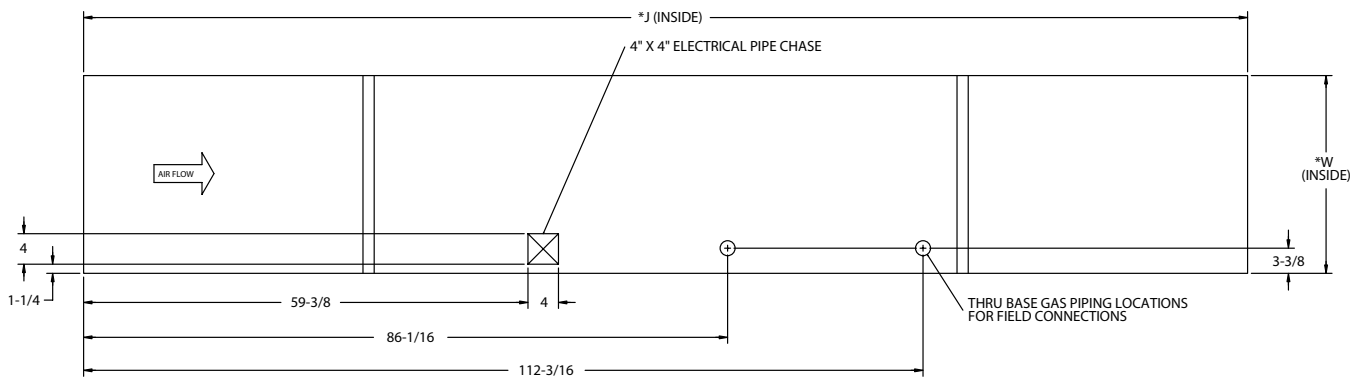
Top View - Right Hand Access
Cat #: D5688-B31



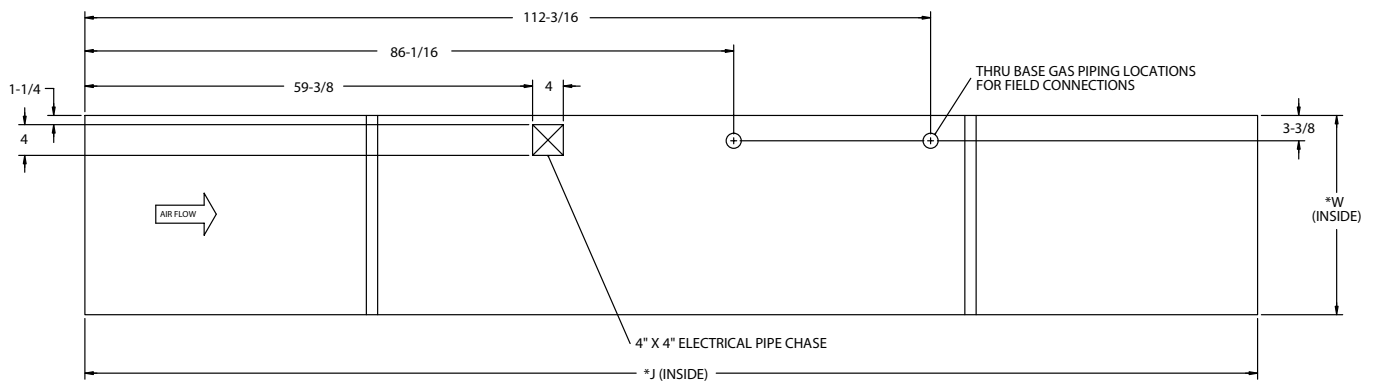
Top View - Left Hand Access
Cat #: D5688-B32

*For these dimensions, refer to Roof Curb Kit (U)RC005 submittal.

Arrangement - J Capacities 50,60,80



Top View - Right Hand Access
Cat #: D5688-A43



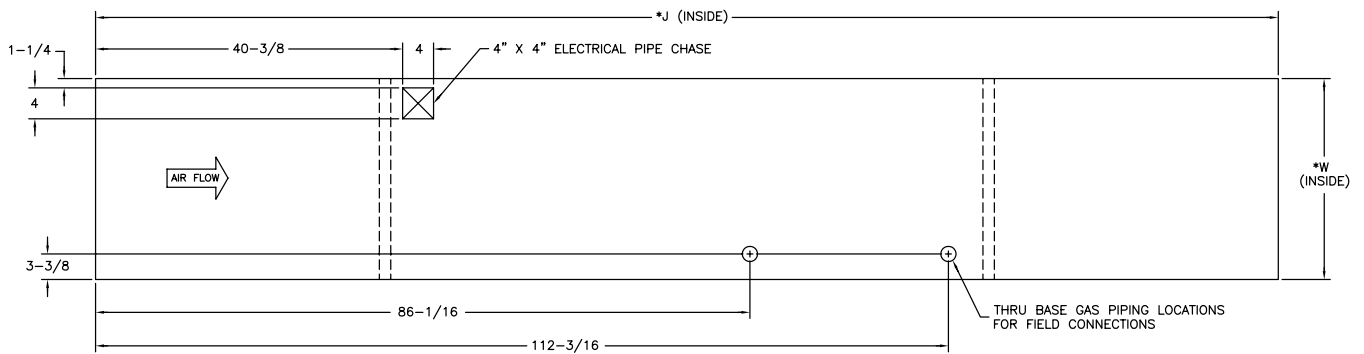
Top View - Left Hand Access
Cat #: D5688-A44

*For these dimensions, refer to Roof Curb Kit (U)RC009 submittal.

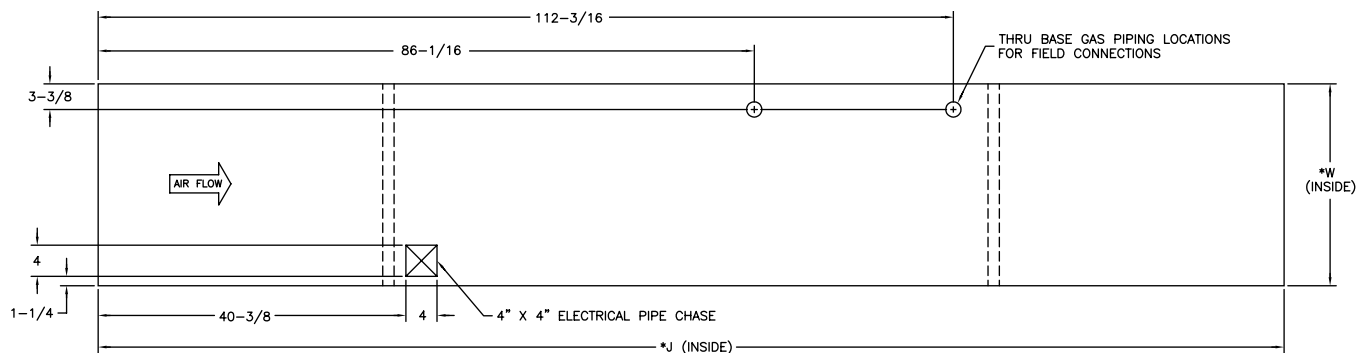
ENGINEERED PRODUCTS

Accessory Option #N2

Arrangement - J Capacity 70



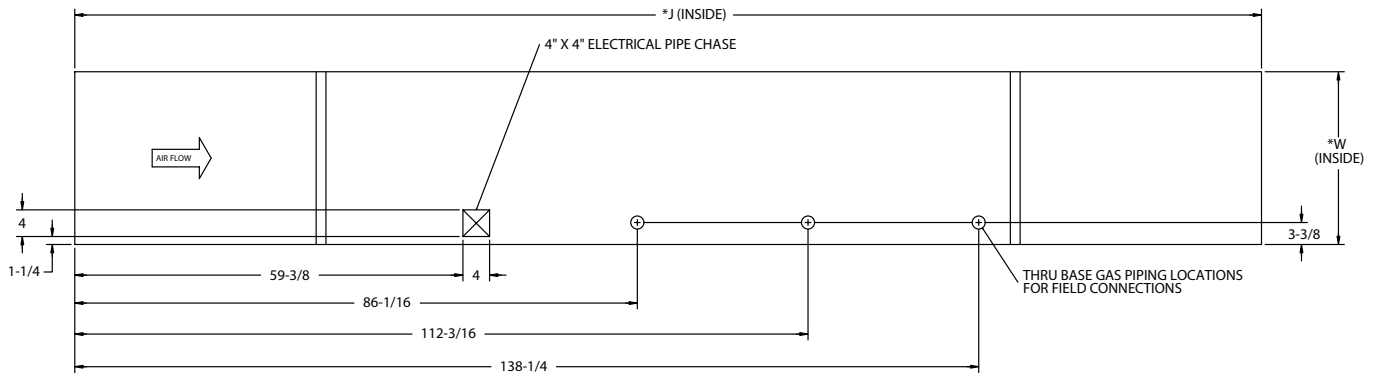
Top View - Right Hand Access
Cat #: D5688-B41



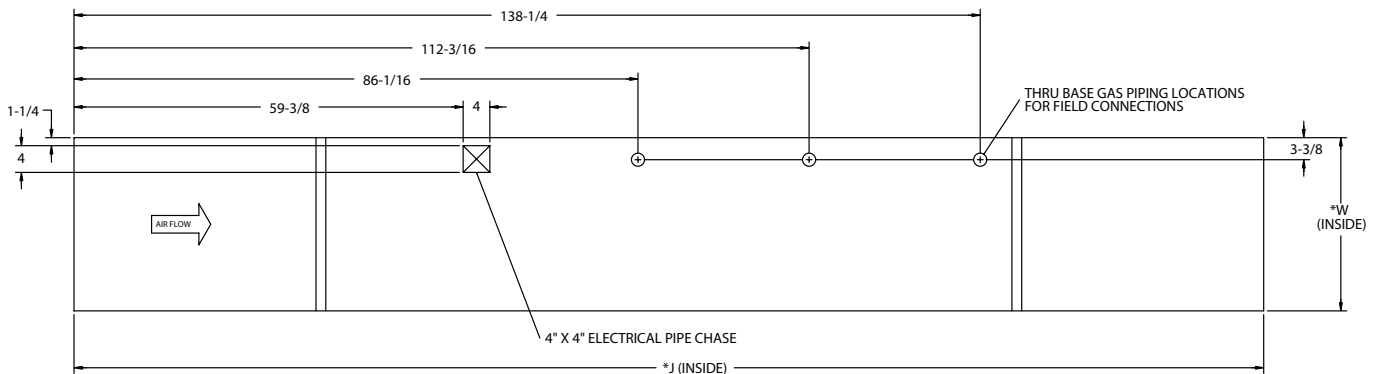
Top View - Left Hand Access
Cat #: D5688-B42

*For these dimensions, refer to Roof Curb Kit (U)RC009 submittal.

Arrangement - J Capacity12



Top View - Right Hand Access
Cat #: D5688-A49



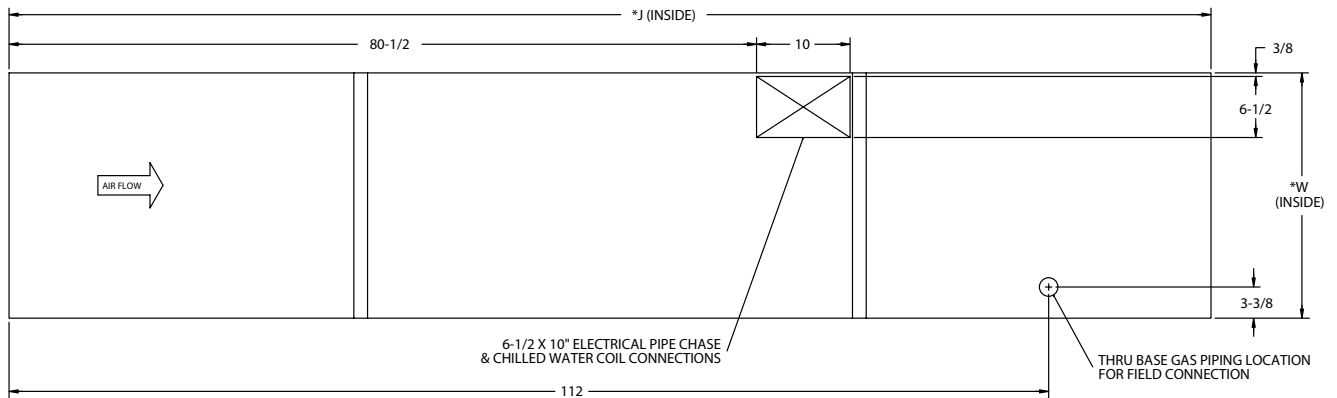
Top View - Left Hand Access
Cat #: D5688-A50

*For these dimensions, refer to Roof Curb Kit (U)RC010 submittal.

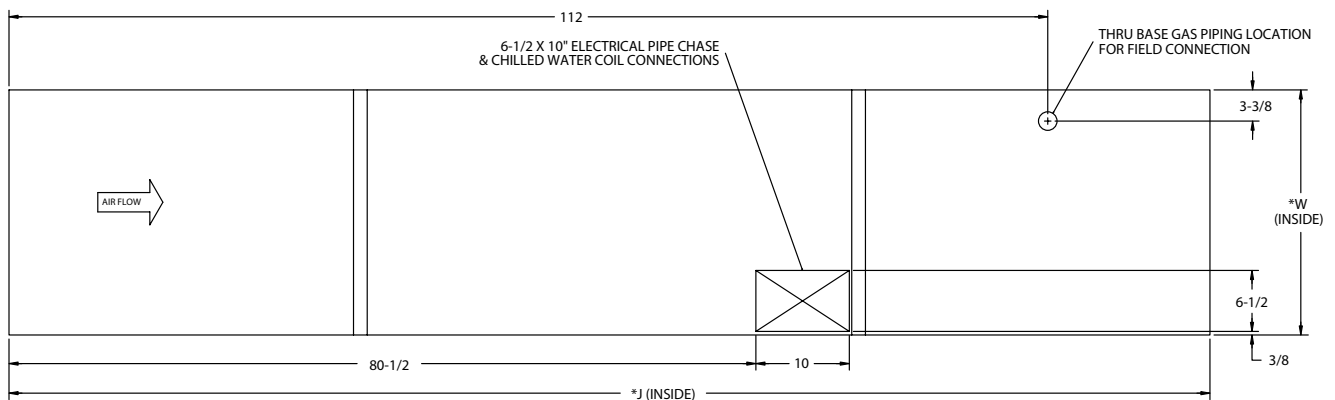
ENGINEERED PRODUCTS

Accessory Option #N2

Arrangement - K Capacities 10 & 15



Top View - Right Hand Access
Cat #: D5688-A21



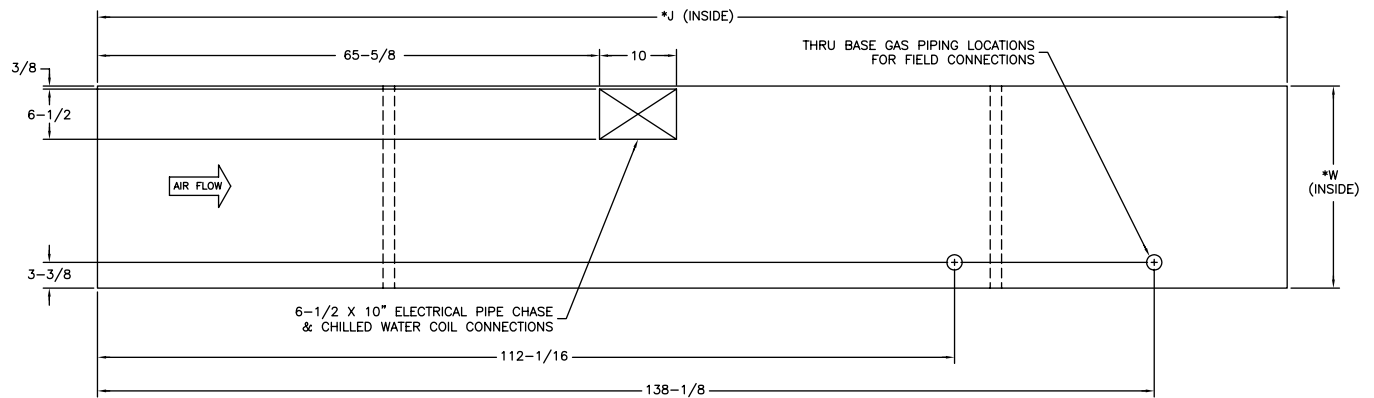
Top View - Left Hand Access
Cat #: D5688-A22

*For these dimensions, refer to Roof Curb Kit (U)RC005 submittal.

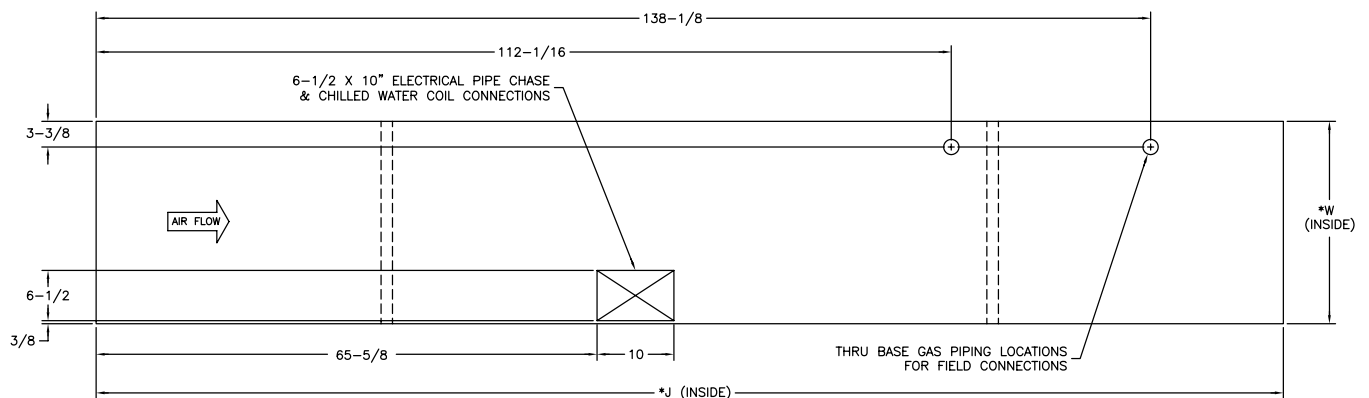
ENGINEERED PRODUCTS

Accessory Option #N2

Arrangement -K Capacities 50/80



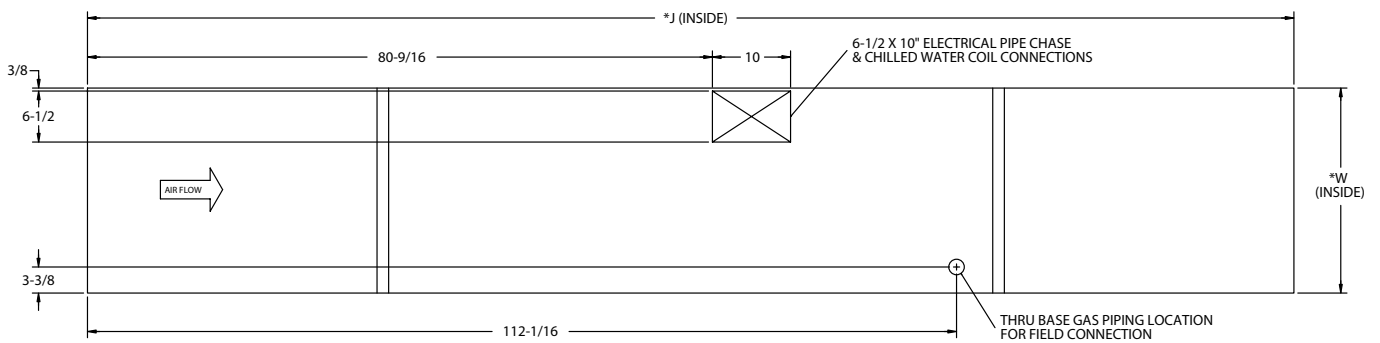
Top View - Right Hand Access
Cat #: D5688-B39



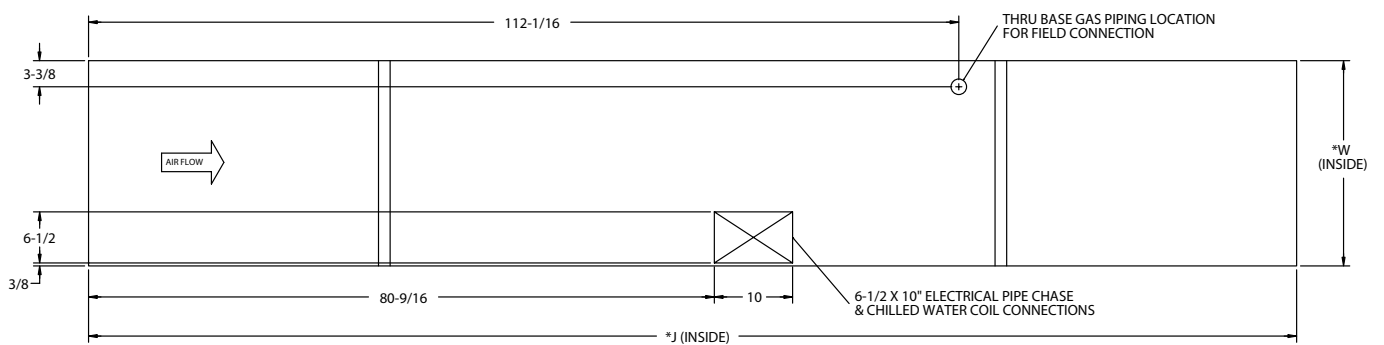
Top View - Left Hand Access
Cat #: D5688-B40

*For these dimensions, refer to Roof Curb Kit (U)RC009 submittal.

Arrangement - L Capacities 10 & 15



Top View - Right Hand Access
Cat #: D5688-A35



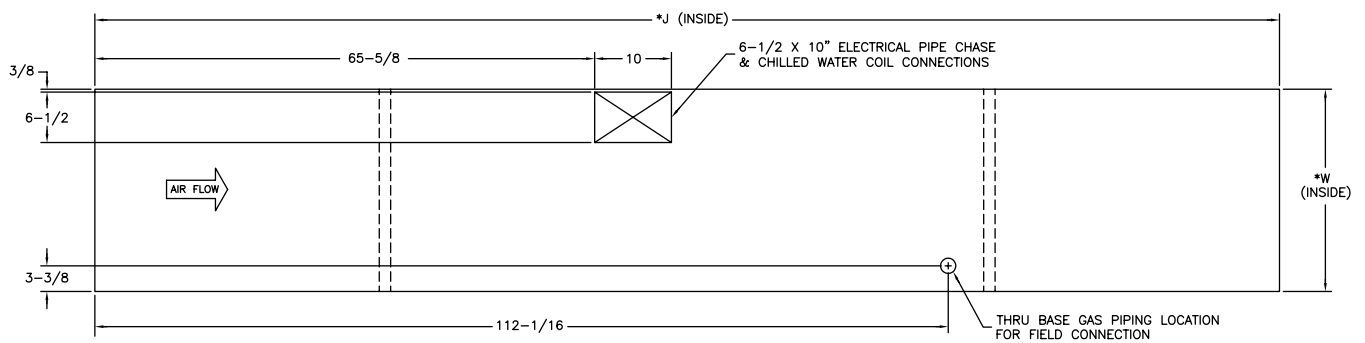
Top View - Left Hand Access
Cat #: D5688-A36

*For these dimensions, refer to Roof Curb Kit (U)RC009 submittal.

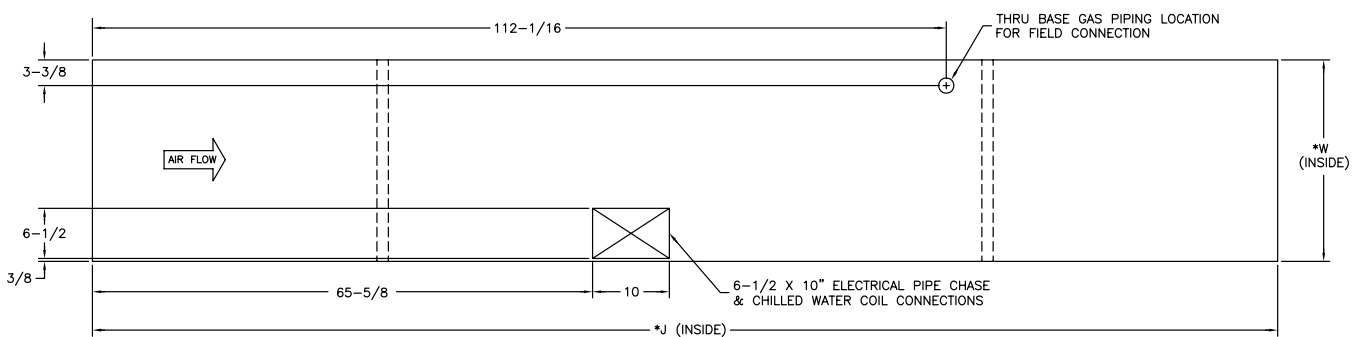
ENGINEERED PRODUCTS

Accessory Option #N2

Arrangement - L Capacities 20/40



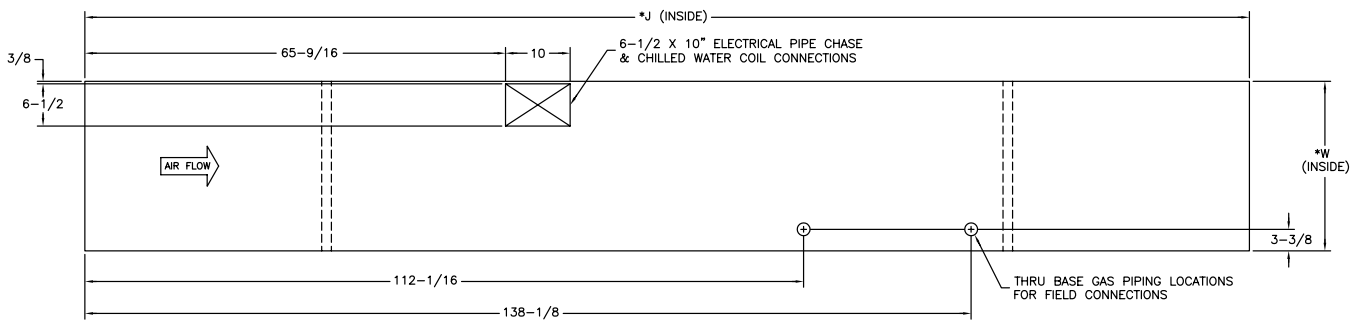
Top View - Right Hand Access
Cat #: D5688-B37



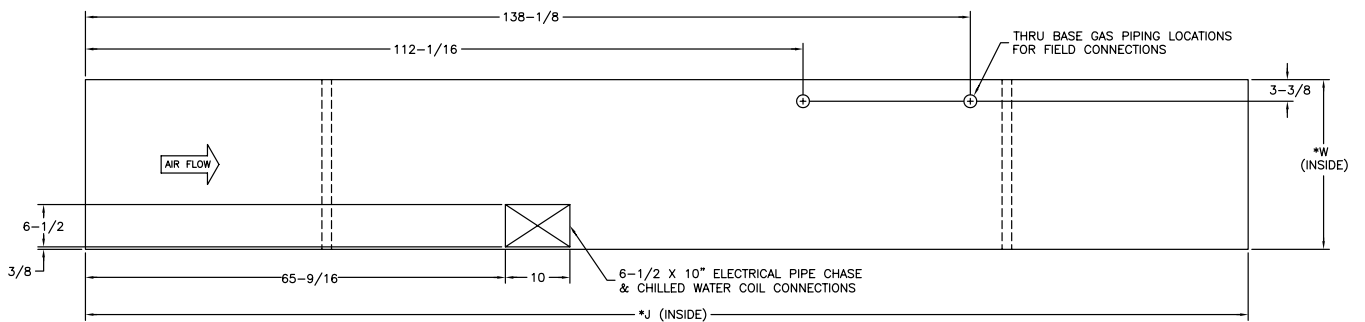
Top View - Left Hand Access
Cat #: D5688-B38

*For these dimensions, refer to Roof Curb Kit (U)RC009 submittal.

Arrangement - L Capacities 50/80



Top View - Right Hand Access
Cat #: D5688-B47



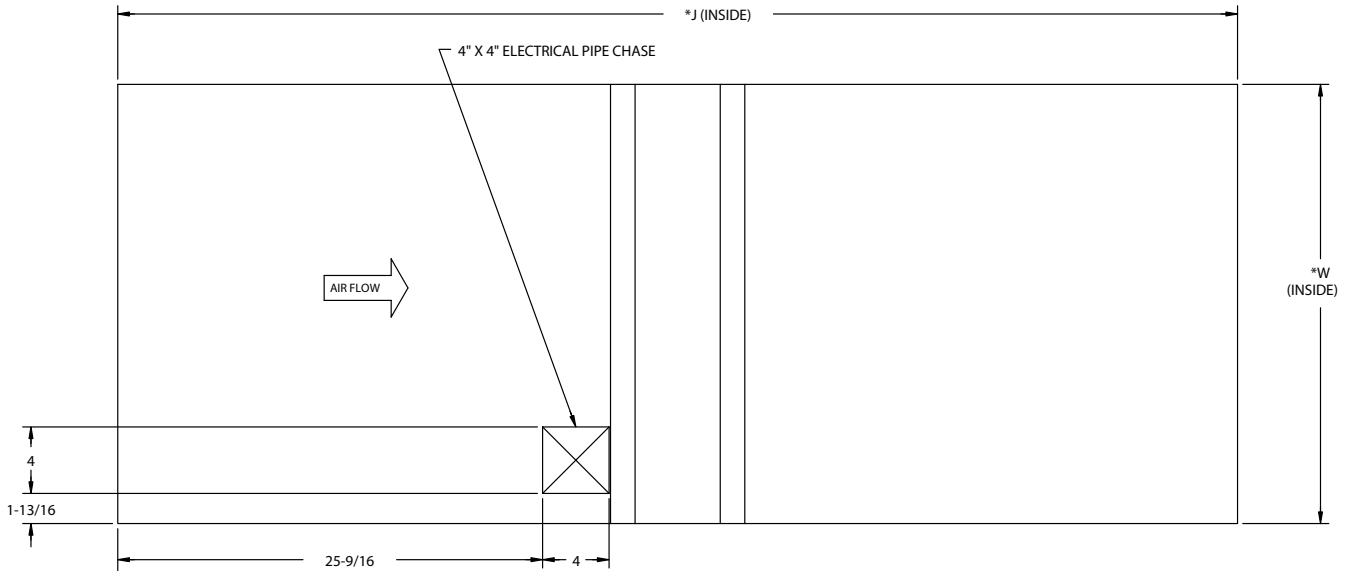
Top View - Left Hand Access
Cat #: D5688-B48

*For these dimensions, refer to Roof Curb Kit (U)RC010 submittal.

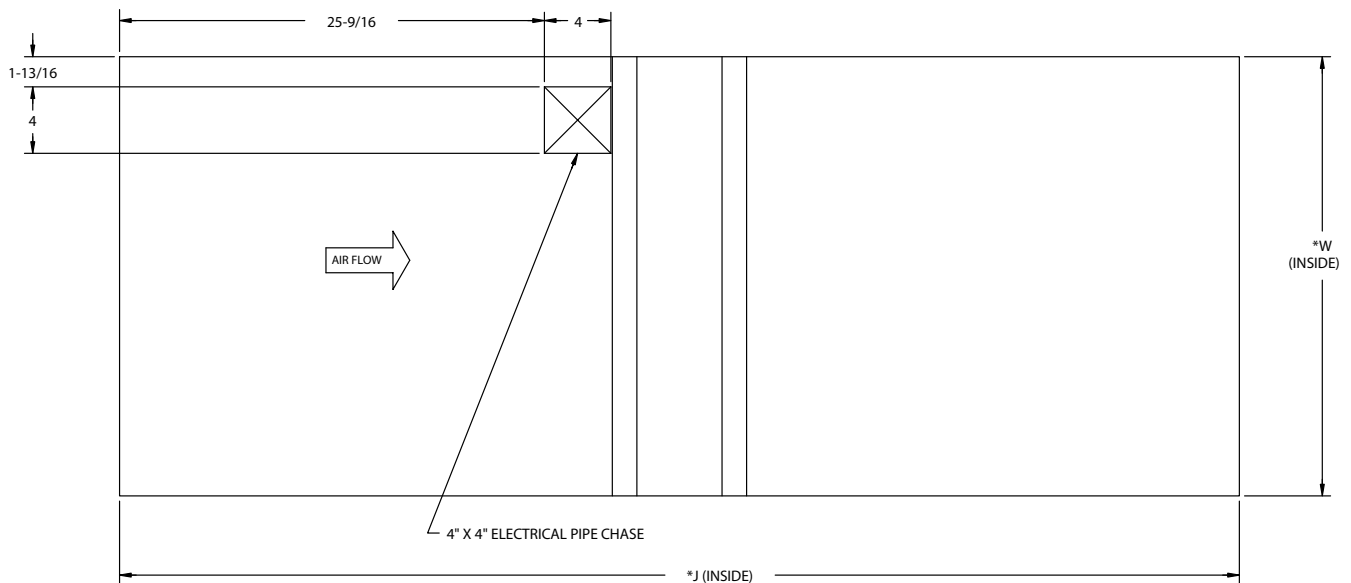
ENGINEERED PRODUCTS

Accessory Option #N2

Arrangement - N & R Capacities 20 or 40



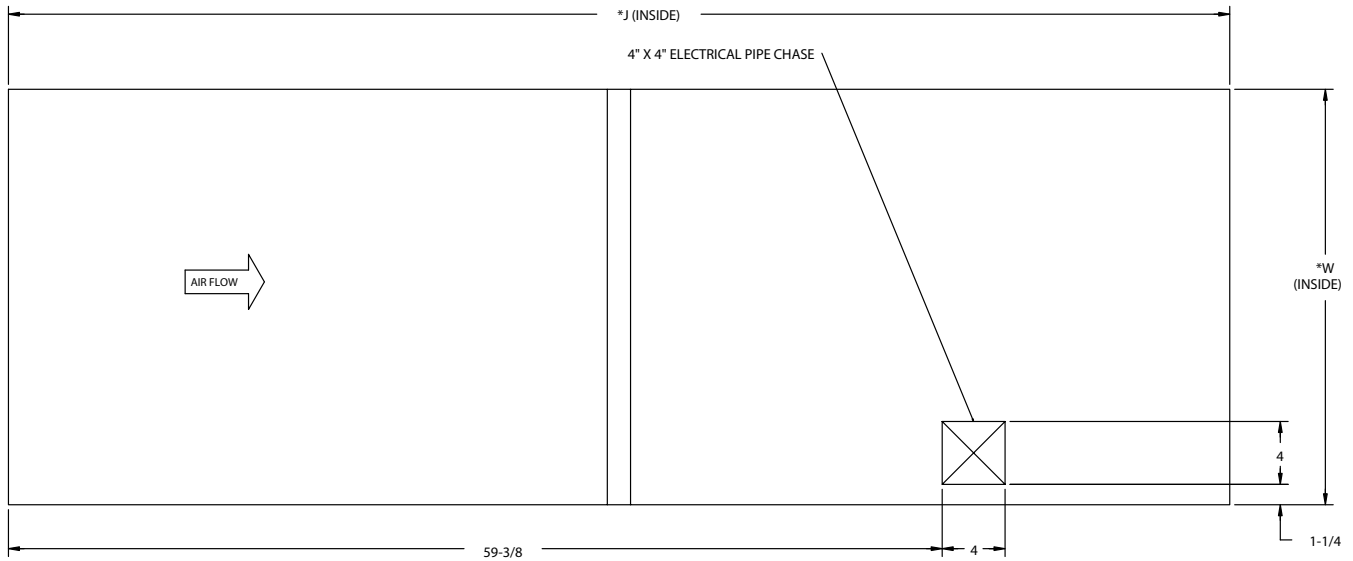
Top View - Right Hand Access
Cat #: D5688-A02



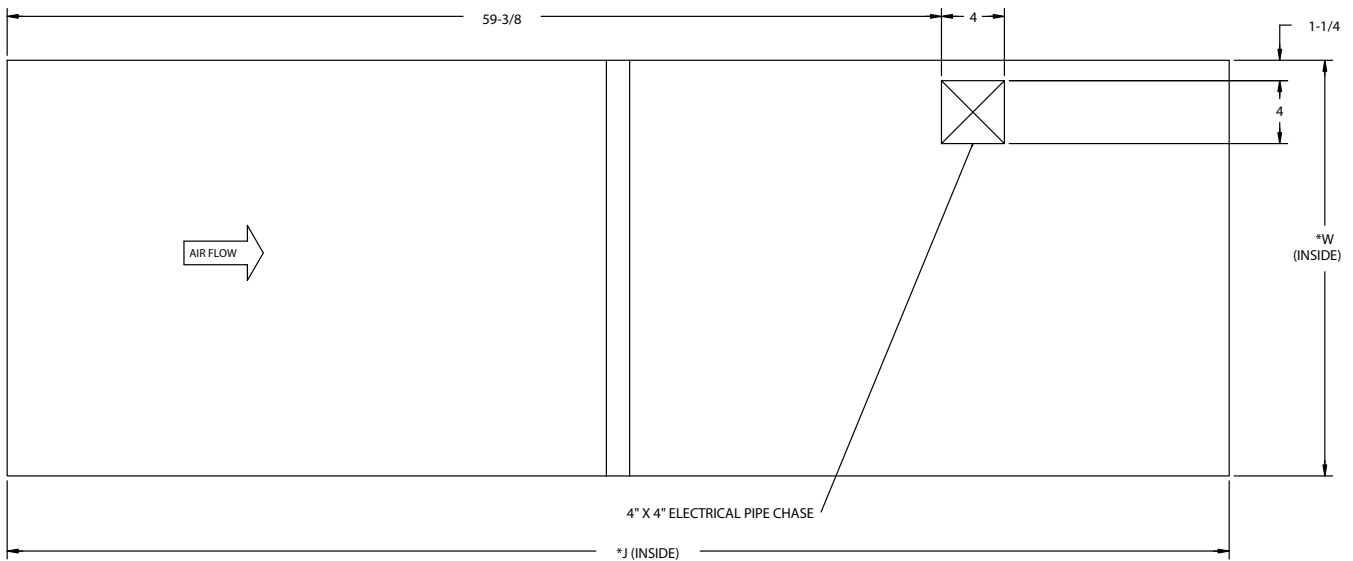
Top View - Left Hand Access
Cat #: D5688-A04

*For these dimensions, refer to Roof Curb Kits (U)RC001 and (U)RC002 submittals.

Arrangement - S Capacities 20 or 40



Top View - Right Hand Access
Cat #: D5688-A11



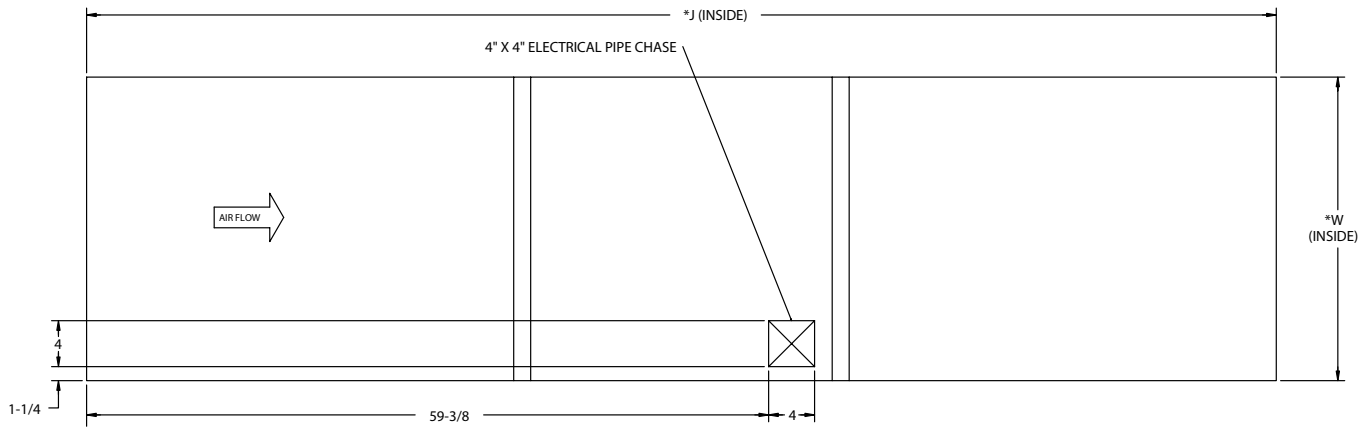
Top View - Left Hand Access
Cat #: D5688-A12

*For these dimensions, refer to Roof Curb Kit (U)RC013 submittal.

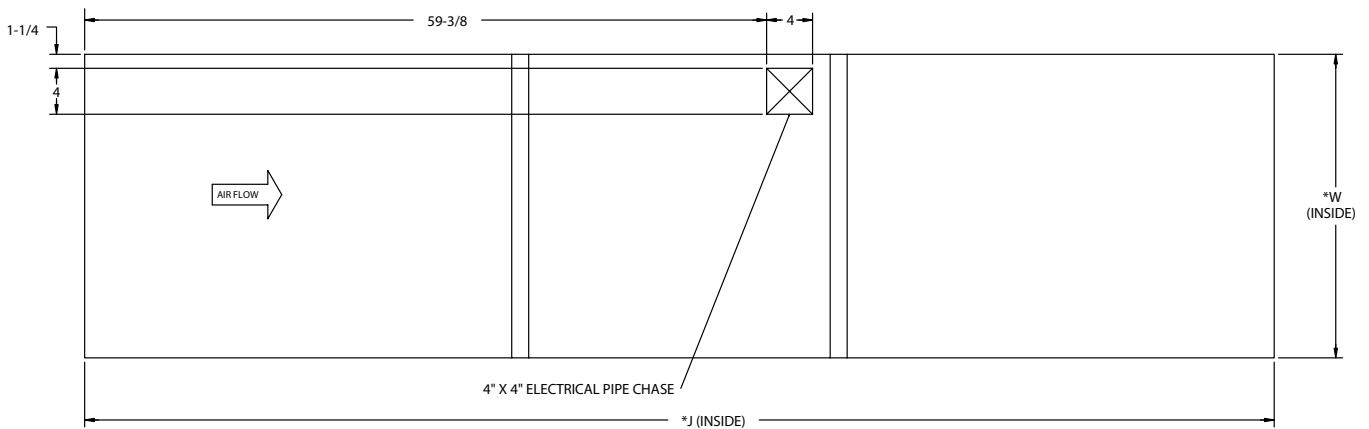
ENGINEERED PRODUCTS

Accessory Option #N2

Arrangement - T Capacities 20 or 40



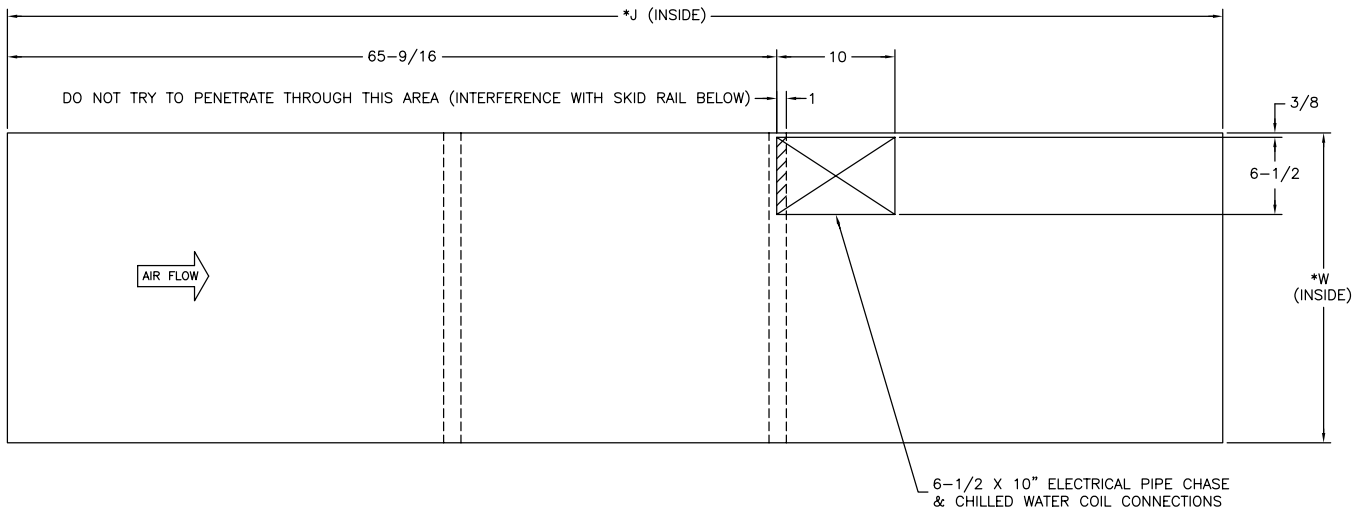
Top View - Right Hand Access
Cat #: D5688-A19



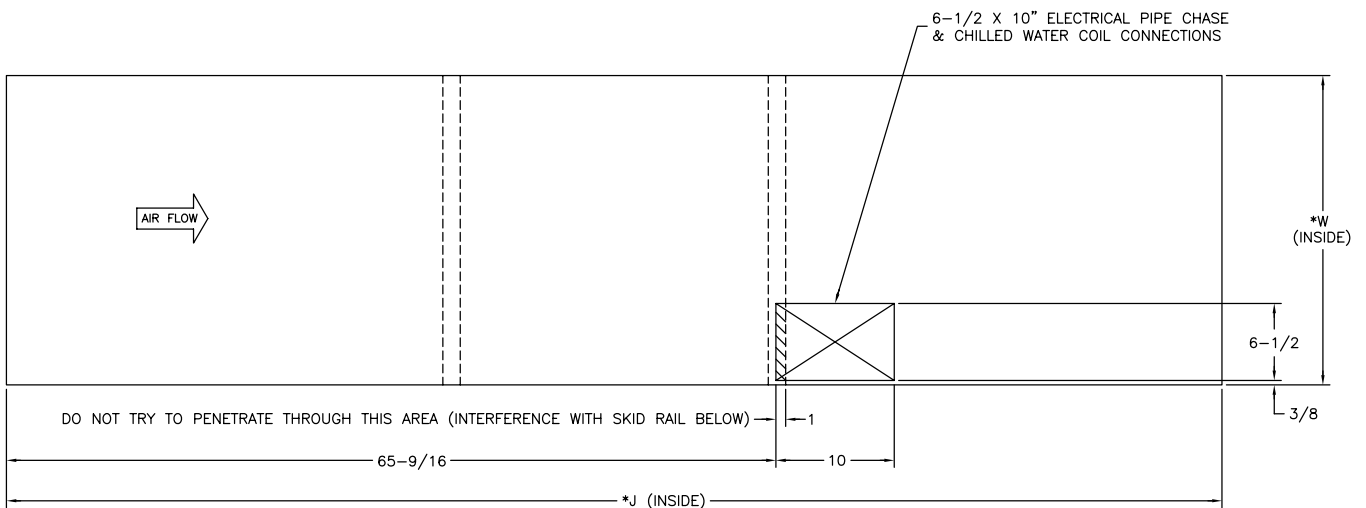
Top View - Left Hand Access
Cat #: D5688-A20

*For these dimensions, refer to Roof Curb Kit (U)RC006 submittal.

Arrangement - U Capacities 20 or 40



Top View - Right Hand Access
Cat #: D5688-B15



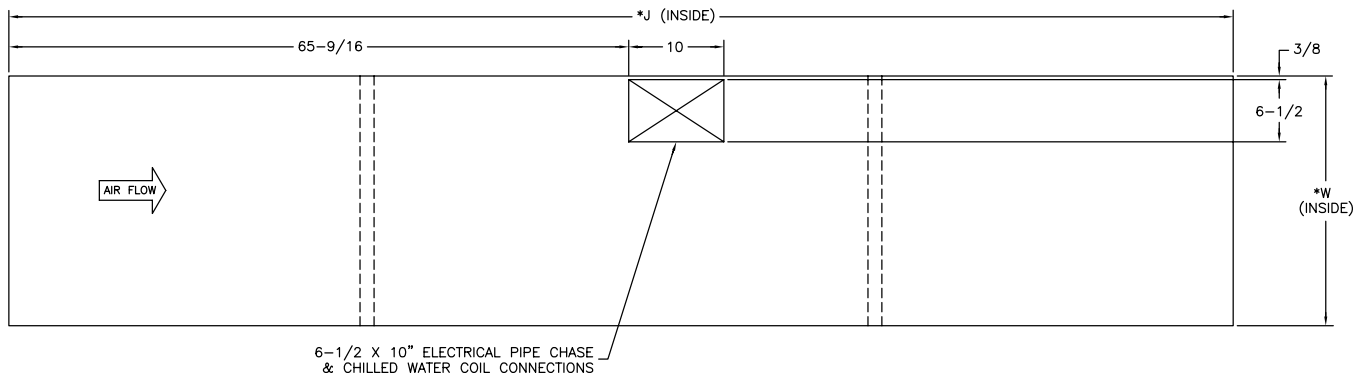
Top View - Left Hand Access
Cat #: D5688-B16

*For these dimensions, refer to Roof Curb Kit (U)RC006 submittal.

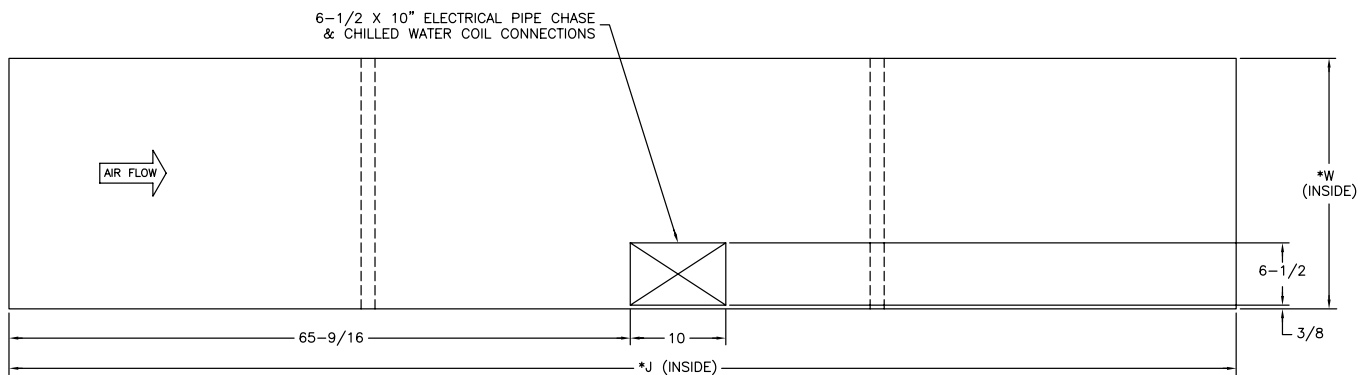
ENGINEERED PRODUCTS

Accessory Option #N2

Arrangement - W Capacities 20 or 40

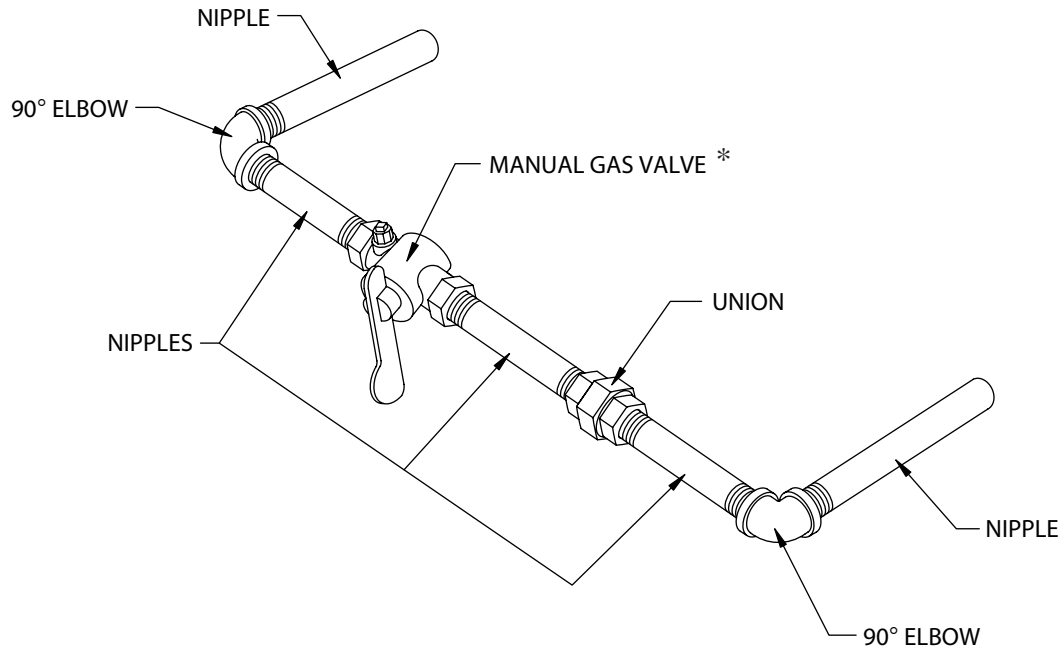


Top View - Right Hand Access
Cat #: D5688-B25



Top View - Left Hand Access
Cat #: D5688-B26

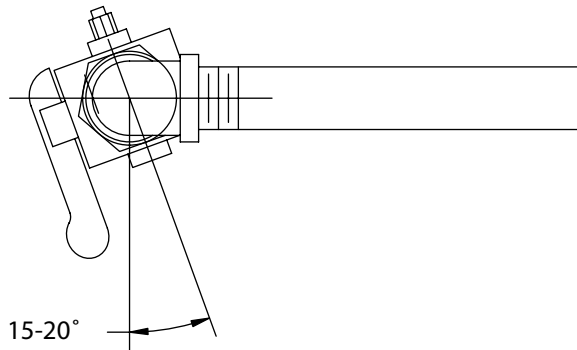
*For these dimensions, refer to Roof Curb Kit (U)RC005 submittal.



Manual Shutoff Piping Kit
Cat #: D03329-1

Included in all N2 option packages. Manual shutoff must be installed external to furnace cabinet and reconnected inside furnace to floor base utilizing all piping kit components and instructions.

* When installed within the Commonwealth of Massachusetts, a "T" handle gas cock must be used.



THIS ANGLE MUST BE MAINTAINED TO PREVENT INTERFERENCE WHEN REMOVING THE ACCESS PANEL.

Manual Shutoff Location Positioning
Cat #: D03329-2

Index

N2

Through The Base Utility Penetration Locations

Page	Arrangement(s)	Unit Capacities	Roof Curb Kit
Cover - N2 Photos/Reference			
2	B & D	10/40	(U)RC001/002
3	B & D	50/80	(U)RC003/004
4	C & E	10/40	(U)RC003/004
5	C & E	50/80	(U)RC007/008
6	G	20, 25, 30 & 40	(U)RC006
7	G	35	(U)RC006
8	G	50, 60 & 80	(U)RC005
9	G	70	(U)RC005
10	G	12	(U)RC009
11	J	20, 25, 30 & 40	(U)RC005
12	J	35	(U)RC005
13	J	50, 60 & 80	(U)RC009
14	J	70	(U)RC009
15	J	12	(U)RC010
16	K	10 & 15	(U)RC005
17	K	20/40	(U)RC005
18	K	50/80	(U)RC009
19	L	10 & 15	(U)RC009
20	L	20/40	(U)RC009
21	L	50/80	(U)RC010
22	N & R	20 or 40	(U)RC001/002
23	S	20 or 40	(U)RC013
24	T	20 or 40	(U)RC006
25	U	20 or 40	(U)RC006
26	W	20 or 40	(U)RC005
27 - Piping Kit Contents			