

ENGINEERED PRODUCTS



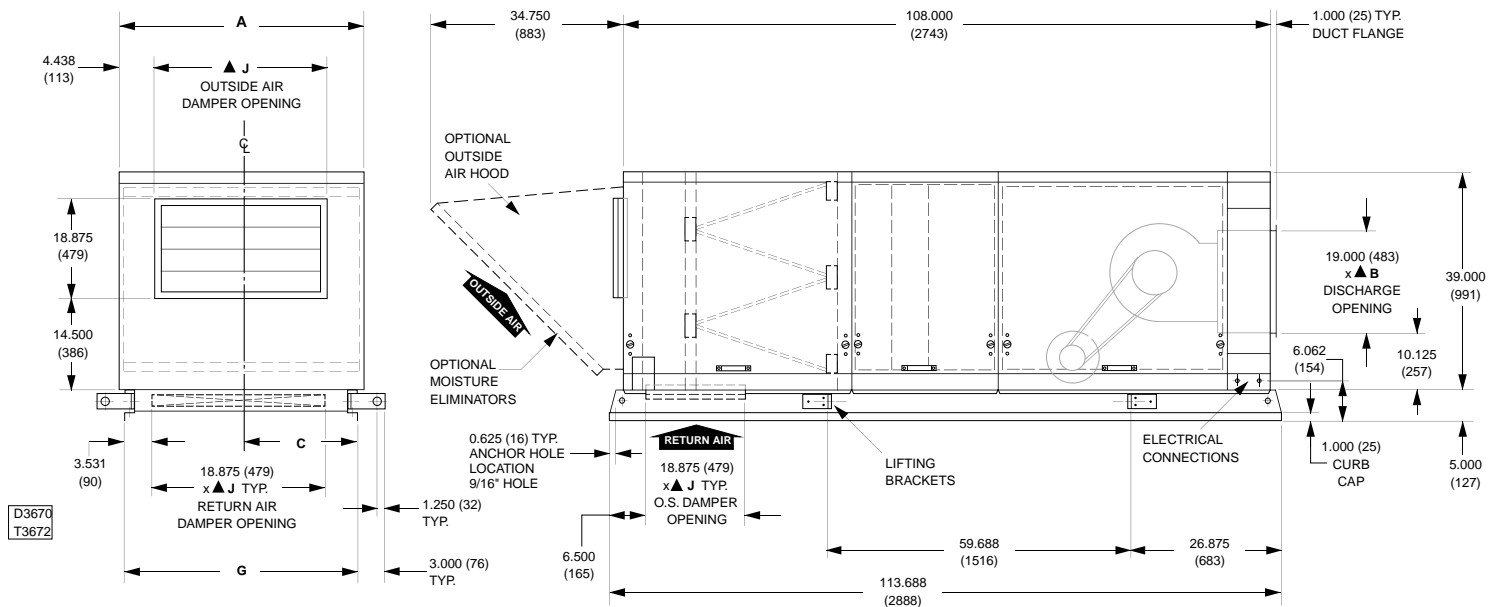
Model - AH(20, 40) (0) (0) U

Unit Type (UT) - AH, High CFM Air Handler with Cooling Module
Capacity (CA) - 20 or 40 (200 or 400 mBTU)

Furnace Type/Access Side (FT) - A, Right Hand or B, Left Hand

Furnace Construction Material (FM) - 0, None

Rooftop Arrangement (RA) - U, High CFM Air Handler



CAPACITY	A	B	C	G	▲J
<input type="checkbox"/> 20	43.875 (1114)	23.812 (605)	21.938 (557)	42.062 (1068)	35.000 (889)
<input type="checkbox"/> 40	60.375 (1534)	45.812 (1164)	30.188 (767)	58.562 (1487)	51.500 (1308)

NOTE:
DIMENSIONS ARE IN INCHES, DIMENSIONS IN PARENTHESIS ARE IN MILLIMETERS.
▲ "J" DIMENSION IS AN OUTSIDE DIMENSION FOR RETURN AIR DAMPERS.

Project: _____

Unit Tag: _____



260 NORTH ELM ST. WESTFIELD, MA 01085
(413) 564-5540 • FAX: (413) 562-5311

www.sterlinghvac.com A MESTEK COMPANY

The above dimensional drawing includes options that might not pertain to the unit being submitted for approval. Please note that the following items checked below are **not included** with the unit being submitted:

Outside Air Opening / Dampers Cooling Coil in the Coil Module

Return Air Openings / Dampers Outside Air Hood

ENGINEERED PRODUCTS

AH(20, 40) (0) (0) U Performance Table

		TOTAL EXTERNAL STATIC PRESSURE (INCHES OF WATER)															
		0.2		0.4		0.6		0.8		1		1.2		1.4		1.6	
Capacity	CFM	RPM	BHP	RPM	BHP	RPM	BHP	RPM	BHP	RPM	BHP	RPM	BHP	RPM	BHP	RPM	BHP
20	3,000	455	0.52	495	0.60	550	0.70	610	0.82	670	0.93	730	1.06	785	1.21	840	1.37
	4,000	575	1.13	610	1.24	645	1.35	680	1.47	720	1.61	760	1.76	810	1.92	855	2.07
40	5,000	405	0.67	465	0.84	540	1.03	610	1.25	675	1.50	740	1.77	800	2.04	855	2.31
	6,000	470	1.08	510	1.26	570	1.48	630	1.71	690	1.95	745	2.22	800	2.53	855	2.85

		TOTAL EXTERNAL STATIC PRESSURE (INCHES OF WATER)													
		1.8		2		2.2		2.4		2.6		2.8		3	
Capacity	CFM	RPM	BHP	RPM	BHP	RPM	BHP	RPM	BHP	RPM	BHP	RPM	BHP	RPM	BHP
20	3,000	890	1.53	940	1.69	985	1.86	1030	2.02	1075	2.19				
	4,000	900	2.23	940	2.40	985	2.58	1025	2.78	1070	2.99	1110	3.20	1150	3.41
40	5,000	905	2.59	955	2.88										
	6,000	905	3.17	955	3.50										

NOTES: The pressure drop for Accessories from the following table, must be allowed for when using the above Performance table.

Unless otherwise specified, the following conversions may be used for calculating SI units.

1 Cu. Ft. = 0.028m³, 1 ft. = 0.305m, 1 in. = 25.4mm, 1 psig = 6.894 kPa, 1000 Btu per hr. = 0.293 kW, 1 in. water column = 0.249 kPa, 1 gallon = 3.785 L, 1000 Btu/Cu. Ft. = 37.5 MJ/m³, 1 lb. = 0.453 kg.

AH(20, 40) (0) (0) U Accessories Pressure Drop Table

		PRESSURE LOSS (INCHES OF WATER)							
Capacity	CFM	RAINHOOD WITH		FILTERS					RETURN AIR DAMPER
		SCREEN	ELIM	THROWAWAY	WASHABLE		PLEATED		
				2"	1"	2"	1"	2"	
20	3,000	.05	.07	.06	.01	.02	.07	.04	.08
	4,000	.09	.13	.09	.02	.03	.12	.07	.15
40	5,000	.07	.10	.05	<.01	.01	.06	.03	.10
	6,000	.10	.14	.07	.01	.02	.08	.04	.15

AH(20, 40) (0) (0) U Cooling Module Specifications

DX Coil Performance Table (Refrigerant R-22)

Rooftop Unit Capacity	Air Flow SCFM	Face Velocity FPM	4 Row					6 Row				
			Fin Spacing FPF	Coil Capacity MBH	L.A.T. DB / WB	A.P.D. IN. W.C.	WT. LBS.	Fin Spacing FPF	Coil Capacity MBH	L.A.T. DB / WB	A.P.D. IN. W.C.	WT. LBS.
20	3000	406	115	88.2	58/ 57	0.38	118	103	112.0	55/ 54	0.56	158
		406	147	98.0	57/ 56	0.44	124	136	122.0	53/ 53	0.65	169
		406	165	104.0	56/ 55	0.52	128	167	129.0	52/ 52	0.78	178
	4000	542	108	102.0	60/ 59	0.56	116	102	135.0	56/ 56	0.85	158
		542	140	116.0	58/ 57	0.66	123	136	149.0	55/ 55	1.00	169
		542	163	124.0	57/ 57	0.77	128	162	157.0	54/ 54	1.17	177
	4400	596	104	106.0	61/ 59	0.63	115	102	143.0	57/ 56	0.97	158
		596	133	120.0	59/ 58	0.73	121	137	159.0	55/ 55	1.16	169
		596	148	126.0	58/ 58	0.80	124	149	163.0	55/ 55	1.23	173
40	5000	460	99	145.0	59/ 57	0.45	159	97	179.0	56/ 55	0.67	220
		460	132	164.0	57/ 56	0.52	169	142	196.0	54/ 54	0.80	240
		460	167	178.0	55/ 55	0.64	179	167	206.0	53/ 53	0.95	252
	6000	552	98	160.0	60/ 58	0.58	158	102	200.0	57/ 56	0.88	223
		552	134	182.0	58/ 57	0.68	169	143	224.0	55/ 54	1.06	241
		552	160	194.0	57/ 56	0.79	177	161	233.0	54/ 54	1.19	249
	6300	580	97	163.0	60/ 58	0.61	158	104	205.0	57/ 56	0.93	223
		580	134	187.0	58/ 57	0.73	169	138	229.0	55/ 55	1.11	239
		580	153	196.0	57/ 57	0.81	175	154	238.0	54/ 54	1.22	246

Chilled Water Coil Performance Table

Rooftop Unit Capacity	Air Flow SCFM	Face Velocity FPM	4 Row					6 Row				
			Fin Spacing FPF	Coil Capacity MBH	L.A.T. DB / WB	A.P.D. IN. W.C.	WT. LBS.	Fin Spacing FPF	Coil Capacity MBH	L.A.T. DB / WB	A.P.D. IN. W.C.	WT. LBS.
20	3000	406	84	107.2	57/ 55	0.32	83	84	133.3	53/ 52	0.48	113
		406	88	116.0	56/ 54	0.33	86	102	141.2	52/ 51	0.53	119
		406	104	124.0	54/ 53	0.36	89	123	148.6	51/ 50	0.59	125
	4300	582	84	127.5	60/ 58	0.54	83	84	163.3	55/ 54	0.82	113
		582	102	138.0	58/ 56	0.60	86	103	175.0	54/ 53	0.91	119
		582	124	149.0	57/ 56	0.67	91	125	186.0	53/ 52	1.00	126
40	4900	451	84	162.5	58/ 56	0.38	115	84	203.2	54/ 53	0.56	159
		451	102	175.2	56/ 55	0.42	121	102	216.0	53/ 52	0.63	168
		451	124	188.1	55/ 54	0.46	127	124	228.0	52/ 51	0.69	178
	6300	580	84	181.9	60/ 58	0.54	115	84	231.0	56/ 55	0.81	159
		580	104	198.0	58/ 57	0.60	121	104	249.0	54/ 54	0.89	168
		580	103	213.0	57/ 56	0.60	213	125	264.0	53/ 53	0.98	178

CONVERSIONS: 2119 SCFM = 1 m³/s, 196.8 FPM = 1 m/s, 3.412 MBH = 1 kW, (°F-32) 5/9 = °C, 1 in. W.C. = 248.8 Pa, 0.4536 kg = 1 lb.

- NOTES: 1) Data certified in accordance with ARI standard 410.
 2) Capacity based on 80°F EDB, 67°F EWB, 45°F Sat. Suction, 100°F Liquid.
 3) Weight listed is the total weight of the dry coil.
 4) Consult customer service department for special coil requirements.

AH(20, 40) (0) (0) U

Weights, Filter Data & Roof Openings

Unit Weights

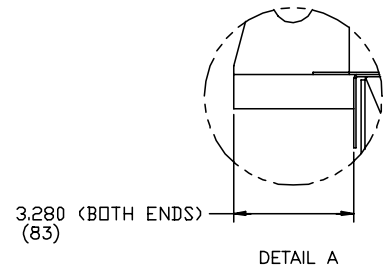
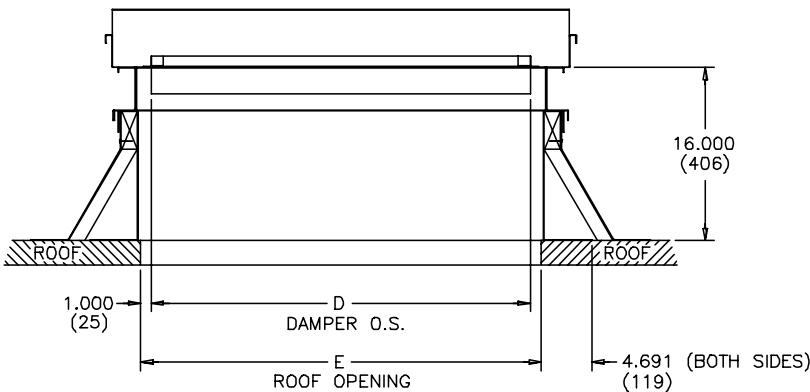
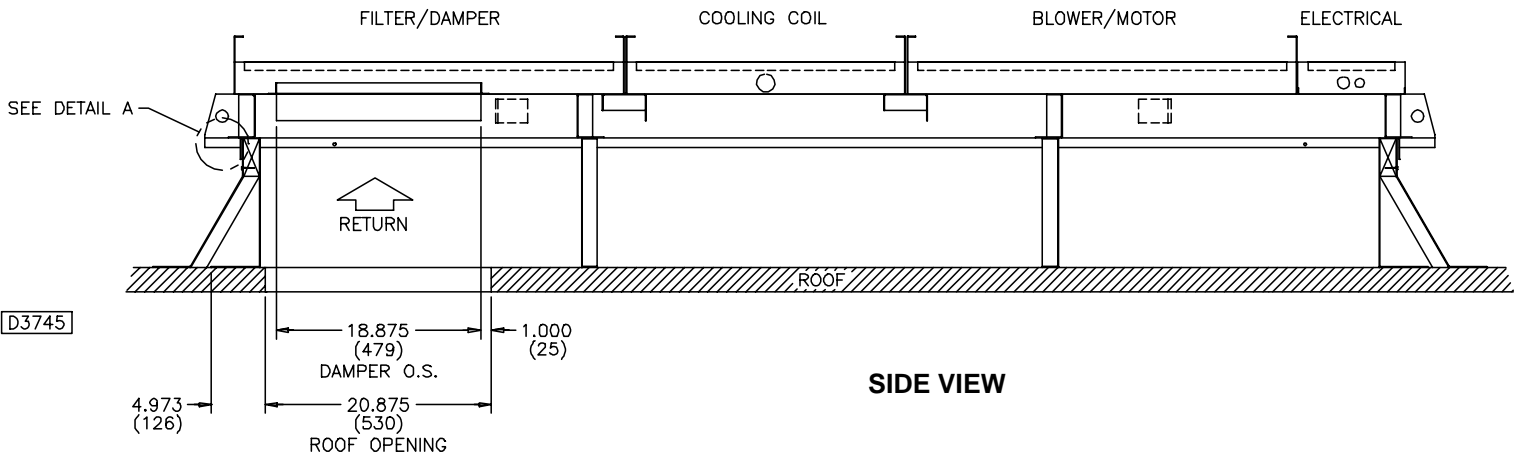
Approximate weights for Arrangement "U"			
Unit Type	Net Wt.	Ship Wt.	Add for
Capacity	(Lb.)	(Lb.)	Outside Air Hood
AH20	652	789	51
AH40	865	880	63

See motor spec #MDS-1 for motor weight/adder & amperage.

Filter Data

Capacity	(Quantity) Filter Size
20	(8) 20 x 20
40	(12) 20 x 20

Roof Openings



**ROOF CURB KIT
#RC014**

CAPACITY (CA)	D	E
20	35.000 (889)	37.000 (940)
40	51.500 (1,308)	53.500 (1,359)

MODEL NUMBER

	1	2	3	4	5	6	7	8	9	10	11	12	13	14	15	16	+
(EXX)	A	H	*	*	0	0	U										

*DIGITS 3 & 4 = (CA) CAPACITY
REFER TO CATALOG FOR MODEL NUMBER DESCRIPTION.