

# ENGINEERED PRODUCTS



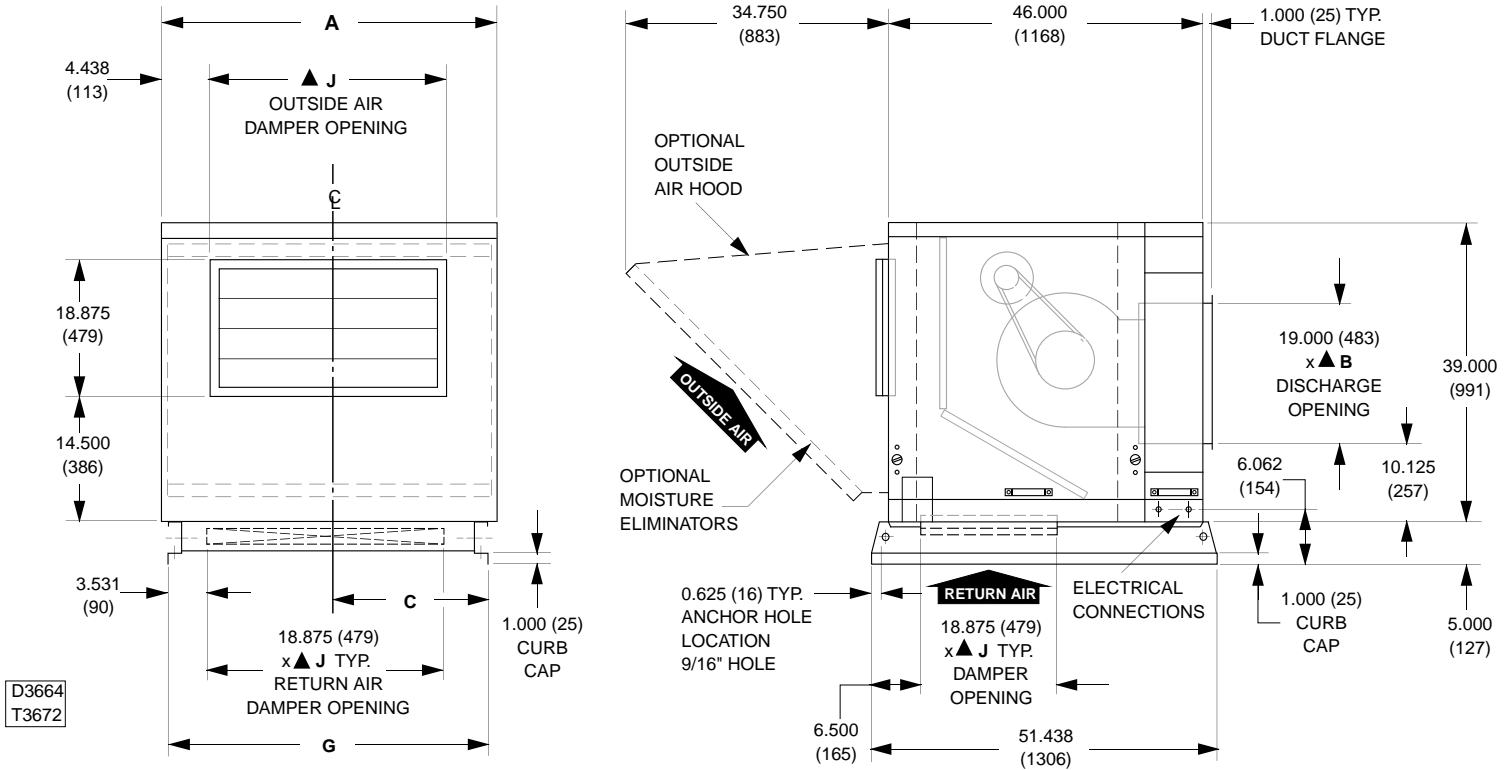
## Model - AH(20, 40) (0) (0) M

Unit Type (UT) - AH, Standard Air Handler  
Capacity (CA) - 20 or 40 (200 or 400 mBTU)

Furnace Type/Access Side (FT) - A, Right Hand or B, Left Hand

Furnace Construction Material (FM) - 0, None

Rooftop Arrangement (RA) - M, Standard Air Handler



CAPACITY	A	B	C	G	▲J
<input type="checkbox"/> 20	43.875 (1114)	23.812 (605)	21.938 (557)	42.062 (1068)	35.000 (889)
<input type="checkbox"/> 40	60.375 (1534)	45.812 (1164)	30.188 (767)	58.562 (1487)	51.500 (1308)

NOTE:  
DIMENSIONS ARE IN INCHES, DIMENSIONS IN PARENTHESIS ARE IN MILLIMETERS.  
▲ "J" DIMENSION IS AN OUTSIDE DIMENSION FOR RETURN AIR DAMPERS.

Project: \_\_\_\_\_

Unit Tag: \_\_\_\_\_



260 NORTH ELM ST. WESTFIELD, MA 01085  
(413) 564-5540 • FAX: (413) 562-5311

www.sterlinghvac.com A MESTEK COMPANY

The above dimensional drawing includes options that might not pertain to the unit being submitted for approval. Please note that the following items checked below are **not included** with the unit being submitted:

Outside Air Opening / Dampers       Outside Air Hood

Return Air Openings / Dampers

# ENGINEERED PRODUCTS

## AH(20, 40) (0) (0) M Performance Table

Capacity		TOTAL EXTERNAL STATIC PRESSURE (INCHES OF WATER)															
		0.2		0.4		0.6		0.8		1		1.2		1.4		1.6	
		RPM	BHP	RPM	BHP	RPM	BHP	RPM	BHP	RPM	BHP	RPM	BHP	RPM	BHP	RPM	BHP
20	1,500	395	0.12	530	0.19	645	0.27	750	0.35	845	0.44	930	0.54	1010	0.65	1085	0.76
	2,000	435	0.22	550	0.30	655	0.40	750	0.49	835	0.59	915	0.70	995	0.81	1065	0.93
	3,000	555	0.61	630	0.71	710	0.83	790	0.96	865	1.09	935	1.23	1000	1.37	1065	1.51
	4,000	700	1.33	750	1.47	805	1.61	865	1.75	930	1.90	990	2.07	1045	2.25	1105	2.43
	5,000	855	2.51	890	2.68	930	2.85	975	3.02	1020	3.19	1070	3.37	1120	3.55	1170	3.75
	5,500	935	3.30	965	3.49	1000	3.67	1040	3.86	1080	4.05	1120	4.24	1165	4.43	1210	4.63
	6,000	1015	4.25	1040	4.45	1075	4.65	1105	4.85								
40	4,000	450	0.46	565	0.64	670	0.82	760	1.01	845	1.22	930	1.43	1005	1.66	1075	1.90
	5,000	510	0.79	605	0.99	700	1.21	785	1.44	860	1.67	935	1.91	1005	2.16	1070	2.42
	6,000	575	1.28	655	1.49	740	1.73	815	2.00	885	2.28	955	2.56	1020	2.84	1085	3.12
	7,000	650	1.95	715	2.19	785	2.44	855	2.73	920	3.04	985	3.36	1045	3.68	1105	4.00
	8,000	725	2.83	780	3.10	840	3.38	905	3.67	965	3.99	1025	4.34	1080	4.71		

Capacity		TOTAL EXTERNAL STATIC PRESSURE (INCHES OF WATER)															
		1.8		2		2.2		2.4		2.6		2.8		3			
		RPM	BHP	RPM	BHP	RPM	BHP	RPM	BHP	RPM	BHP	RPM	BHP	RPM	BHP		
20	2,000	1135	1.06														
	3,000	1125	1.66	1180	1.81	1240	1.96	1295	2.12	1350	2.28	1405	2.45	1455	2.62		
	4,000	1160	2.61	1210	2.80	1260	2.98	1310	3.17	1360	3.35	1405	3.54	1455	3.74		
	5,000	1220	3.96	1265	4.18	1310	4.40	1360	4.63	1400	4.86						
	5,500	1255	4.84														
40	4,000	1140	2.15	1205	2.42												
	5,000	1135	2.69	1200	2.97												
	6,000	1140	3.41	1200	3.71	1255	4.02	1315	4.34	1365	4.67	1420	5.00				
	7,000	1160	4.33	1215	4.66	1270	4.99										

**NOTES:** The pressure drop for Accessories from the following table, must be allowed for when using the above Performance table.

Unless otherwise specified, the following conversions may be used for calculating SI units.

1 Cu. Ft. = 0.028m<sup>3</sup>, 1 ft. = 0.305m, 1 in. = 25.4mm, 1 psig = 6.894 kPa, 1000 Btu per hr. = 0.293 kW,

1 in. water column = 0.249 kPa, 1 gallon = 3.785 L, 1000 Btu/Cu. Ft. = 37.5 MJ/m<sup>3</sup>, 1 lb. = 0.453 kg.

## AH(20, 40) (0) (0) M Accessories Pressure Drop Table

Capacity		PRESSURE LOSS (INCHES OF WATER)										RETURN AIR DAMPER
		RAINHOOD				FILTERS						
		WITH		ELIM		THROWAWAY		WASHABLE		PLEATED		
		SCREEN	ELIM	2"	1"	2"	1"	2"				
20	1,600	.02	.02	.05	<.01	.01	.06	.03	.03			
	1,800	.02	.03	.06	<.01	.01	.07	.04	.03			
	2,000	.02	.03	.07	.01	.02	.08	.04	.04			
	2,200	.03	.04	.08	.01	.02	.09	.05	.05			
	2,400	.03	.05	.09	.02	.02	.11	.06	.05			
	2,500	.04	.05	.09	.02	.03	.12	.07	.06			
	3,000	.05	.07	.12	.03	.04	.16	.09	.08			
	4,000	.09	.13	.17	.05	.07	.26	.16	.15			
	5,000	.15	.20	—	.07	.11	.38	.23	.23			
	5,500	.18	.25	—	.09	.13	.44	.28	.28			
40	4,000	.04	.06	.10	.02	.03	.13	.07	.07			
	4,400	.05	.07	.11	.03	.04	.15	.09	.08			
	4,800	.06	.09	.13	.03	.04	.18	.10	.10			
	5,000	.07	.10	.13	.03	.05	.19	.11	.10			
	6,000	.10	.14	.17	.05	.07	.26	.16	.15			
	7,000	.13	.19	—	.07	.09	.33	.21	.20			
	8,000	.17	.24	—	.09	.12	.42	.26	.26			

# AH(20, 40) (0) (0) M

## Weights, Filter Data & Roof Openings

### Unit Weights

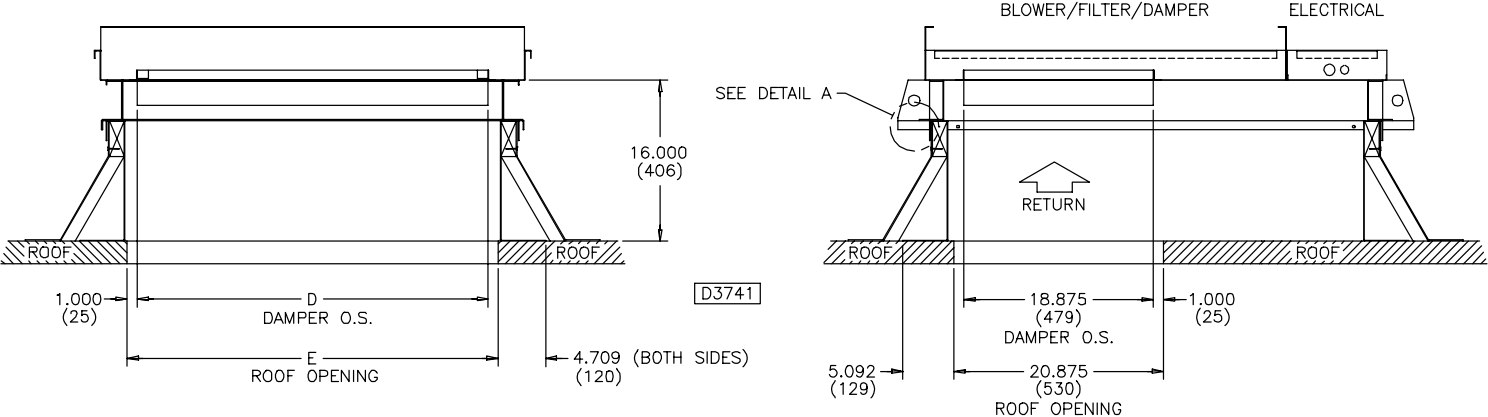
Approximate weights for Arrangement "M"			
Unit Type	Net Wt.	Ship Wt.	Add for
Capacity	(Lb.)	(Lb.)	Outside Air Hood
AH20	406	488	51
AH40	529	621	63

See motor spec #MDS-1 for motor weight/adder & amperage.

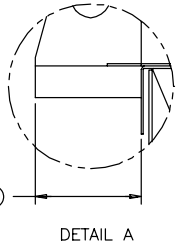
### Filter Data

Capacity	(Quantity)
	Filter Size
20	(4) 20 x 20
40	(6) 20 x 20

### Roof Openings



CAPACITY (CA)	D	E
20	35.000 (889)	37.000 (940)
40	51.500 (1,308)	53.500 (1,359)



**ROOF CURB KIT #RC011**

### MODEL NUMBER

	1	2	3	4	5	6	7	8	9	10	11	12	13	14	15	16	+
(EXX)	A	H	*	*	0	0	M										

\*DIGITS 3 & 4 = (CA) CAPACITY  
REFER TO CATALOG FOR MODEL NUMBER DESCRIPTION.



260 NORTH ELM ST. WESTFIELD, MA 01085  
(413) 568-9571 • FAX: (413) 562-5311

[www.sterlinghvac.com](http://www.sterlinghvac.com)  A MESTEK COMPANY