

INSTALLATION INSTRUCTIONS

VERSA-LINE COMMERCIAL FINNED TUBE RADIATION VA/VB-X AND VA/VB-C

1. These cover styles lay directly onto the element fin and do not use a back plate for support.
2. Determine quantities of enclosure and accessories required per wall or run.
- 3A. **Hot Water Systems:** Install two (2) wall mounted hangers (elevation location will be found on submittal document.) per element length up to 5'-0" of length. Three (3) wall mounted hangers per element length 5'-6" up to 9'-6" (8'-0" for ¾" copper/aluminum) of length. Four (4) wall mounted hangers per element length 9'-6" up to 12'-6". Accessories do not require brackets. Apply the same for second and/or third tier of element if required.
- 3B. **Steam Systems (Two Pipe):**
If this style of cover is used on two pipe steam applications, the wall mounted brackets and cover will have to be pitched downward from the supply end of the element. The minimum rate of pitch is ½" drop over a 20 foot run. Install two (2) wall mounted hangers (elevation location will be found on submittal document.) per element length up to 5'-0" of length. Three (3) wall mounted hangers per element length 5'-6" up to 9'-6" (8'-0" for ¾" copper/aluminum) of length. Four (4) wall mounted hangers per element length 9'-6" up to 12'-6". Accessories do not require brackets. Apply the same for second and/or third tier of element if required.
4. Lay out heating element as required. Place slide cradle onto the bottom of element at each bracket location. The element cradle has two legs that angle out slightly. Position the legs between the fins so there is tension against the legs. This holds the cradle in position. Check submittal drawing for correct position of element fin. **For copper tube elements, flush the loop or series with system water after soldering to neutralize the remaining flux material and prevent corrosive action and resulting pinhole leaks.**
5. The cover can now be installed. The element fin supports the cover. Start enclosure at left end of run working clockwise.
6. Install overlapping accessories as indicated on room schedule. Where the covers butt against each other, an optional overlapping splice plate can be installed. All accessories are overlapping and are secured in place with fasteners by others.

MAINTENANCE

Before each heating season, remove accessories and enclosure panel to inspect finned tube elements for accumulation of dust or other debris that may accumulate and block airflow between fins. Remove dust and debris from coil fins with a vacuum cleaner or compressed air. Inspect for leaks or areas of corrosion. It should not be required, but if necessary, place a drop of lubricant (machine oil) onto each ball bearing (where applicable) located in the hangers. Replace cover and accessories.



STERLING
COMMERCIAL HYDRONIC PRODUCTS

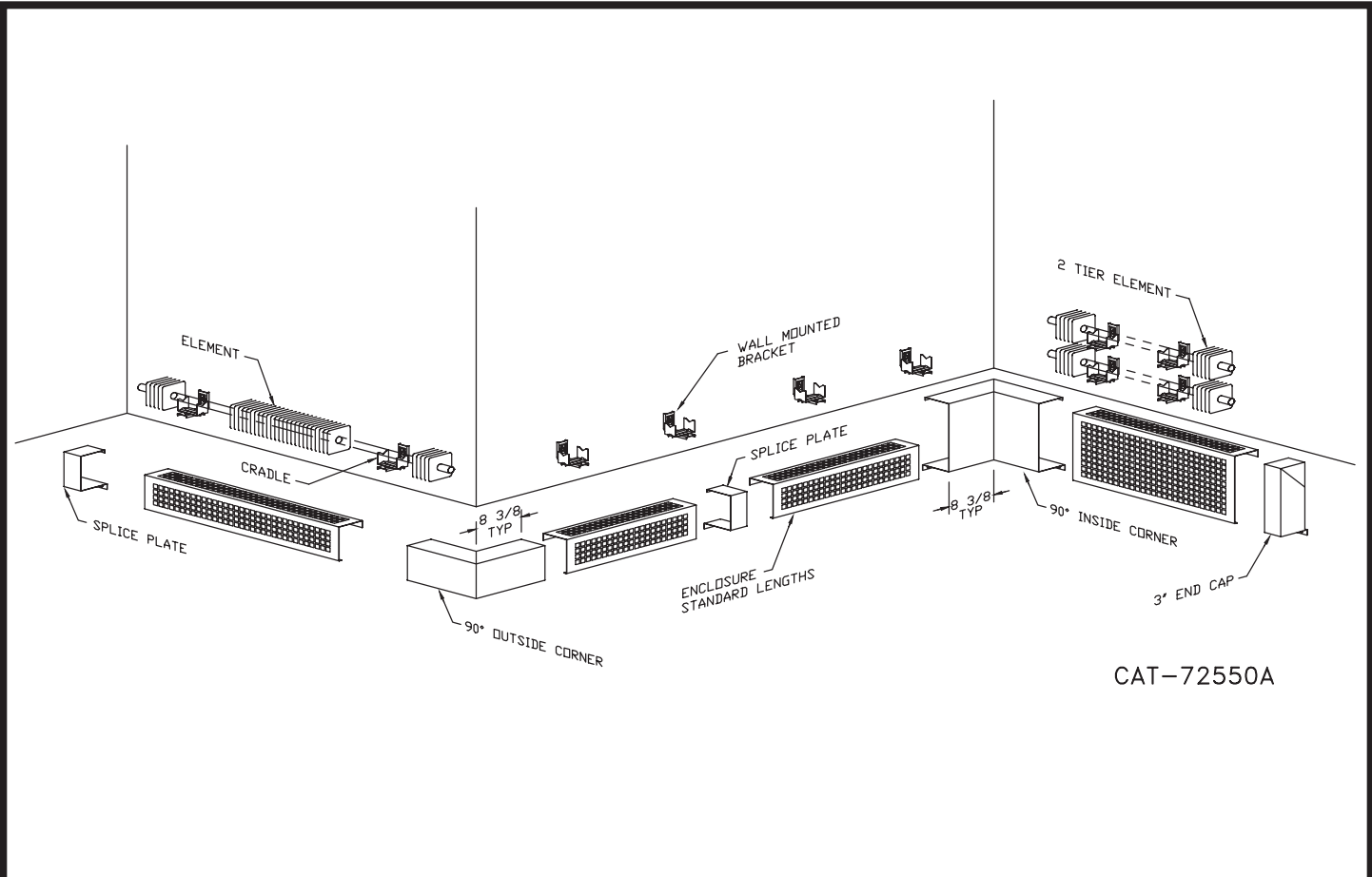
260 North Elm St., Westfield, MA 01085 Tel: (413) 564-5535 Fax: (413) 564-5661
www.sterlingheat.com



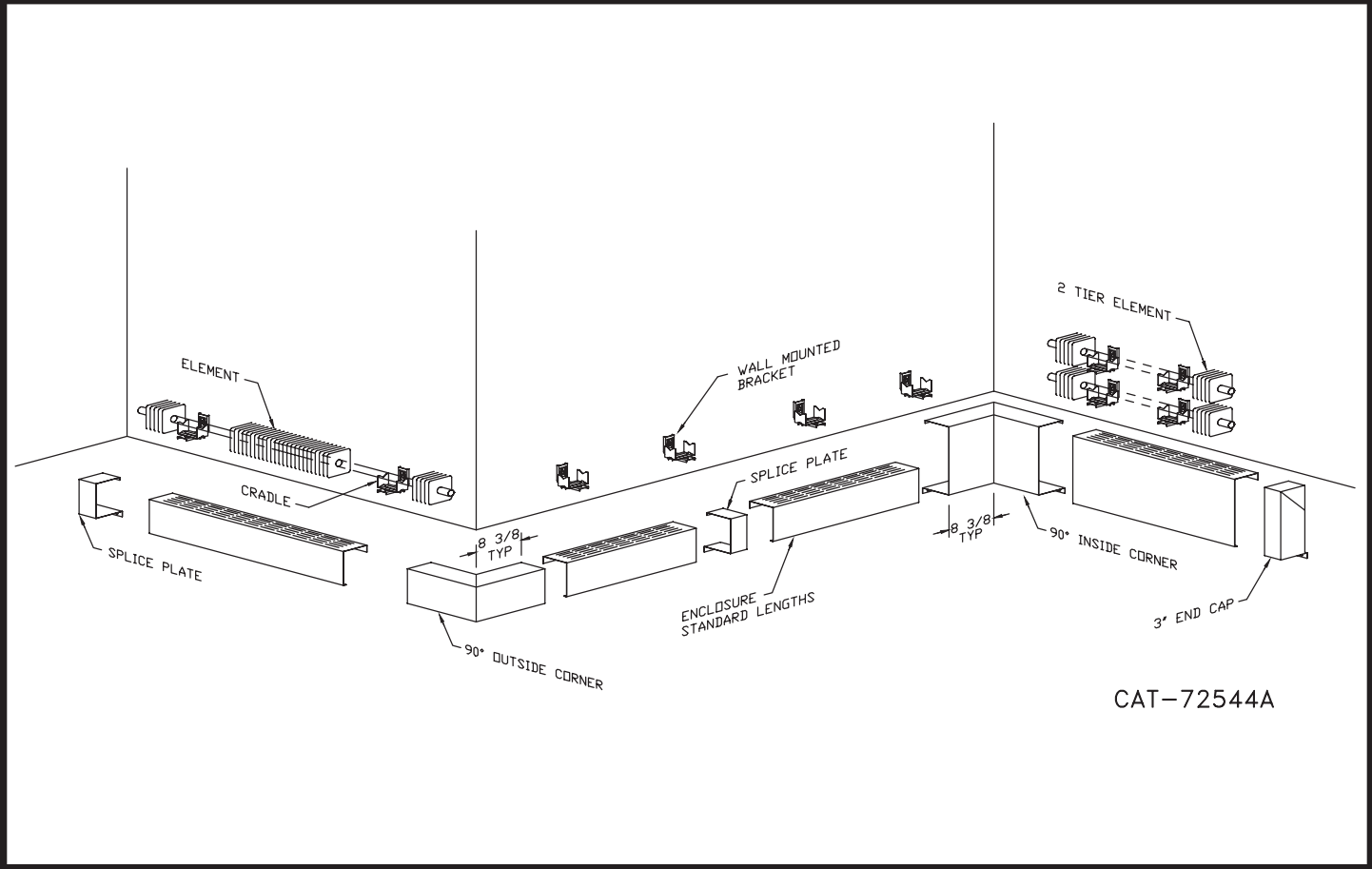
A MESTEK COMPANY



GENERAL LAYOUT



CAT-72550A



CAT-72544A