

INSTALLATION INSTRUCTIONS

VERSA-LINE COMMERCIAL FINNED TUBE RADIATION JVB-PM/2PM

- Per the mechanical drawings, layout the pedestal brackets based on the enclosure lengths of the run. For enclosures 2'-0" to 5'-0" lengths, two (2) brackets will be required. These brackets should start and end 6" to 12" in from each end of the enclosure. For enclosures 5'-6" to 8'-0" lengths, three (3) brackets will be required. The third bracket will be centered between the two outer brackets.
 - Once the bracket locations along the run have been determined, secure them to the floor with the specified fasteners (by others). The rear vertical bracket leg should be a minimum of 2" from the wall. Depending on the flatness of the finished floor, determine which (if any) of the brackets need to be shimmed to allow for a level and straight enclosure installation. An enclosure support bar will be installed between the two vertical legs of the pedestal bracket after the element(s) have been installed.
 - Locate finned tube element where identified on mechanical drawings. Place element slide cradle supports onto element where brackets are located. The legs of the element cradles are tapered slightly outward so that a friction or compression fit will occur and hold them in place when pressing the cradles into place between the element fins. Place element and element slide cradles onto the ball bearings in the bracket and make sweat connections. For steel element, apply specified pipe dope or sealing tape for threaded connections with the required threaded fittings.
- Check submittal drawings to confirm dimension out from wall to center of element and up from finished floor. Once the elements are connected into the heating system, a standard pressure leak test should be conducted as specified by the Mechanical Engineer. **For copper tube elements, flush the loop or series with system water after soldering to neutralize the remaining flux material and prevent corrosive action and resulting pinhole leaks.**
- The enclosure can now be installed. Starting at left end of run, place enclosure on brackets. Firmly push next piece of cover into slip joint tabs of next piece until run is completed. If flush mount end caps will be installed, install enclosures with male straps on right end to ensure end caps mate properly.
 - All other accessories are overlapping. When the accessory has been located to its correct position, fasten with sheet metal screw through solid part of enclosure.

MAINTENANCE

Before each heating season, remove accessories and enclosure panel to inspect finned tube elements for accumulation of dust or other debris that may accumulate and block airflow between fins. Remove dust and debris from coil fins with a vacuum cleaner or compressed air. Inspect for leaks or areas of corrosion. It should not be required, but if necessary, place a drop of lubricant (machine oil) onto each ball bearing (where applicable) located in the water brackets or bracket mounted hangers. Replace cover and accessories.

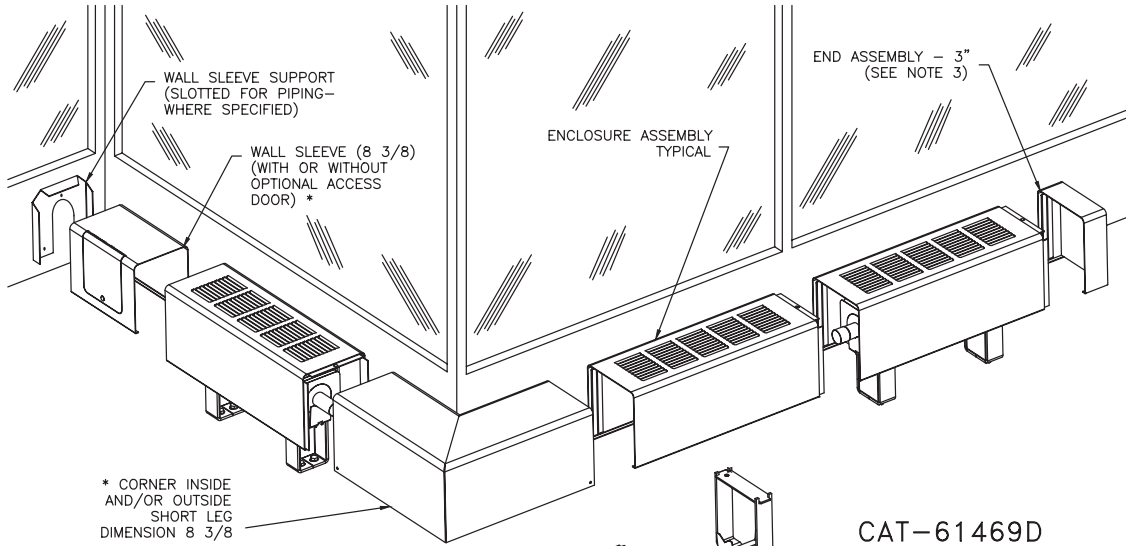


260 North Elm St., Westfield, MA 01085 Tel: (413) 564-5535 Fax: (413) 564-5661
www.sterlingheat.com

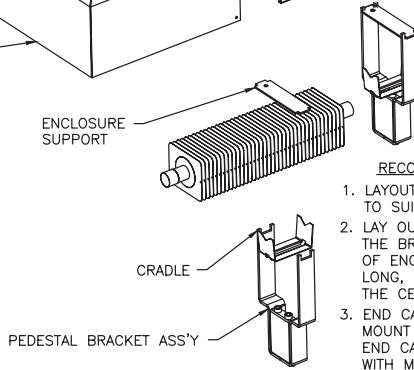
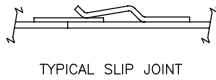


GENERAL LAYOUT

PM



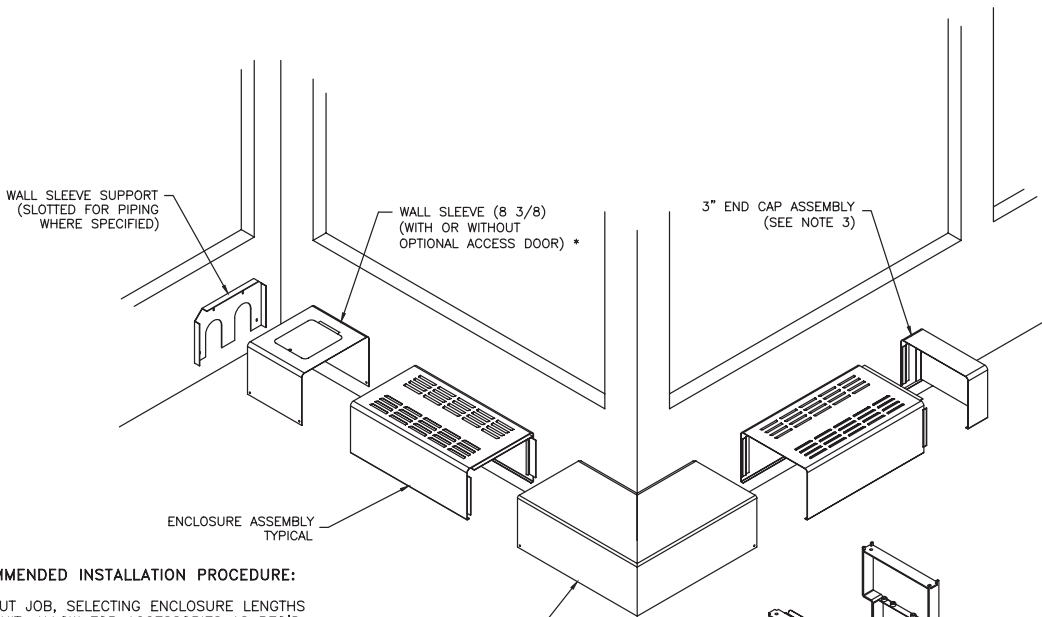
CAT-61469D



RECOMMENDED INSTALLATION PROCEDURE

1. LAYOUT JOB, SELECTING ENCLOSURE LENGTHS TO SUIT. ALLOW FOR ACCESSORIES AS REQ'D.
2. LAY OUT PEDESTAL BRACKET LOCATIONS SO THE BRACKETS ARE 6" TO 12" FROM THE END OF ENCLOSURE. FOR ENCLOSURES OVER 5 FT LONG, LOCATE AN ADDITIONAL BRACKET AT THE CENTER OF THAT ENCLOSURE.
3. END CAP ACCESSORIES ARE PROVIDED EITHER FLUSH MOUNT OR OVERLAPPING. TO ENSURE FLUSH MOUNT END CAPS MATE PROPERLY, INSTALL ENCLOSURES WITH MALE STRAPS ON RIGHT END.
4. ALL OTHER ACCESSORIES ARE OVERLAPPING. FASTEN WITH SHEET METAL SCREWS THROUGH SOLID PART OF ENCLOSURE.

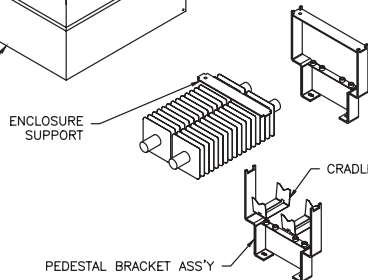
2PM



RECOMMENDED INSTALLATION PROCEDURE:

1. LAYOUT JOB, SELECTING ENCLOSURE LENGTHS TO SUIT. ALLOW FOR ACCESSORIES AS REQ'D.
2. LAYOUT PEDESTAL BRACKET LOCATIONS SO THE BRACKETS ARE 6" TO 12" FROM THE END OF ENCLOSURE. FOR ENCLOSURES OVER 5 FT LONG, LOCATE AN ADDITIONAL BRACKET AT THE CENTER OF THAT ENCLOSURE.
3. END CAP ACCESSORIES ARE PROVIDED EITHER FLUSH MOUNT OR OVERLAPPING. TO ENSURE FLUSH MOUNT END CAPS MATE PROPERLY, INSTALL ENCLOSURES WITH MALE STRAPS ON RIGHT END.
4. ALL OTHER ACCESSORIES ARE OVERLAPPING. FASTEN WITH SHEET METAL SCREWS THROUGH SOLID PART OF ENCLOSURE.

* CORNER INSIDE AND/OR OUTSIDE SHORT LEG DIMENSION 8 3/8
* OVERLAPPING



CAT-96502B