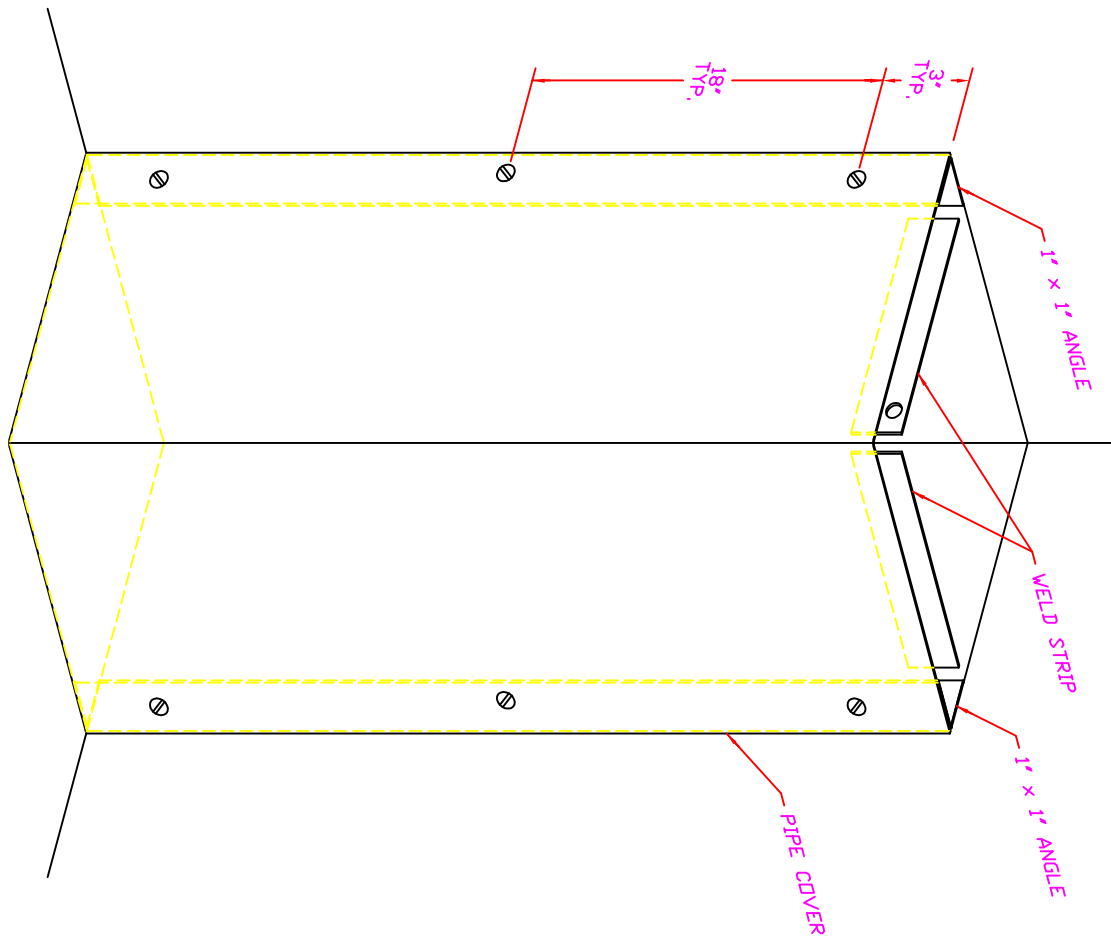
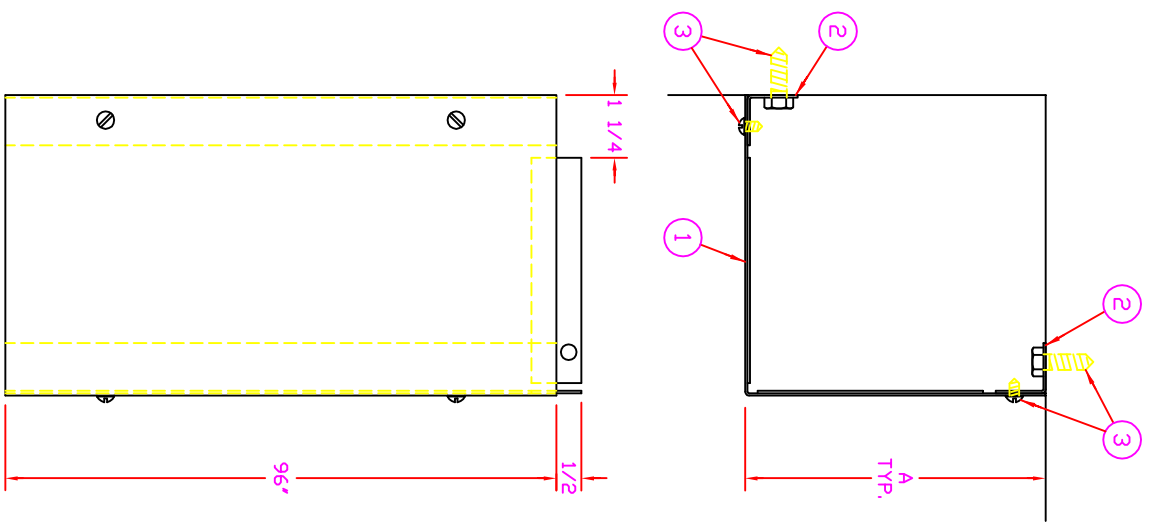


REVISE DRAWING ON CAD ONLY
NO MANUAL CHANGES ALLOWED



THIS PRINT AND ALL INFORMATION HEREIN IS THE PROPERTY OF WESTEK INC. NEITHER THE PRINT NOR THE INFORMATION THEREIN MAY BE REPRODUCED OR USED IN ANY MANNER, WHATSOEVER, WITHOUT THE SPECIFICALLY AUTHORIZED BY WESTEK INC.

CATALOG NUMBER	DWG. NO. CAT-	A
PCHV-52	50021-1	5'
PCHV-82	50021-2	8'

B	N/A	ADDED CATALOG NO. TO TABLE	9/12/02	RJP	
A	N/A	ADDED ITEMS-1 & 3 DWG. NOS. -1 WAS 6' & -2 WAS 9'	3/14/95	SL	RJP
LET	ECN NO.	REVISION	DATE	BY	APVD

DATE	11/4/94	JOB NAME	
BY	SL	ELEMENT	
SCALE	1=2	TITLE	INSTALLATION PCHV
BY	RJP	TITLE	VERTICAL PIPE COVER
DWG. NO.	CAT-50021	REV.	B

3	FASTENERS BY OTHERS	STEEL
2	1" x 1" ANGLE	SRP-45102 16 GA CRS
1	COVER ASS'Y.	SRP-52256 18 GA CRS
DESCRIPTION		DWG. NUMBER MATERIAL
HYDRONIC HEATING PRODUCTS		
2500 DIVISION OF WESTEK, INC.		