



PANEL RADIATOR
TECHNICAL DATA

	Page Number
Panel Radiator Weights.....	2
Standard Piping Connection Locations PR, PRF, PRC Assemblies.....	3
Standard Piping Connection Locations PR2, PR2F, PR3F Assemblies	4
Standard Piping Connection Locations PRV Assemblies.....	5
Pressure Drops for PR, PRF, PRC Panel Assemblies: Opposite End Connections.....	6
Pressure Drops for PR, PRF, PRC Panel Assemblies: Same End Connections.....	7
Pressure Drops for PR2, PR2F, PR3F Panel Assemblies: Opposite End Connections	8
Pressure Drops for PR2, PR2F, PR3F Panel Assemblies: Same End Connections	9
Pressure Drops for PRV Panel Assemblies: Opposite End Connections.....	10
Pressure Drops for PRV Panel Assemblies: Same End Connections.....	11

PANEL RADIATOR ASSEMBLY WEIGHTS PER FOOT

Model	Lbs /Ft	Model	Lbs /Ft	Model	Lbs /Ft	Model	Lbs /Ft	Model	Lbs /Ft	Model	Lbs /Ft	Model	Lbs /Ft
PR-1	1.3	PR2-1	2.6	PRF-1	1.9	PR2F-1	3.6	PR3F-1	6.0	PRC-1	1.3	PRV-1	1.3
PR-2	2.4	PR2-2	4.8	PRF-2	3.5	PR2F-2	6.9	PR3F-2	10.5	PRC-2	2.4	PRV-2	2.4
PR-3	3.5	PR2-3	7.0	PRF-3	5.1	PR2F-3	10.1	PR3F-3	15.3	PRC-3	3.5	PRV-3	3.5
PR-4	4.6	PR2-4	9.2	PRF-4	7.1	PR2F-4	13.9	PR3F-4	21.3	PRC-4	4.6	PRV-4	4.6
PR-5	5.7	PR2-5	11.4	PRF-5	9.9	PR2F-5	16.8	PR3F-5	29.7	PRC-5	5.7	PRV-5	5.7
PR-6	6.8	PR2-6	13.6	PRF-6	11.7	PR2F-6	20.0	PR3F-6	35.1	PRC-6	6.8	PRV-6	6.8
PR-7	8.0	PR2-7	16.0	PRF-7	13.8	PR2F-7	23.5	PR3F-7	41.4	PRC-7	8.0	PRV-7	8.0
PR-8	9.1	PR2-8	18.2	PRF-8	16.4	PR2F-8	27.6	PR3F-8	49.2	PRC-8	9.1	PRV-8	9.1
PR-9	10.2	PR2-9	20.4	PRF-9	17.5	PR2F-9	29.9	PR3F-9	52.5	PRC-9	10.2	PRV-9	10.2
PR-10	11.3	PR2-10	22.6	PRF-10	18.6	PR2F-10	32.1	PR3F-10	55.8	PRC-10	11.3	PRV-10	11.3

Weights listed above are for LOW PRESSURE PANEL RADIATOR ASSEMBLIES

Model	Lbs /Ft	Model	Lbs /Ft	Model	Lbs /Ft	Model	Lbs /Ft	Model	Lbs /Ft	Model	Lbs /Ft	Model	Lbs /Ft
PR-1	1.4	PR2-1	2.9	PRF-1	2.1	PR2F-1	4.0	PR3F-1	6.6	PRC-1	1.4	PRV-1	1.4
PR-2	2.6	PR2-2	5.3	PRF-2	3.9	PR2F-2	7.6	PR3F-2	11.6	PRC-2	2.6	PRV-2	2.6
PR-3	3.9	PR2-3	7.7	PRF-3	5.6	PR2F-3	11.1	PR3F-3	16.8	PRC-3	3.9	PRV-3	3.9
PR-4	5.1	PR2-4	10.1	PRF-4	7.8	PR2F-4	15.3	PR3F-4	23.4	PRC-4	5.1	PRV-4	5.1
PR-5	6.3	PR2-5	12.5	PRF-5	10.9	PR2F-5	18.5	PR3F-5	32.7	PRC-5	6.3	PRV-5	6.3
PR-6	7.5	PR2-6	15.0	PRF-6	12.9	PR2F-6	22.0	PR3F-6	38.6	PRC-6	7.5	PRV-6	7.5
PR-7	8.8	PR2-7	17.6	PRF-7	15.2	PR2F-7	25.9	PR3F-7	45.5	PRC-7	8.8	PRV-7	8.8
PR-8	10.0	PR2-8	20.0	PRF-8	18.0	PR2F-8	30.4	PR3F-8	54.1	PRC-8	10.0	PRV-8	10.0
PR-9	11.2	PR2-9	22.4	PRF-9	19.3	PR2F-9	32.9	PR3F-9	57.8	PRC-9	11.2	PRV-9	11.2
PR-10	12.4	PR2-10	24.9	PRF-10	20.5	PR2F-10	35.3	PR3F-10	61.4	PRC-10	12.4	PRV-10	12.4

Weights listed above are for MEDIUM PRESSURE PANEL RADIATOR ASSEMBLIES

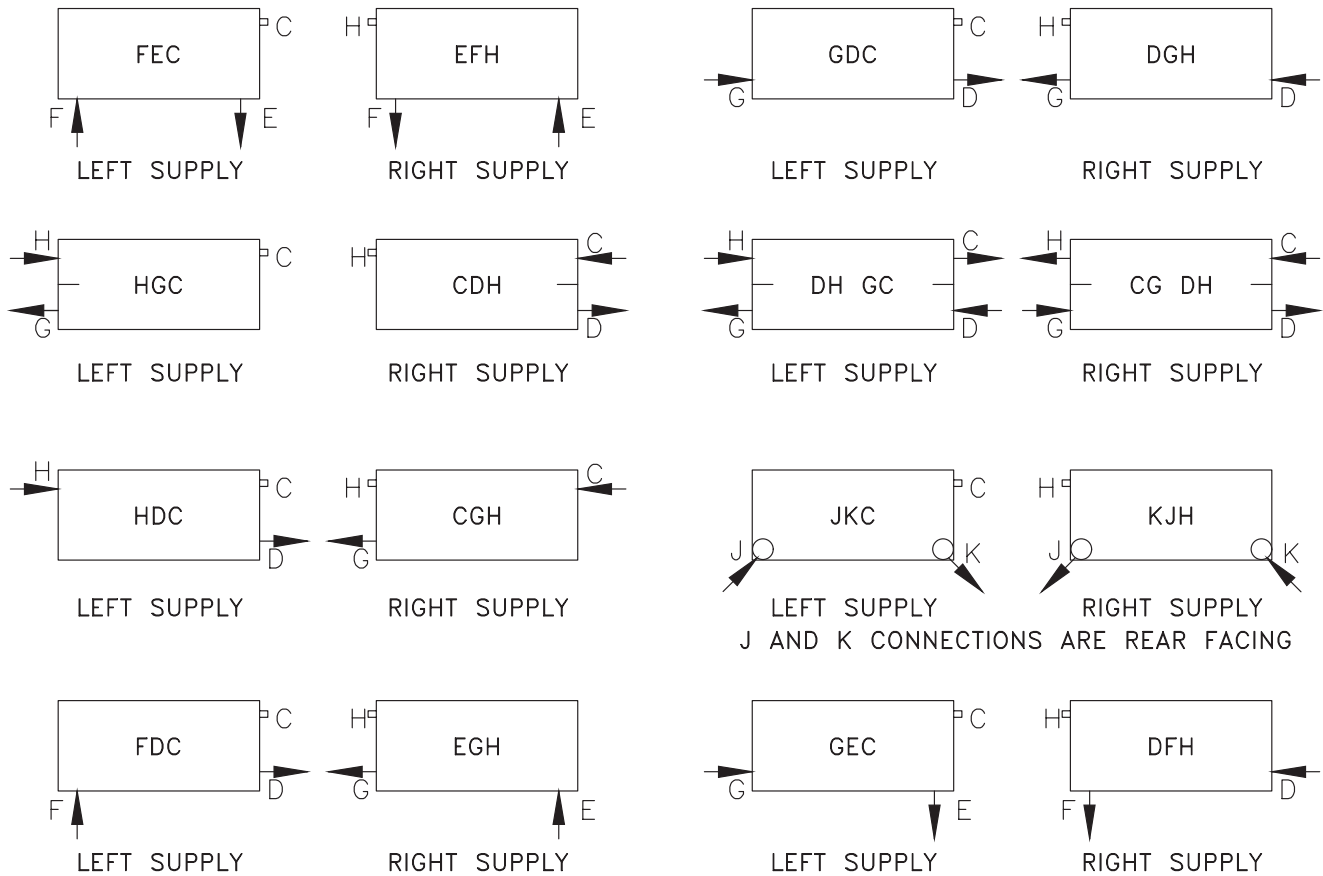
Model	Lbs /Ft	Model	Lbs /Ft	Model	Lbs /Ft	Model	Lbs /Ft	Model	Lbs /Ft	Model	Lbs /Ft	Model	Lbs /Ft
PR-1	1.5	PR2-1	3.0	PRF-1	2.2	PR2F-1	4.1	PR3F-1	6.9	PRC-1	1.5	PRV-1	1.5
PR-2	2.8	PR2-2	5.5	PRF-2	4.0	PR2F-2	7.9	PR3F-2	12.1	PRC-2	2.8	PRV-2	2.8
PR-3	4.0	PR2-3	8.1	PRF-3	5.9	PR2F-3	11.6	PR3F-3	17.6	PRC-3	4.0	PRV-3	4.0
PR-4	5.3	PR2-4	10.6	PRF-4	8.2	PR2F-4	16.0	PR3F-4	24.5	PRC-4	5.3	PRV-4	5.3
PR-5	6.6	PR2-5	13.1	PRF-5	11.4	PR2F-5	19.3	PR3F-5	34.2	PRC-5	6.6	PRV-5	6.6
PR-6	7.8	PR2-6	15.6	PRF-6	13.5	PR2F-6	23.0	PR3F-6	40.4	PRC-6	7.8	PRV-6	7.8
PR-7	9.2	PR2-7	18.4	PRF-7	15.9	PR2F-7	27.0	PR3F-7	47.6	PRC-7	9.2	PRV-7	9.2
PR-8	10.5	PR2-8	20.9	PRF-8	18.9	PR2F-8	31.7	PR3F-8	56.6	PRC-8	10.5	PRV-8	10.5
PR-9	11.7	PR2-9	23.5	PRF-9	20.1	PR2F-9	34.4	PR3F-9	60.4	PRC-9	11.7	PRV-9	11.7
PR-10	13.0	PR2-10	26.0	PRF-10	21.4	PR2F-10	36.9	PR3F-10	64.2	PRC-10	13.0	PRV-10	13.0

Weights listed above are for HIGH PRESSURE PANEL RADIATOR ASSEMBLIES

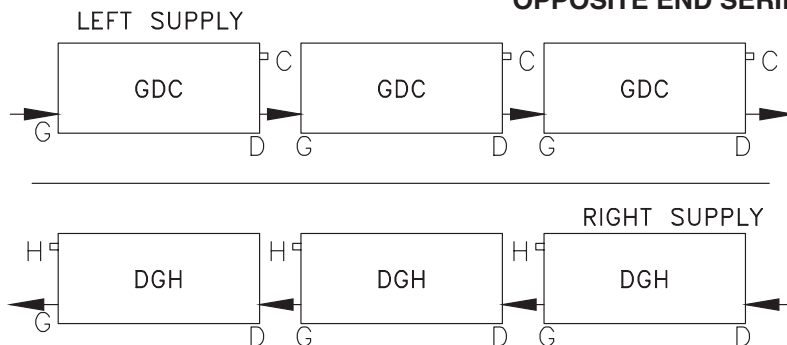
STANDARD PIPING CONNECTION LOCATIONS

MODELS PR, PRF, PRC

PIPING OPTIONS

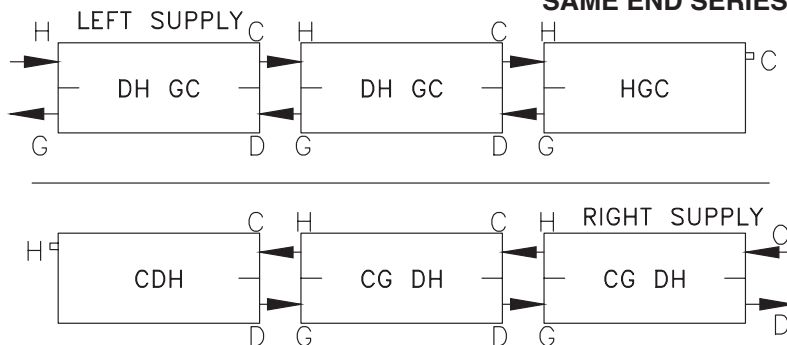


OPPOSITE END SERIES



- NOTES:
- VENT ON EACH PANEL
 - CAN ELIMINATE COSTLY RISERS
 - LOWER PD THAN SAME END SERIES
 - UP TO 7 RADIATORS (100 FT) IN SERIES OPPOSITE END
 - EXPANSION COMPENSATION PIPING TO BE PROVIDED BY OTHERS

SAME END SERIES

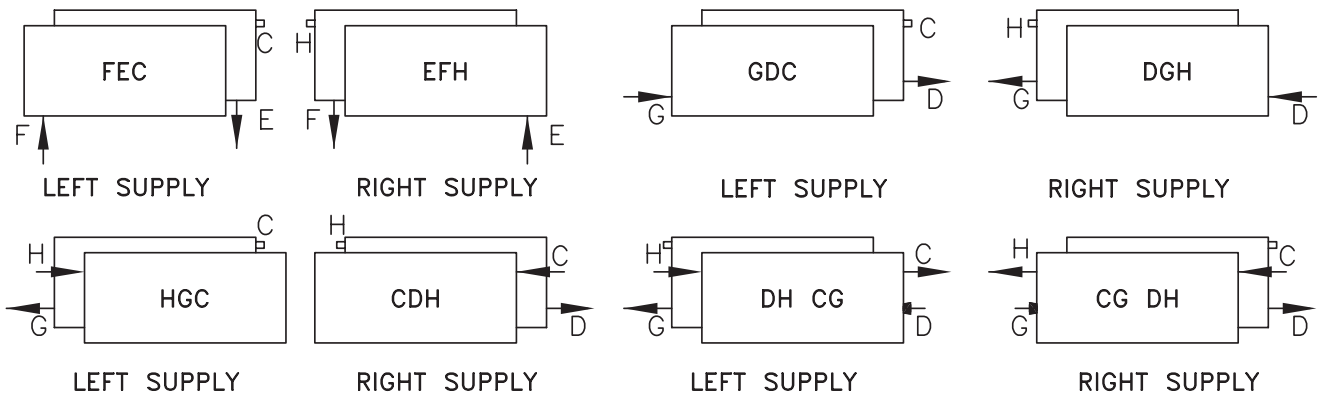


- NOTES:
- SAME AWT OVER THE ENTIRE SAME END SERIES
 - CAN ELIMINATE COSTLY RISERS
 - HIGHER PD THAN OPPOSITE END SERIES
 - NO MORE THAN 3 RADIATORS IN SERIES SAME END
 - EXPANSION COMPENSATION PIPING TO BE PROVIDED BY OTHERS

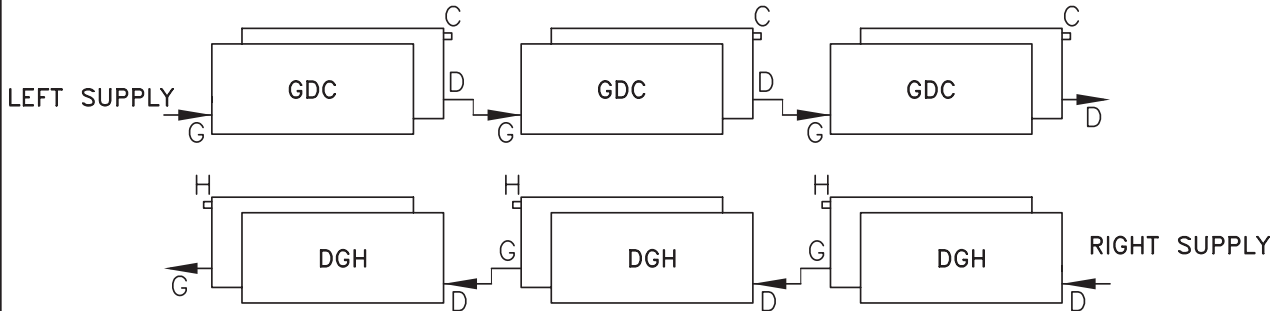
STANDARD PIPING CONNECTION LOCATIONS

MODELS PR2, PR2F, PR3F

PIPING OPTIONS



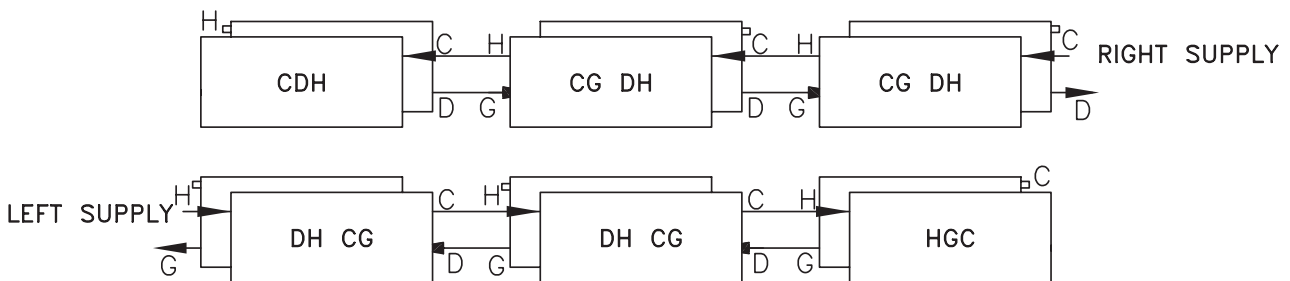
OPPOSITE END SERIES



NOTES:

- VENT ON EACH PANEL
- CAN ELIMINATE COSTLY RISERS
- LOWER PD THAN SAME END SERIES
- UP TO 7 RADIATORS (100 FT) IN SERIES OPPOSITE END
- EXPANSION COMPENSATION PIPING TO BE PROVIDED BY OTHERS

SAME END SERIES



NOTES:

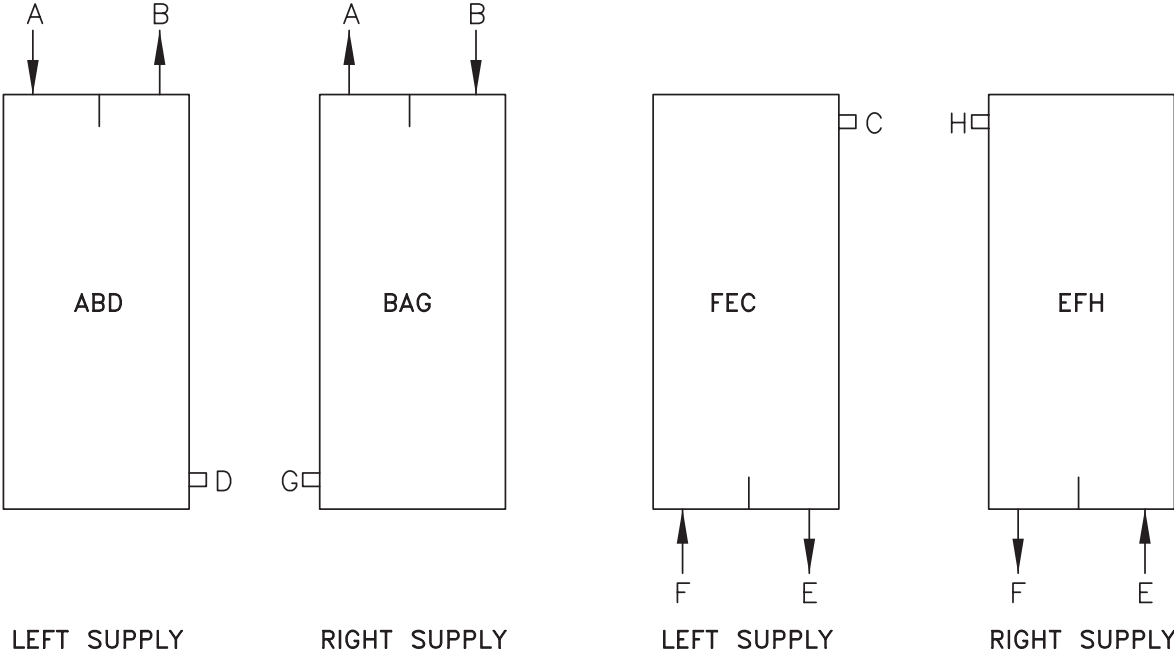
- SAME AWT OVER THE ENTIRE SAME END SERIES
- CAN ELIMINATE COSTLY RISERS
- HIGHER PD THAN OPPOSITE END SERIES
- NO MORE THAN 3 RADIATORS IN SERIES SAME END
- EXPANSION COMPENSATION PIPING TO BE PROVIDED BY OTHERS

CAT-75583C

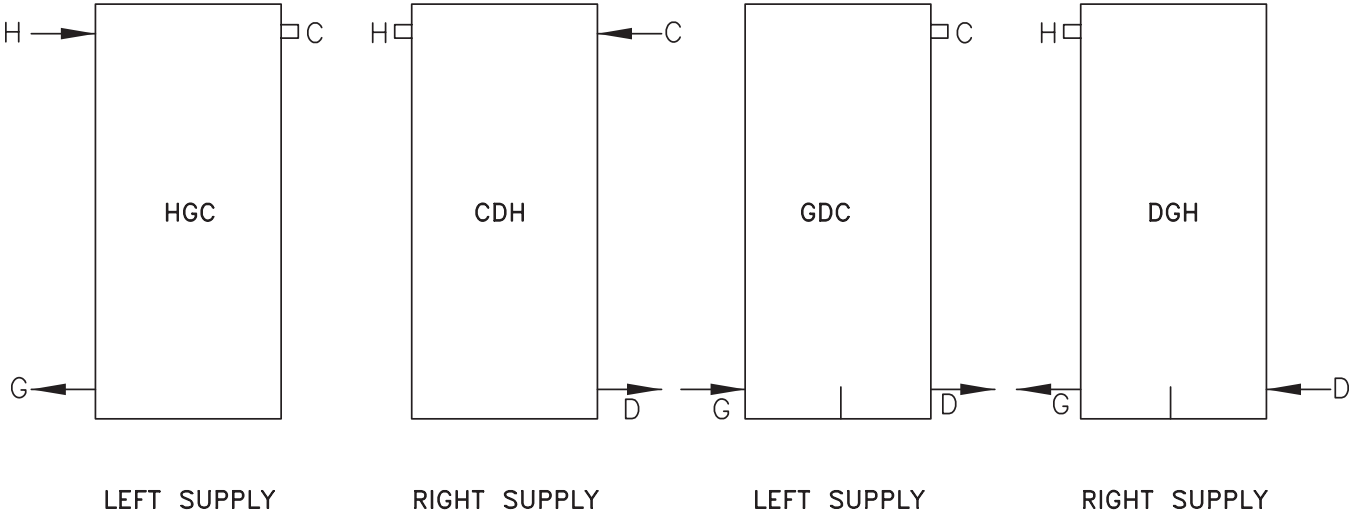
STANDARD PIPING CONNECTION LOCATIONS

MODEL PRV

PIPING OPTIONS



(VENT IS NOT REQUIRED ON UNITS WITH TOP SUPPLY/RETURN, UNITS SUPPLIED WITH DRAIN PLUG,)

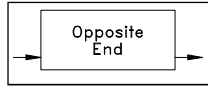


CAT-75581C

PRESSURE DROP: OPPOSITE END

Radiator Pressure Drop - Feet of Head Per Radiator

Models PR, PRF, PRC

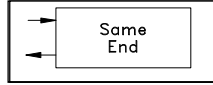


GPM	NUMBER OF TUBES WITH SUPPLY WATER FLOW										PER 1/2" Connection
	1	2	3	4	5	6	7	8	9	10	
LOW PRESSURE TUBE											
0.50	0.21	0.05	0.02	0.01	0.01	0.01	0.00	0.00	0.00	0.00	0.01
0.75	0.45	0.12	0.05	0.03	0.02	0.01	0.01	0.01	0.01	0.01	0.01
1.00	0.79	0.21	0.09	0.05	0.04	0.02	0.02	0.01	0.01	0.01	0.03
1.50	1.72	0.45	0.21	0.12	0.08	0.05	0.04	0.03	0.02	0.02	0.04
2.00	3.00	0.79	0.36	0.21	0.13	0.09	0.07	0.05	0.04	0.04	0.06
2.50	4.61	1.21	0.55	0.32	0.21	0.15	0.11	0.08	0.07	0.05	0.08
3.00	6.56	1.72	0.79	0.45	0.29	0.21	0.15	0.12	0.09	0.08	0.10
3.50	8.83	2.32	1.06	0.61	0.40	0.28	0.21	0.16	0.13	0.10	0.15
4.00	11.42	3.00	1.37	0.79	0.51	0.36	0.27	0.21	0.16	0.13	0.18
4.50	14.34	3.76	1.72	0.99	0.64	0.45	0.34	0.26	0.21	0.17	0.20
5.00	17.57	4.61	2.11	1.21	0.79	0.55	0.41	0.32	0.25	0.21	0.25
5.50	21.12	5.54	2.53	1.45	0.95	0.67	0.49	0.38	0.30	0.25	0.28
6.00	24.98	6.56	3.00	1.72	1.12	0.79	0.58	0.45	0.36	0.29	0.33
6.50	29.15	7.65	3.50	2.01	1.31	0.92	0.68	0.53	0.42	0.34	0.37
7.00	33.64	8.83	4.04	2.32	1.51	1.06	0.79	0.61	0.48	0.40	0.42
7.50	38.43	10.08	4.61	2.65	1.72	1.21	0.90	0.69	0.55	0.45	0.50
8.00	43.52	11.42	5.22	3.00	1.95	1.37	1.02	0.79	0.63	0.51	0.56
MEDIUM PRESSURE TUBE											
0.50	0.46	0.12	0.06	0.03	0.02	0.01	0.01	0.01	0.01	0.01	0.01
0.75	1.00	0.26	0.12	0.07	0.04	0.03	0.02	0.02	0.01	0.01	0.01
1.00	1.75	0.46	0.21	0.12	0.08	0.06	0.04	0.03	0.03	0.02	0.03
1.50	3.83	1.00	0.46	0.26	0.17	0.12	0.09	0.07	0.06	0.04	0.04
2.00	6.67	1.75	0.80	0.46	0.30	0.21	0.16	0.12	0.10	0.08	0.06
2.50	10.26	2.69	1.23	0.71	0.46	0.32	0.24	0.19	0.15	0.12	0.08
3.00	14.59	3.83	1.75	1.00	0.65	0.46	0.34	0.26	0.21	0.17	0.10
3.50	19.65	5.16	2.36	1.35	0.88	0.62	0.46	0.36	0.28	0.23	0.15
4.00	25.42	6.67	3.05	1.75	1.14	0.80	0.59	0.46	0.37	0.30	0.18
4.50	31.91	8.37	3.83	2.20	1.43	1.00	0.75	0.58	0.46	0.37	0.20
5.00	39.10	10.26	4.69	2.69	1.75	1.23	0.91	0.71	0.56	0.37	0.25
5.50	47.00	12.33	5.64	3.24	2.10	1.48	1.10	0.85	0.68	0.55	0.28
6.00	55.60	14.59	6.67	3.83	2.49	1.75	1.30	1.00	0.80	0.65	0.33
6.50	64.88	17.03	7.79	4.47	2.90	2.04	1.52	1.17	0.93	0.76	0.37
7.00	74.86	19.65	8.98	5.16	3.35	2.36	1.75	1.35	1.08	0.88	0.42
7.50	85.52	22.44	10.26	5.89	3.83	2.69	2.00	1.55	1.23	1.00	0.50
8.00	96.87	25.42	11.62	6.67	4.34	3.05	2.27	1.75	1.39	1.14	0.56
HIGH PRESSURE TUBE											
0.50	0.82	0.22	0.10	0.06	0.04	0.03	0.02	0.01	0.01	0.01	0.01
0.75	1.79	0.47	0.22	0.12	0.08	0.06	0.04	0.03	0.03	0.02	0.01
1.00	3.13	0.82	0.38	0.22	0.14	0.10	0.07	0.06	0.05	0.04	0.03
1.50	6.84	1.79	0.82	0.47	0.31	0.22	0.16	0.12	0.10	0.08	0.04
2.00	11.91	3.13	1.43	0.82	0.53	0.38	0.28	0.22	0.17	0.14	0.06
2.50	18.33	4.81	2.20	1.26	0.82	0.58	0.43	0.33	0.26	0.22	0.08
3.00	26.06	6.84	3.13	1.79	1.17	0.82	0.61	0.47	0.38	0.31	0.10
3.50	35.09	9.21	4.21	2.42	1.57	1.10	0.82	0.63	0.51	0.41	0.15
4.00	45.40	11.91	5.45	3.13	2.03	1.43	1.06	0.82	0.65	0.53	0.18
4.50	56.99	14.96	6.84	3.92	2.55	1.79	1.33	1.03	0.82	0.67	0.20
5.00	69.84	18.33	8.38	4.81	3.13	2.20	1.63	1.26	1.01	0.82	0.25
5.50	83.95	22.03	10.07	5.78	3.76	2.64	1.96	1.52	1.21	0.99	0.28
6.00	99.30	26.06	11.91	6.84	4.45	3.13	2.32	1.79	1.43	1.17	0.33
6.50	115.88	30.41	13.91	7.98	5.19	3.65	2.71	2.09	1.67	1.36	0.37
7.00	133.70	35.09	16.04	9.21	5.99	4.21	3.13	2.42	1.93	1.57	0.42
7.50	152.74	40.08	18.33	10.52	6.84	4.81	3.57	2.76	2.20	1.79	0.50
8.00	173.01	45.40	20.76	11.91	7.75	5.45	4.05	3.13	2.49	2.03	0.56

PRESSURE DROP: SAME END

Radiator Pressure Drop - Feet of Head Per Radiator

Models PR, PRF, PRC

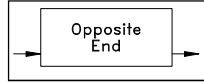


GPM	NUMBER OF TUBES WITH SUPPLY WATER FLOW									PER 1/2" Connection
	1	1	2	2	3	3	4	4	5	
LOW PRESSURE TUBE										
0.50	0.21	0.21	0.05	0.05	0.02	0.02	0.01	0.01	0.01	0.01
0.75	0.45	0.45	0.12	0.12	0.05	0.05	0.03	0.03	0.02	0.01
1.00	0.79	0.79	0.21	0.21	0.09	0.09	0.05	0.05	0.04	0.03
1.50	1.72	1.72	0.45	0.45	0.21	0.21	0.12	0.12	0.08	0.04
2.00	3.00	3.00	0.79	0.79	0.36	0.36	0.21	0.21	0.13	0.06
2.50	4.61	4.61	1.21	1.21	0.55	0.55	0.32	0.32	0.21	0.08
3.00	6.56	6.56	1.72	1.72	0.79	0.79	0.45	0.45	0.29	0.10
3.50	8.83	8.83	2.32	2.32	1.06	1.06	0.61	0.61	0.40	0.15
4.00	11.42	11.42	3.00	3.00	1.37	1.37	0.79	0.79	0.51	0.18
4.50	14.34	14.34	3.76	3.76	1.72	1.72	0.99	0.99	0.64	0.20
5.00	17.57	17.57	4.61	4.61	2.11	2.11	1.21	1.21	0.79	0.25
5.50	21.12	21.12	5.54	5.54	2.53	2.53	1.45	1.45	0.95	0.28
6.00	24.98	24.98	6.56	6.56	3.00	3.00	1.72	1.72	1.12	0.33
6.50	29.15	29.15	7.65	7.65	3.50	3.50	2.01	2.01	1.31	0.37
7.00	33.64	33.64	8.83	8.83	4.04	4.04	2.32	2.32	1.51	0.42
7.50	38.43	38.43	10.08	10.08	4.61	4.61	2.65	2.65	1.72	0.50
8.00	43.52	43.52	11.42	11.42	5.22	5.22	3.00	3.00	1.95	0.56
MEDIUM PRESSURE TUBE										
0.50	0.46	0.46	0.12	0.12	0.06	0.06	0.03	0.03	0.02	0.01
0.75	1.00	1.00	0.26	0.26	0.12	0.12	0.07	0.07	0.04	0.01
1.00	1.75	1.75	0.46	0.46	0.21	0.21	0.12	0.12	0.08	0.03
1.50	3.83	3.83	1.00	1.00	0.46	0.46	0.26	0.26	0.17	0.04
2.00	6.67	6.67	1.75	1.75	0.80	0.80	0.46	0.46	0.30	0.06
2.50	10.26	10.26	2.69	2.69	1.23	1.23	0.71	0.71	0.46	0.08
3.00	14.59	14.59	3.83	3.83	1.75	1.75	1.00	1.00	0.65	0.10
3.50	19.65	19.65	5.16	5.16	2.36	2.36	1.35	1.35	0.88	0.15
4.00	25.42	25.42	6.67	6.67	3.05	3.05	1.75	1.75	1.14	0.18
4.50	31.91	31.91	8.37	8.37	3.83	3.83	2.20	2.20	1.43	0.20
5.00	39.10	39.10	10.26	10.26	4.69	4.69	2.69	2.69	1.75	0.25
5.50	47.00	47.00	12.33	12.33	5.64	5.64	3.24	3.24	2.10	0.28
6.00	55.60	55.60	14.59	14.59	6.67	6.67	3.83	3.83	2.49	0.33
6.50	64.88	64.88	17.03	17.03	7.79	7.79	4.47	4.47	2.90	0.37
7.00	74.86	74.86	19.65	19.65	8.98	8.98	5.16	5.16	3.35	0.42
7.50	85.52	85.52	22.44	22.44	10.26	10.26	5.89	5.89	3.83	0.50
8.00	96.87	96.87	25.42	25.42	11.62	11.62	6.67	6.67	4.38	0.56
HIGH PRESSURE TUBE										
0.50	0.82	0.82	0.22	0.22	0.10	0.10	0.06	0.06	0.04	0.01
0.75	1.79	1.79	0.47	0.47	0.22	0.22	0.12	0.12	0.08	0.01
1.00	3.13	3.13	0.82	0.82	0.38	0.38	0.22	0.22	0.14	0.03
1.50	6.84	6.84	1.79	1.79	0.82	0.82	0.47	0.47	0.31	0.04
2.00	11.91	11.91	3.13	3.13	1.43	1.43	0.82	0.82	0.53	0.06
2.50	18.33	18.33	4.81	4.81	2.20	2.20	1.26	1.26	0.82	0.08
3.00	26.06	26.06	6.84	6.84	3.13	3.13	1.79	1.79	1.17	0.10
3.50	35.09	35.09	9.21	9.21	4.21	4.21	2.42	2.42	1.57	0.15
4.00	45.40	45.40	11.91	11.91	5.45	5.45	3.13	3.13	2.03	0.18
4.50	56.99	56.99	14.96	14.96	6.84	6.84	3.92	3.92	2.55	0.20
5.00	69.84	69.84	18.33	18.33	8.38	8.38	4.81	4.81	3.13	0.25
5.50	83.95	83.95	22.03	22.03	10.07	10.07	5.78	5.78	3.76	0.28
6.00	99.30	99.30	26.06	26.06	11.91	11.91	6.84	6.84	4.45	0.33
6.50	115.88	115.88	30.41	30.41	13.91	13.91	7.98	7.98	5.19	0.37
7.00	133.70	133.70	35.09	35.09	16.04	16.04	9.21	9.21	5.99	0.42
7.50	152.74	152.74	40.08	40.08	18.33	18.33	10.52	10.52	6.84	0.50
8.00	173.01	173.01	45.40	45.40	20.76	20.76	11.91	11.91	7.75	0.56

PRESSURE DROP: OPPOSITE END

Radiator Pressure Drop - Feet of Head Per Radiator

Models PR2, PR2F, PR3F



GPM	NUMBER OF TUBES WITH SUPPLY WATER FLOW										PER 1/2" Connection
	2	4	6	8	10	12	14	16	18	20	

LOW PRESSURE TUBE

0.50	0.05	0.01	0.01	0.00	0.00	0.00	0.00	0.00	0.00	0.00	0.01
0.75	0.12	0.03	0.01	0.01	0.01	0.00	0.00	0.00	0.00	0.00	0.01
1.00	0.21	0.05	0.02	0.01	0.01	0.01	0.00	0.00	0.00	0.00	0.03
1.50	0.45	0.12	0.05	0.03	0.02	0.01	0.01	0.01	0.01	0.01	0.04
2.00	0.79	0.21	0.09	0.05	0.04	0.02	0.02	0.01	0.01	0.01	0.06
2.50	1.21	0.32	0.15	0.08	0.05	0.04	0.03	0.02	0.02	0.01	0.08
3.00	1.72	0.45	0.21	0.12	0.08	0.05	0.04	0.03	0.02	0.02	0.10
3.50	2.32	0.61	0.28	0.16	0.10	0.07	0.05	0.04	0.03	0.03	0.15
4.00	3.00	0.79	0.36	0.21	0.13	0.09	0.07	0.05	0.04	0.04	0.18
4.50	3.76	0.99	0.45	0.26	0.17	0.12	0.09	0.07	0.05	0.04	0.20
5.00	4.61	1.21	0.55	0.32	0.21	0.15	0.11	0.08	0.07	0.05	0.25
5.50	5.54	1.45	0.67	0.38	0.25	0.17	0.13	0.10	0.08	0.07	0.28
6.00	6.56	1.72	0.79	0.45	0.29	0.21	0.15	0.12	0.09	0.08	0.33
6.50	7.65	2.01	0.92	0.53	0.34	0.24	0.18	0.14	0.11	0.09	0.37
7.00	8.83	2.32	1.06	0.61	0.40	0.28	0.21	0.16	0.13	0.10	0.42
7.50	10.08	2.65	1.21	0.69	0.45	0.32	0.24	0.18	0.15	0.12	0.50
8.00	11.42	3.00	1.37	0.79	0.51	0.36	0.27	0.21	0.16	0.13	0.56

MEDIUM PRESSURE TUBE

0.50	0.12	0.03	0.01	0.01	0.01	0.00	0.00	0.00	0.00	0.00	0.01
0.75	0.26	0.07	0.03	0.02	0.01	0.01	0.01	0.00	0.00	0.00	0.01
1.00	0.46	0.12	0.06	0.03	0.02	0.01	0.01	0.01	0.01	0.01	0.03
1.50	1.00	0.26	0.12	0.07	0.04	0.03	0.02	0.02	0.01	0.01	0.04
2.00	1.75	0.46	0.21	0.12	0.08	0.06	0.04	0.03	0.03	0.02	0.06
2.50	2.69	0.71	0.32	0.19	0.12	0.08	0.06	0.05	0.04	0.03	0.08
3.00	3.83	1.00	0.46	0.26	0.17	0.12	0.09	0.07	0.06	0.04	0.10
3.50	5.16	1.35	0.62	0.36	0.23	0.16	0.12	0.09	0.07	0.06	0.15
4.00	6.67	1.75	0.80	0.46	0.30	0.21	0.16	0.12	0.10	0.08	0.18
4.50	8.37	2.20	1.00	0.58	0.37	0.26	0.20	0.15	0.12	0.10	0.20
5.00	10.26	2.69	1.23	0.71	0.46	0.32	0.24	0.19	0.15	0.12	0.25
5.50	12.33	3.24	1.48	0.85	0.55	0.39	0.29	0.22	0.18	0.14	0.28
6.00	14.59	3.83	1.75	1.00	0.65	0.46	0.34	0.26	0.21	0.17	0.33
6.50	17.03	4.47	2.04	1.17	0.76	0.54	0.40	0.31	0.25	0.20	0.37
7.00	19.65	5.16	2.36	1.35	0.88	0.62	0.46	0.36	0.28	0.23	0.42
7.50	22.44	5.89	2.69	1.55	1.00	0.71	0.52	0.41	0.32	0.26	0.50
8.00	25.42	6.67	3.05	1.75	1.14	0.80	0.59	0.46	0.37	0.30	0.56

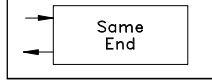
HIGH PRESSURE TUBE

0.50	0.22	0.06	0.03	0.01	0.01	0.01	0.01	0.00	0.00	0.00	0.01
0.75	0.47	0.12	0.06	0.03	0.02	0.01	0.01	0.01	0.01	0.01	0.01
1.00	0.82	0.22	0.10	0.06	0.04	0.03	0.02	0.01	0.01	0.01	0.03
1.50	1.79	0.47	0.22	0.12	0.08	0.06	0.04	0.03	0.03	0.02	0.04
2.00	3.13	0.82	0.38	0.22	0.14	0.10	0.07	0.06	0.05	0.04	0.06
2.50	4.81	1.26	0.58	0.33	0.22	0.15	0.11	0.09	0.07	0.06	0.08
3.00	6.84	1.79	0.82	0.47	0.31	0.22	0.16	0.12	0.10	0.08	0.10
3.50	9.21	2.42	1.10	0.63	0.41	0.29	0.22	0.17	0.13	0.11	0.15
4.00	11.91	3.13	1.43	0.82	0.53	0.38	0.28	0.22	0.17	0.14	0.18
4.50	14.96	3.92	1.79	1.03	0.67	0.47	0.35	0.27	0.22	0.18	0.20
5.00	18.33	4.81	2.20	1.26	0.82	0.58	0.43	0.33	0.26	0.22	0.25
5.50	22.03	5.78	2.64	1.52	0.99	0.69	0.52	0.40	0.32	0.26	0.28
6.00	26.06	6.84	3.13	1.79	1.17	0.82	0.61	0.47	0.38	0.31	0.33
6.50	30.41	7.98	3.65	2.09	1.36	0.96	0.71	0.55	0.44	0.36	0.37
7.00	35.09	9.21	4.21	2.42	1.57	1.10	0.82	0.63	0.51	0.41	0.42
7.50	40.08	10.52	4.81	2.76	1.79	1.26	0.94	0.72	0.58	0.47	0.50
8.00	45.40	11.91	5.45	3.13	2.03	1.43	1.06	0.82	0.65	0.53	0.56

PRESSURE DROP: SAME END

Radiator Pressure Drop - Feet of Head Per Radiator

Models PR2, PR2F, PR3F



GPM	NUMBER OF TUBES WITH SUPPLY WATER FLOW										PER 1/2" Connection
	1	2	3	4	5	6	7	8	9	10	

LOW PRESSURE TUBE

0.50	0.21	0.05	0.02	0.01	0.01	0.01	0.01	0.00	0.00	0.00	0.01
0.75	0.45	0.12	0.05	0.03	0.02	0.01	0.01	0.01	0.01	0.01	0.01
1.00	0.79	0.21	0.09	0.05	0.04	0.02	0.02	0.01	0.01	0.01	0.03
1.50	1.72	0.45	0.21	0.12	0.08	0.05	0.05	0.03	0.03	0.02	0.04
2.00	3.00	0.79	0.36	0.21	0.13	0.09	0.09	0.05	0.05	0.04	0.06
2.50	4.61	1.21	0.55	0.32	0.21	0.15	0.15	0.08	0.08	0.05	0.08
3.00	6.56	1.72	0.79	0.45	0.29	0.21	0.21	0.12	0.12	0.08	0.10
3.50	8.83	2.32	1.06	0.61	0.40	0.28	0.28	0.16	0.16	0.10	0.15
4.00	11.42	3.00	1.37	0.79	0.51	0.36	0.36	0.21	0.21	0.13	0.18
4.50	14.34	3.76	1.72	0.99	0.64	0.45	0.45	0.26	0.26	0.17	0.20
5.00	17.57	4.61	2.11	1.21	0.79	0.55	0.55	0.32	0.32	0.21	0.25
5.50	21.12	5.54	2.53	1.45	0.95	0.67	0.67	0.38	0.38	0.25	0.28
6.00	24.98	6.56	3.00	1.72	1.12	0.79	0.79	0.45	0.45	0.29	0.33
6.50	29.15	7.65	3.50	2.01	1.31	0.92	0.92	0.53	0.53	0.34	0.37
7.00	33.64	8.83	4.04	2.32	1.51	1.06	1.06	0.61	0.61	0.40	0.42
7.50	38.43	10.08	4.61	2.65	1.72	1.21	1.21	0.69	0.69	0.45	0.50
8.00	43.52	11.42	5.22	3.00	1.95	1.37	1.37	0.79	0.79	0.51	0.56

MEDIUM PRESSURE TUBE

0.50	0.46	0.12	0.06	0.03	0.02	0.01	0.01	0.01	0.01	0.01	0.01
0.75	1.00	0.26	0.12	0.07	0.04	0.03	0.03	0.02	0.02	0.01	0.01
1.00	1.75	0.46	0.21	0.12	0.08	0.06	0.06	0.03	0.03	0.02	0.03
1.50	3.83	1.00	0.46	0.26	0.17	0.12	0.12	0.07	0.07	0.04	0.04
2.00	6.67	1.75	0.80	0.46	0.30	0.21	0.21	0.12	0.12	0.08	0.06
2.50	10.26	2.69	1.23	0.71	0.46	0.32	0.32	0.19	0.19	0.12	0.08
3.00	14.59	3.83	1.75	1.00	0.65	0.46	0.46	0.26	0.26	0.17	0.10
3.50	19.65	5.16	2.36	1.35	0.88	0.62	0.62	0.36	0.36	0.23	0.15
4.00	25.42	6.67	3.05	1.75	1.14	0.80	0.80	0.46	0.46	0.30	0.18
4.50	31.91	8.37	3.83	2.20	1.43	1.00	1.00	0.58	0.58	0.37	0.20
5.00	39.10	10.26	4.69	2.69	1.75	1.23	1.23	0.71	0.71	0.46	0.25
5.50	47.00	12.33	5.64	3.24	2.10	1.48	1.48	0.85	0.85	0.55	0.28
6.00	55.60	14.59	6.67	3.83	2.49	1.75	1.75	1.00	1.00	0.65	0.33
6.50	64.88	17.03	7.79	4.47	2.90	2.04	2.04	1.17	1.17	0.76	0.37
7.00	74.86	19.65	8.98	5.16	3.35	2.36	2.36	1.35	1.35	0.88	0.42
7.50	85.52	22.44	10.26	5.89	3.83	2.69	2.69	1.55	1.55	1.00	0.50
8.00	96.87	25.42	11.62	6.67	4.34	3.05	3.05	1.75	1.75	1.14	0.56

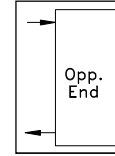
HIGH PRESSURE TUBE

0.50	0.82	0.22	0.10	0.06	0.04	0.03	0.03	0.01	0.01	0.01	0.01
0.75	1.79	0.47	0.22	0.12	0.08	0.06	0.06	0.03	0.03	0.02	0.01
1.00	3.13	0.82	0.38	0.22	0.14	0.10	0.10	0.06	0.06	0.04	0.03
1.50	6.84	1.79	0.82	0.47	0.31	0.22	0.22	0.12	0.12	0.08	0.04
2.00	11.91	3.13	1.43	0.82	0.53	0.38	0.38	0.22	0.22	0.14	0.06
2.50	18.33	4.81	2.20	1.26	0.82	0.58	0.58	0.33	0.33	0.22	0.08
3.00	26.06	6.84	3.13	1.79	1.17	0.82	0.82	0.47	0.47	0.31	0.10
3.50	35.09	9.21	4.21	2.42	1.57	1.10	1.10	0.63	0.63	0.41	0.15
4.00	45.40	11.91	5.45	3.13	2.03	1.43	1.43	0.82	0.82	0.53	0.18
4.50	56.99	14.96	6.84	3.92	2.55	1.79	1.79	1.03	1.03	0.67	0.20
5.00	69.84	18.33	8.38	4.81	3.13	2.20	2.20	1.26	1.26	0.82	0.25
5.50	83.95	22.03	10.07	5.78	3.76	2.64	2.64	1.52	1.52	0.99	0.28
6.00	99.30	26.06	11.91	6.84	4.45	3.13	3.13	1.79	1.79	1.17	0.33
6.50	115.88	30.41	13.91	7.98	5.19	3.65	3.65	2.09	2.09	1.36	0.37
7.00	133.70	35.09	16.04	9.21	5.99	4.21	4.21	2.42	2.42	1.57	0.42
7.50	152.74	40.08	18.33	10.52	6.84	4.81	4.81	2.76	2.76	1.79	0.50
8.00	173.01	45.40	20.76	11.91	7.75	5.45	5.45	3.13	3.13	2.03	0.56

PRESSURE DROP: OPPOSITE END

Radiator Pressure Drop - Feet of Head Per Radiator

Model PRV

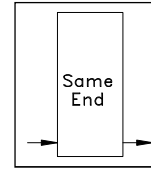


GPM	NUMBER OF TUBES WITH SUPPLY WATER FLOW										PER 1/2" Connection
	1	2	3	4	5	6	7	8	9	10	
LOW PRESSURE TUBE											
0.50	0.21	0.05	0.02	0.01	0.01	0.01	0.00	0.00	0.00	0.00	0.01
0.75	0.45	0.12	0.05	0.03	0.02	0.01	0.01	0.01	0.01	0.01	0.01
1.00	0.79	0.21	0.09	0.05	0.04	0.02	0.02	0.01	0.01	0.01	0.03
1.50	1.72	0.45	0.21	0.12	0.08	0.05	0.04	0.03	0.02	0.02	0.04
2.00	3.00	0.79	0.36	0.21	0.13	0.09	0.07	0.05	0.04	0.04	0.06
2.50	4.61	1.21	0.55	0.32	0.21	0.15	0.11	0.08	0.07	0.05	0.08
3.00	6.56	1.72	0.79	0.45	0.29	0.21	0.15	0.12	0.09	0.08	0.10
3.50	8.83	2.32	1.06	0.61	0.40	0.28	0.21	0.16	0.13	0.10	0.15
4.00	11.42	3.00	1.37	0.79	0.51	0.36	0.27	0.21	0.16	0.13	0.18
4.50	14.34	3.76	1.72	0.99	0.64	0.45	0.34	0.26	0.21	0.17	0.20
5.00	17.57	4.61	2.11	1.21	0.79	0.55	0.41	0.32	0.25	0.21	0.25
5.50	21.12	5.54	2.53	1.45	0.95	0.67	0.49	0.38	0.30	0.25	0.28
6.00	24.98	6.56	3.00	1.72	1.12	0.79	0.58	0.45	0.36	0.29	0.33
6.50	29.15	7.65	3.50	2.01	1.31	0.92	0.68	0.53	0.42	0.34	0.37
7.00	33.64	8.83	4.04	2.32	1.51	1.06	0.79	0.61	0.48	0.40	0.42
7.50	38.43	10.08	4.61	2.65	1.72	1.21	0.90	0.69	0.55	0.45	0.50
8.00	43.52	11.42	5.22	3.00	1.95	1.37	1.02	0.79	0.63	0.51	0.56
MEDIUM PRESSURE TUBE											
0.50	0.46	0.12	0.06	0.03	0.02	0.01	0.01	0.01	0.01	0.01	0.01
0.75	1.00	0.26	0.12	0.07	0.04	0.03	0.02	0.02	0.01	0.01	0.01
1.00	1.75	0.46	0.21	0.12	0.08	0.06	0.04	0.03	0.03	0.02	0.03
1.50	3.83	1.00	0.46	0.26	0.17	0.12	0.09	0.07	0.06	0.04	0.04
2.00	6.67	1.75	0.80	0.46	0.30	0.21	0.16	0.12	0.10	0.08	0.06
2.50	10.26	2.69	1.23	0.71	0.46	0.32	0.24	0.19	0.15	0.12	0.08
3.00	14.59	3.83	1.75	1.00	0.65	0.46	0.34	0.26	0.21	0.17	0.10
3.50	19.65	5.16	2.36	1.35	0.88	0.62	0.46	0.36	0.28	0.23	0.15
4.00	25.42	6.67	3.05	1.75	1.14	0.80	0.59	0.46	0.37	0.30	0.18
4.50	31.91	8.37	3.83	2.20	1.43	1.00	0.75	0.58	0.46	0.37	0.20
5.00	39.10	10.26	4.69	2.69	1.75	1.23	0.91	0.71	0.56	0.46	0.25
5.50	47.00	12.33	5.64	3.24	2.10	1.48	1.10	0.85	0.68	0.55	0.28
6.00	55.60	14.59	6.67	3.83	2.49	1.75	1.30	1.00	0.80	0.65	0.33
6.50	64.88	17.03	7.79	4.47	2.90	2.04	1.52	1.17	0.93	0.76	0.37
7.00	74.86	19.65	8.98	5.16	3.35	2.36	1.75	1.35	1.08	0.88	0.42
7.50	85.52	22.44	10.26	5.89	3.83	2.69	2.00	1.55	1.23	1.00	0.50
8.00	96.87	25.42	11.62	6.67	4.34	3.05	2.27	1.75	1.39	1.14	0.56
HIGH PRESSURE TUBE											
0.50	0.82	0.22	0.10	0.06	0.04	0.03	0.02	0.01	0.01	0.01	0.01
0.75	1.79	0.47	0.22	0.12	0.08	0.06	0.04	0.03	0.03	0.02	0.01
1.00	3.13	0.82	0.38	0.22	0.14	0.10	0.07	0.06	0.05	0.04	0.03
1.50	6.84	1.79	0.82	0.47	0.31	0.22	0.16	0.12	0.10	0.08	0.04
2.00	11.91	3.13	1.43	0.82	0.53	0.38	0.28	0.22	0.17	0.14	0.06
2.50	18.33	4.81	2.20	1.26	0.82	0.58	0.43	0.33	0.26	0.22	0.08
3.00	26.06	6.84	3.13	1.79	1.17	0.82	0.61	0.47	0.38	0.31	0.10
3.50	35.09	9.21	4.21	2.42	1.57	1.10	0.82	0.63	0.51	0.41	0.15
4.00	45.40	11.91	5.45	3.13	2.03	1.43	1.06	0.82	0.65	0.53	0.18
4.50	56.99	14.96	6.84	3.92	2.55	1.79	1.33	1.03	0.82	0.67	0.20
5.00	69.84	18.33	8.38	4.81	3.13	2.20	1.63	1.26	1.01	0.82	0.25
5.50	83.95	22.03	10.07	5.78	3.76	2.64	1.96	1.52	1.21	0.99	0.28
6.00	99.30	26.06	11.91	6.84	4.45	3.13	2.32	1.79	1.43	1.17	0.33
6.50	115.88	30.41	13.91	7.98	5.19	3.65	2.71	2.09	1.67	1.36	0.37
7.00	133.70	35.09	16.04	9.21	5.99	4.21	3.13	2.42	1.93	1.57	0.42
7.50	152.74	40.08	18.33	10.52	6.84	4.81	3.57	2.76	2.20	1.79	0.50
8.00	173.01	45.40	20.76	11.91	7.75	5.45	4.05	3.13	2.49	2.03	0.56

PRESSURE DROP: SAME END

Radiator Pressure Drop - Feet of Head Per Radiator

Model PRV



GPM	NUMBER OF TUBES WITH SUPPLY WATER FLOW									PER 1/2" Connection
	1	1	1	2	2	2	3	3	3	

LOW PRESSURE TUBE

0.50	0.21	0.21	0.21	0.05	0.05	0.05	0.02	0.02	0.02	0.01
0.75	0.45	0.45	0.45	0.12	0.12	0.12	0.05	0.05	0.05	0.01
1.00	0.79	0.79	0.79	0.21	0.21	0.21	0.09	0.09	0.09	0.03
1.50	1.72	1.72	1.72	0.45	0.45	0.45	0.21	0.21	0.21	0.04
2.00	3.00	3.00	3.00	0.79	0.79	0.79	0.36	0.36	0.36	0.06
2.50	4.61	4.61	4.61	1.21	1.21	1.21	0.55	0.55	0.55	0.08
3.00	6.56	6.56	6.56	1.72	1.72	1.72	0.79	0.79	0.79	0.10
3.50	8.83	8.83	8.83	2.32	2.32	2.32	1.06	1.06	1.06	0.15
4.00	11.42	11.42	11.42	3.00	3.00	3.00	1.37	1.37	1.37	0.18
4.50	14.34	14.34	14.34	3.76	3.76	3.76	1.72	1.72	1.72	0.20
5.00	17.57	17.57	17.57	4.61	4.61	4.61	2.11	2.11	2.11	0.25
5.50	21.12	21.12	21.12	5.54	5.54	5.54	2.53	2.53	2.53	0.28
6.00	24.98	24.98	24.98	6.56	6.56	6.56	3.00	3.00	3.00	0.33
6.50	29.15	29.15	29.15	7.65	7.65	7.65	3.50	3.50	3.50	0.37
7.00	33.64	33.64	33.64	8.83	8.83	8.83	4.04	4.04	4.04	0.42
7.50	38.43	38.43	38.43	10.08	10.08	10.08	4.61	4.61	4.61	0.50
8.00	43.52	43.52	43.52	11.42	11.42	11.42	5.22	5.22	5.22	0.56

MEDIUM PRESSURE TUBE

0.50	0.46	0.46	0.46	0.12	0.12	0.12	0.06	0.06	0.06	0.01
0.75	1.00	1.00	1.00	0.26	0.26	0.26	0.12	0.12	0.12	0.01
1.00	1.75	1.75	1.75	0.46	0.46	0.46	0.21	0.21	0.21	0.03
1.50	3.83	3.83	3.83	1.00	1.00	1.00	0.46	0.46	0.46	0.04
2.00	6.67	6.67	6.67	1.75	1.75	1.75	0.80	0.80	0.80	0.06
2.50	10.26	10.26	10.26	2.69	2.69	2.69	1.23	1.23	1.23	0.08
3.00	14.59	14.59	14.59	3.83	3.83	3.83	1.75	1.75	1.75	0.10
3.50	19.65	19.65	19.65	5.16	5.16	5.16	2.36	2.36	2.36	0.15
4.00	25.42	25.42	25.42	6.67	6.67	6.67	3.05	3.05	3.05	0.18
4.50	31.91	31.91	31.91	8.37	8.37	8.37	3.83	3.83	3.83	0.20
5.00	39.10	39.10	39.10	10.26	10.26	10.26	4.69	4.69	4.69	0.25
5.50	47.00	47.00	47.00	12.33	12.33	12.33	5.64	5.64	5.64	0.28
6.00	55.60	55.60	55.60	14.59	14.59	14.59	6.67	6.67	6.67	0.33
6.50	64.88	64.88	64.88	17.03	17.03	17.03	7.79	7.79	7.79	0.37
7.00	74.86	74.86	74.86	19.65	19.65	19.65	8.98	8.98	8.98	0.42
7.50	85.52	85.52	85.52	22.44	22.44	22.44	10.26	10.26	10.26	0.50
8.00	96.87	96.87	96.87	25.42	25.42	25.42	11.62	11.62	11.62	0.56

HIGH PRESSURE TUBE

0.50	0.82	0.82	0.82	0.22	0.22	0.22	0.10	0.10	0.10	0.01
0.75	1.79	1.79	1.79	0.47	0.47	0.47	0.22	0.22	0.22	0.01
1.00	3.13	3.13	3.13	0.82	0.82	0.82	0.38	0.38	0.38	0.03
1.50	6.84	6.84	6.84	1.79	1.79	1.79	0.82	0.82	0.82	0.04
2.00	11.91	11.91	11.91	3.13	3.13	3.13	1.43	1.43	1.43	0.06
2.50	18.33	18.33	18.33	4.81	4.81	4.81	2.20	2.20	2.20	0.08
3.00	26.06	26.06	26.06	6.84	6.84	6.84	3.13	3.13	3.13	0.10
3.50	35.09	35.09	35.09	9.21	9.21	9.21	4.21	4.21	4.21	0.15
4.00	45.40	45.40	45.40	11.91	11.91	11.91	5.45	5.45	5.45	0.18
4.50	56.99	56.99	56.99	14.96	14.96	14.96	6.84	6.84	6.84	0.20
5.00	69.84	69.84	69.84	18.33	18.33	18.33	8.38	8.38	8.38	0.25
5.50	83.95	83.95	83.95	22.03	22.03	22.03	10.07	10.07	10.07	0.28
6.00	99.30	99.30	99.30	26.06	26.06	26.06	11.91	11.91	11.91	0.33
6.50	115.88	115.88	115.88	30.41	30.41	30.41	13.91	13.91	13.91	0.37
7.00	133.70	133.70	133.70	35.09	35.09	35.09	16.04	16.04	16.04	0.42
7.50	152.74	152.74	152.74	40.08	40.08	40.08	18.33	18.33	18.33	0.50
8.00	173.01	173.01	173.01	45.40	45.40	45.40	20.76	20.76	20.76	0.56