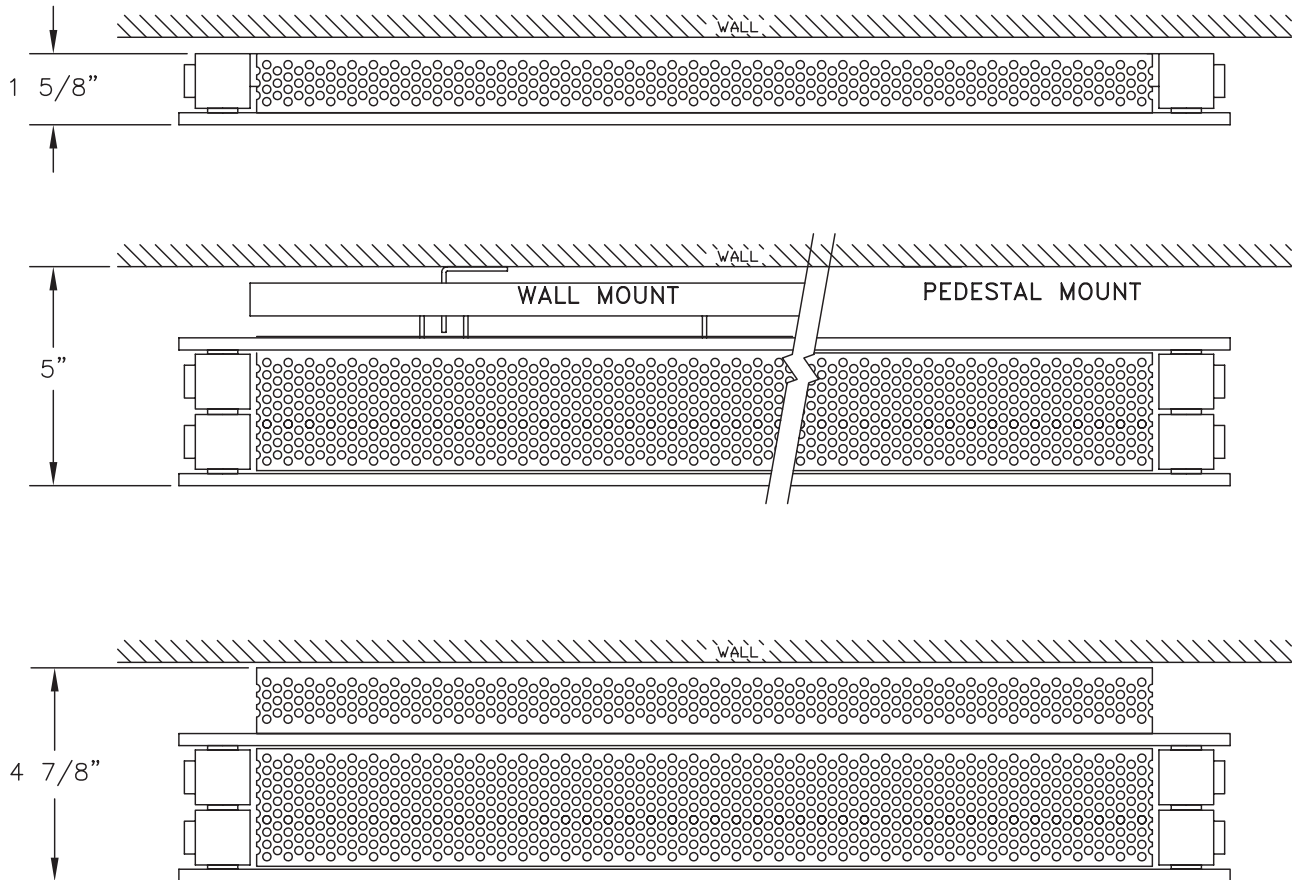


PANEL RADIATOR

Standard Accessories Submittal

PRA-2

PERFORATED GRILLE OPTIONAL ACCESSORY



THE 16GA GRILLE WITH 3/16" DIAMETER HOLES ON 1/4" STAGGERED CENTERLINES PROVIDES A PENCIL PROOF FLAT TOP TO ANY STANDARD PANEL. THIS ALLOWS FOR A MORE CONTINUOUS LOOK AND PREVENTS UNWANTED BUILD UP BETWEEN THE FINS. THE GRILLE IS PAINTED AND FINISHED WITH POLYESTER EPOXY POWDER TO MATCH THE RADIATOR. ADDING THE PERFORATED GRILLE MAY REDUCE THE OUTPUT OF SOME MODELS.

CAT-75579A



STERLING

COMMERCIAL HYDRONIC PRODUCTS

260 North Elm St., Westfield, MA 01085

(413) 564-5535 Fax: (413) 562-8437

www.sterlingheat.com

PROJECT: _____ DATE: _____

LOCATION: _____

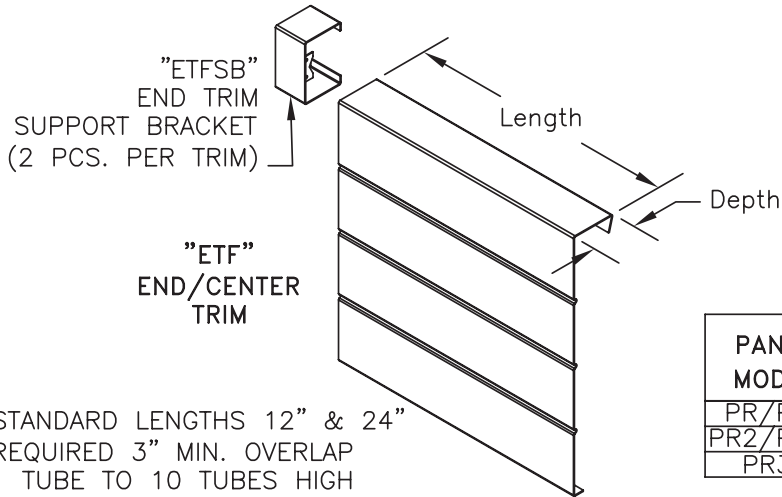
ARCHITECT: _____

ENGINEER: _____

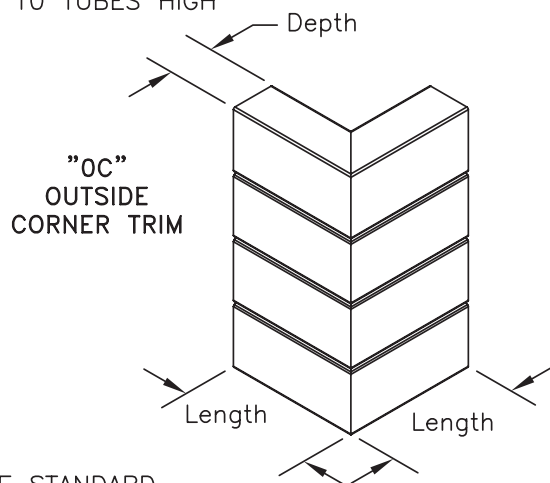
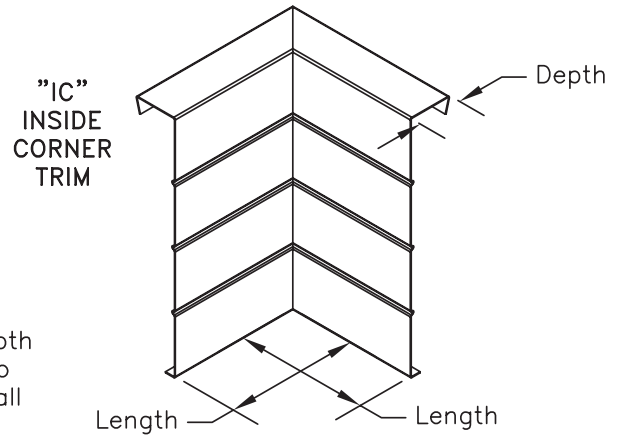
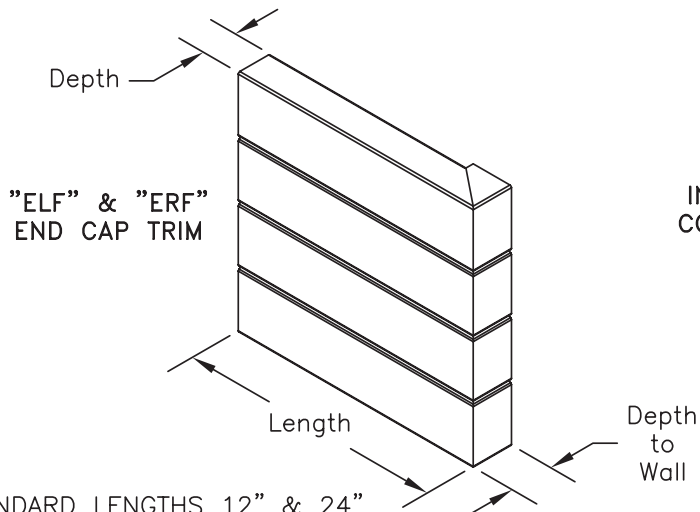
CONTRACTOR: _____

PO NUMBER: _____

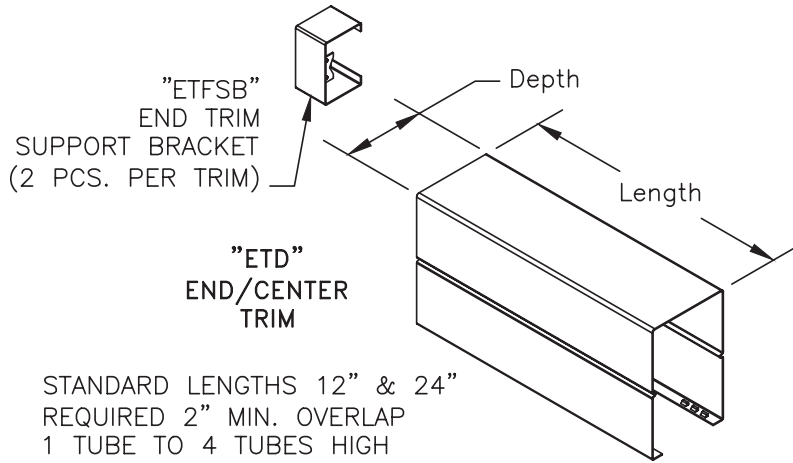
FULL TRIM ACCESSORIES



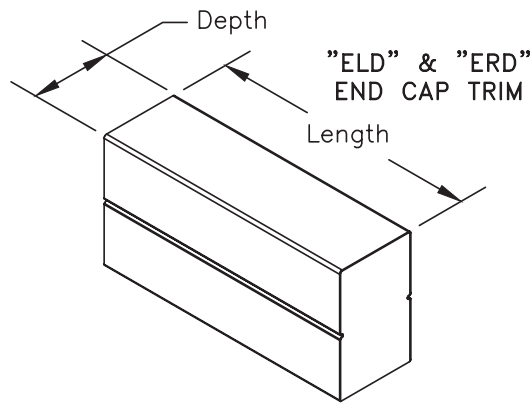
PANEL MODEL	DEPTH	DEPTH TO WALL	LENGTH	
			"ETF", "ELF", "ERF"	"IC" & "OC"
PR/PRF	1 5/8"	2"	12"	6"x6"
PR2/PR2F	3 3/8"	5"	&	&
PR3F	4 7/8"	5"	24"	12"x12"



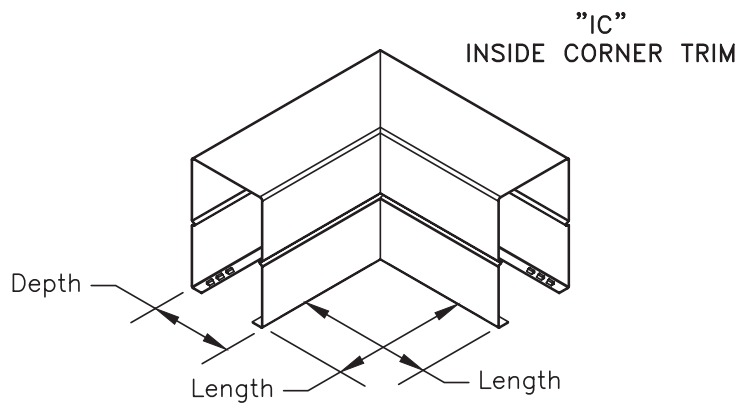
FULL SADDLE TRIM ACCESSORIES



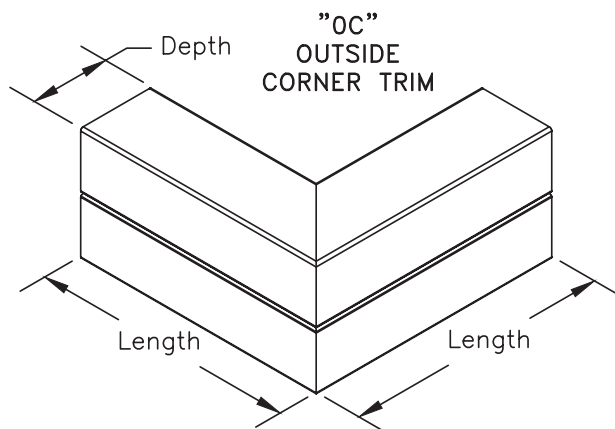
STANDARD LENGTHS 12" & 24"
REQUIRED 2" MIN. OVERLAP
1 TUBE TO 4 TUBES HIGH



STANDARD LENGTHS 12" & 24"
SPECIFY LEFT OR RIGHT (RIGHT SIDE SHOWN)
REQUIRED 2" MIN. OVERLAP
1 TUBE TO 4 TUBES HIGH



90° ANGLE STANDARD
STANDARD LENGTHS 6" X 6" & 12" X 12"
REQUIRED 2" MIN. OVERLAP
1 TUBE TO 4 TUBES HIGH



90° ANGLE STANDARD
STANDARD LENGTHS 6" X 6" & 12" X 12"
REQUIRED 2" MIN. OVERLAP
1 TUBE TO 4 TUBES HIGH

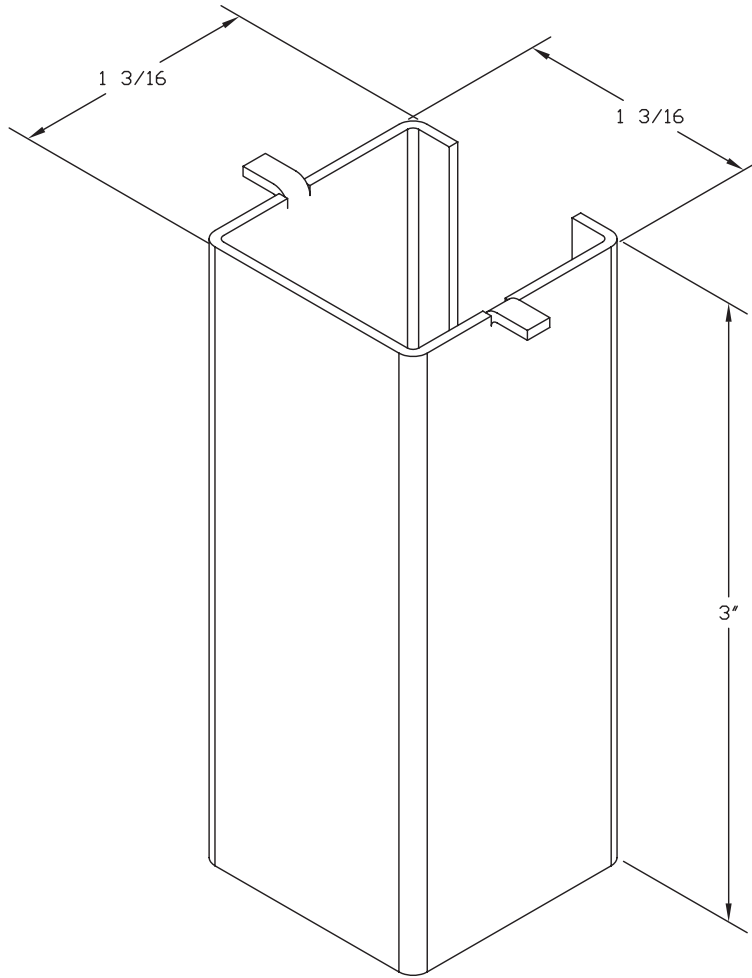
PANEL MODEL	DEPTH	LENGTH	
		"ETD", "ELD", "ERD"	"IC" & "OC"
PR2/PR2F	3 3/8"	12" & 24"	6" x 6"
PR3F	4 7/8"		& 12" x 12"

GENERAL NOTES:

- 1) ONLY AVAILABLE UP TO 4 TUBES HIGH
- 2) STANDARD APPLICATION IS PEDESTAL MOUNTED PANEL RADIATORS

CAT-75594D

VERTICAL PIPE TRIM



"PRVPT"
VERTICAL
PIPE TRIM

STANDARD SIZES:
HEIGHT 3" OR 10" AVAILABLE

CAT-76578