

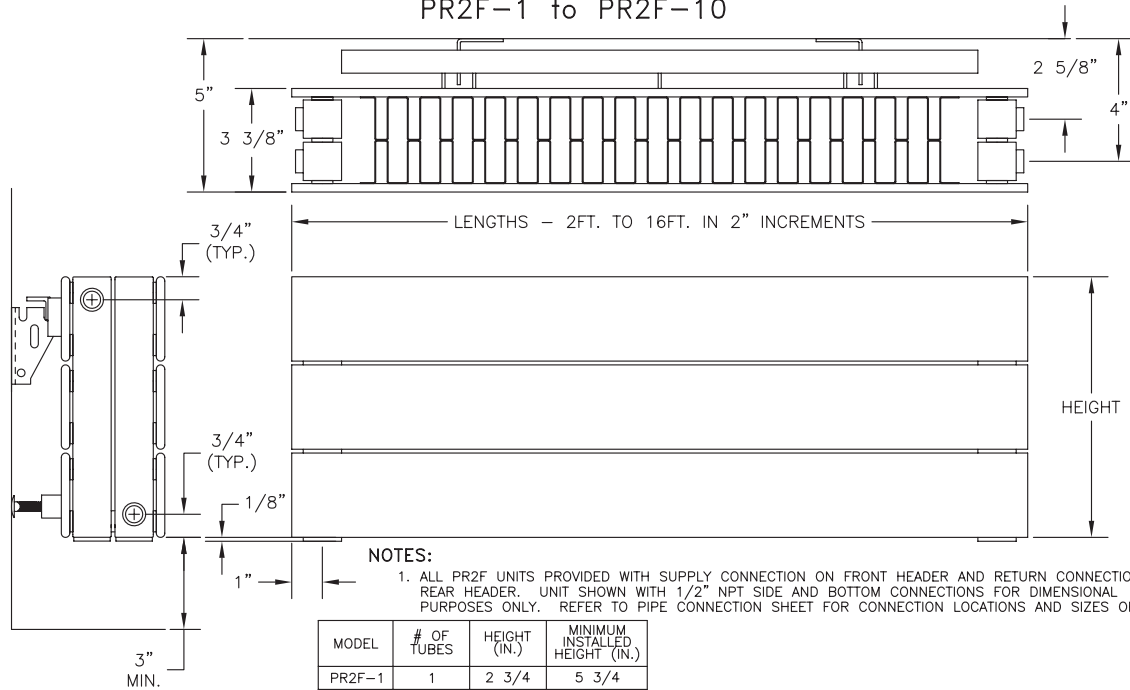
PANEL RADIATOR

Submittal

PR2F-2

Specification

PR2F-1 to PR2F-10



| MODEL | # OF TUBES | HEIGHT (IN.) | MINIMUM INSTALLED HEIGHT (IN.) |
|---------|------------|--------------|--------------------------------|
| PR2F-1 | 1 | 2 3/4 | 5 3/4 |
| PR2F-2 | 2 | 5 3/4 | 8 3/4 |
| PR2F-3 | 3 | 8 5/8 | 11 5/8 |
| PR2F-4 | 4 | 11 1/2 | 14 1/2 |
| PR2F-5 | 5 | 14 3/8 | 17 3/8 |
| PR2F-6 | 6 | 17 1/4 | 20 1/4 |
| PR2F-7 | 7 | 20 1/4 | 23 1/4 |
| PR2F-8 | 8 | 23 1/8 | 26 1/8 |
| PR2F-9 | 9 | 26 1/8 | 29 1/8 |
| PR2F-10 | 10 | 29 | 32 |

CAT-75574B

| MODEL TYPE | BTU/FT/HR @ LISTED AWT & 65°F EAT | | | | | | | | |
|------------|-----------------------------------|-------|-------|-------|-------|-------|-------|-------|-------|
| | 215°F | 190°F | 180°F | 170°F | 160°F | 150°F | 140°F | 130°F | 120°F |
| PR2F 01 | 979 | 769 | 689 | 612 | 537 | 465 | 395 | 327 | 263 |
| PR2F 02 | 1589 | 1247 | 1118 | 993 | 872 | 754 | 640 | 531 | 427 |
| PR2F 03 | 2019 | 1584 | 1421 | 1261 | 1108 | 958 | 813 | 675 | 542 |
| PR2F 04 | 2417 | 1897 | 1701 | 1510 | 1326 | 1147 | 974 | 808 | 649 |
| PR2F 05 | 3094 | 2498 | 2177 | 1933 | 1697 | 1457 | 1246 | 1034 | 831 |
| PR2F 06 | 3470 | 2723 | 2443 | 2168 | 1904 | 1646 | 1398 | 1160 | 932 |
| PR2F 07 | 3846 | 3018 | 2707 | 2403 | 2110 | 1824 | 1549 | 1286 | 1033 |
| PR2F 08 | 4211 | 3304 | 2963 | 2631 | 2310 | 1997 | 1696 | 1408 | 1131 |
| PR2F 09 | 4432 | 3478 | 3119 | 2769 | 2431 | 2102 | 1785 | 1481 | 1190 |
| PR2F 10 | 4644 | 3645 | 3269 | 2901 | 2548 | 2203 | 1871 | 1552 | 1247 |



STERLING

COMMERCIAL HYDRONIC PRODUCTS

260 North Elm St., Westfield, MA 01085

(413) 564-5535

www.sterlingheat.com

08/2024

PROJECT: _____ DATE: _____

LOCATION: _____

ARCHITECT: _____

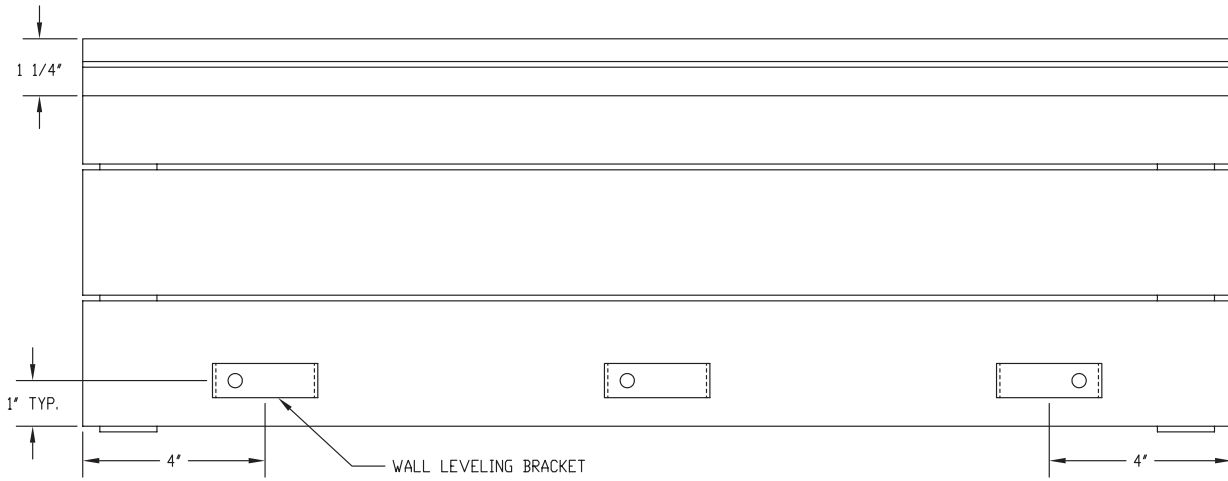
ENGINEER: _____

CONTRACTOR: _____

PO NUMBER: _____

TYPICAL WALL MOUNTED INSTALLATION

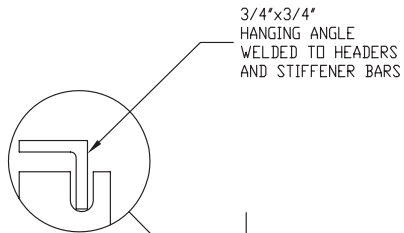
WALL MOUNTING – TYPICAL INSTALLATION
WALL MOUNTING: PR, PR2, PR2F



TYPICAL LEVELING BRACKET INSTALLATION (BACKVIEW)

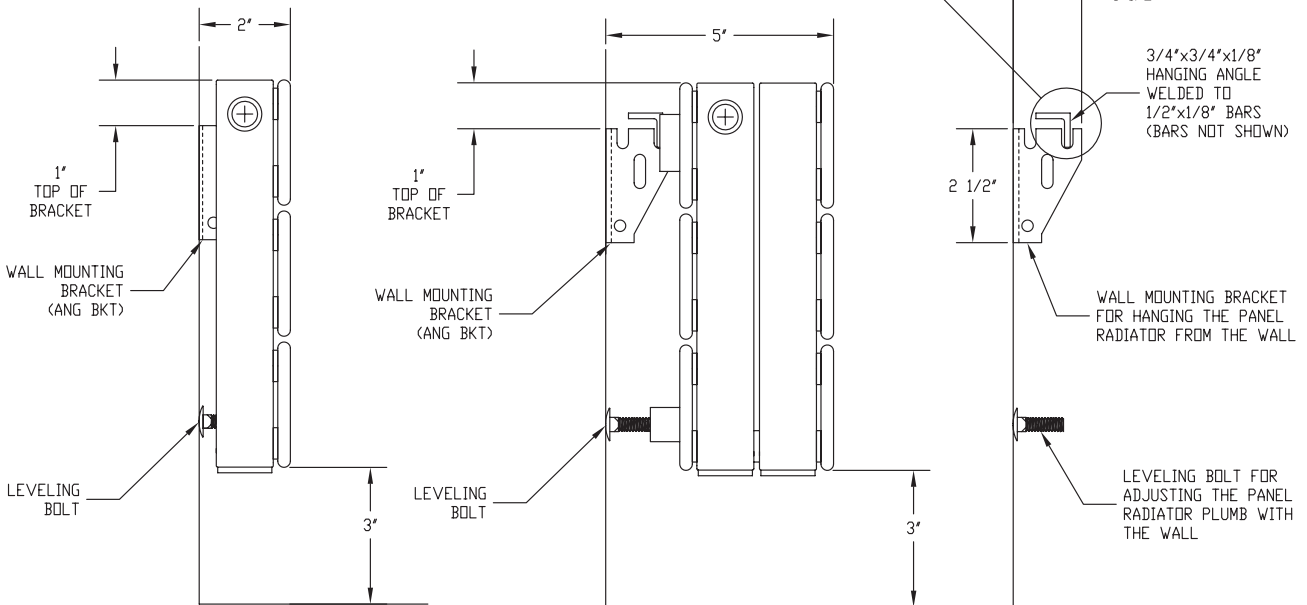
| PANEL LENGTH | QTY. OF BRACKETS |
|--------------|------------------|
| 24' - 60' | 2 PCS |
| 62' - 138' | 3 PCS |
| 140' - 236' | 4 PCS |
| 238' - 240' | 5 PCS |

A LEVELING BOLT IS SUPPLIED FOR EACH BRACKET



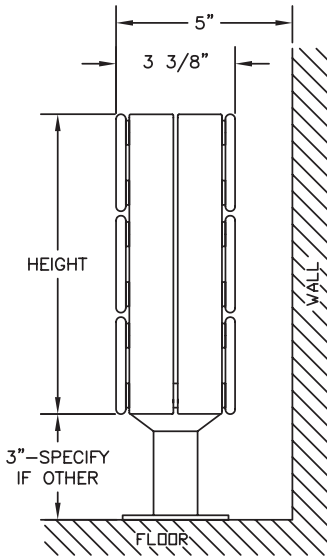
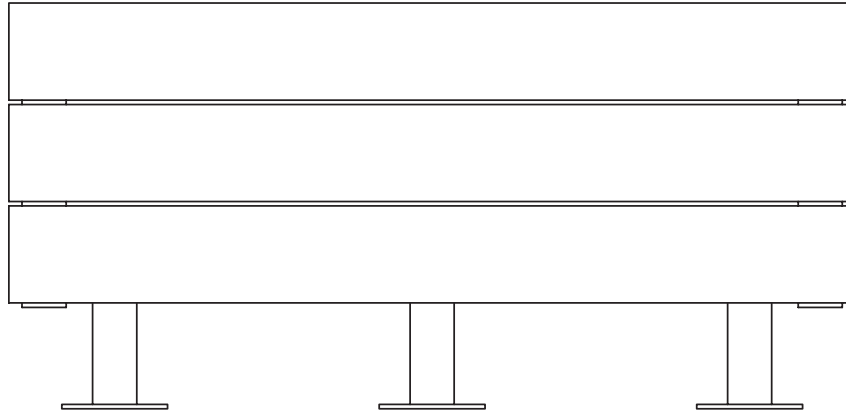
3/4"x3/4"
HANGING ANGLE
WELDED TO HEADERS
AND STIFFENER BARS

TYPICAL WALL MOUNTING BRACKET INSTALLATION

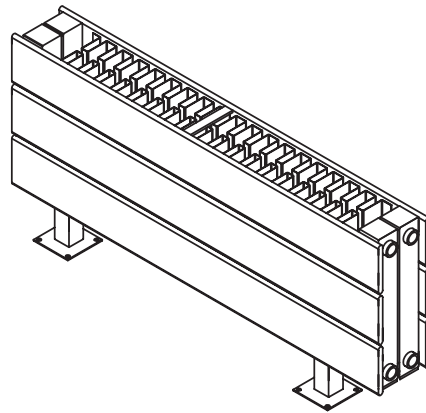


TYPICAL FREE STANDING PEDESTAL MOUNTED INSTALLATION

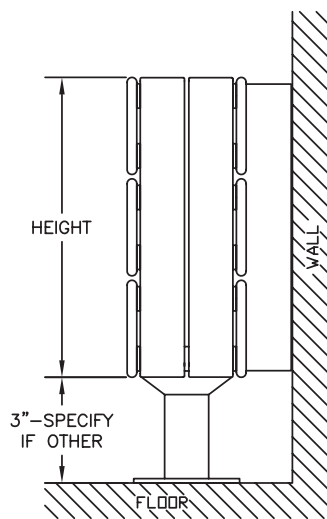
PEDESTAL MOUNTING FREE STANDING FLOOR MOUNT PR2, PR2F & PR3F



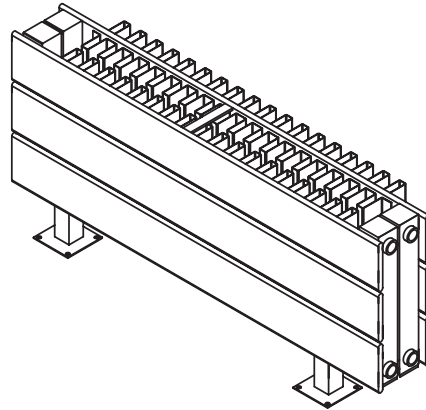
FREE STANDING FLOOR MOUNT FOR "PR2" AND "PR2F" UNITS



| PANEL LENGTH | QTY. OF BRACKETS |
|--------------|------------------|
| 24" - 60" | 2 PCS |
| 62" - 138" | 3 PCS |
| 140" - 192" | 4 PCS |



FREE STANDING FLOOR MOUNT FOR "PR3F" UNITS

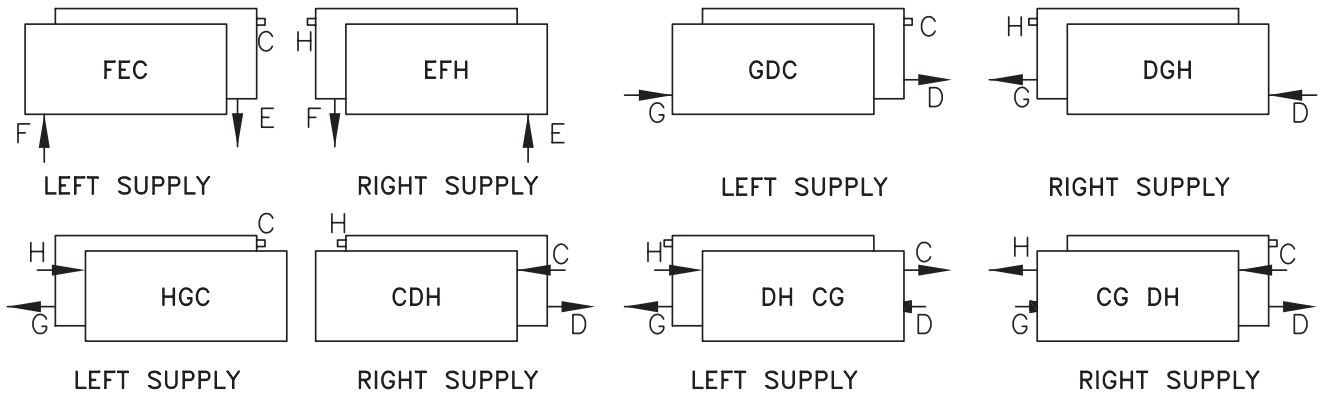


| PANEL MODEL | HEIGHT |
|-----------------------|---------|
| PR2-1, PR2F-1, PR3F-1 | 2-3/4" |
| PR2-2, PR2F-2, PR3F-2 | 5-3/4" |
| PR2-3, PR2F-3, PR3F-3 | 8-5/8" |
| PR2-4, PR2F-4, PR3F-4 | 11-1/2" |

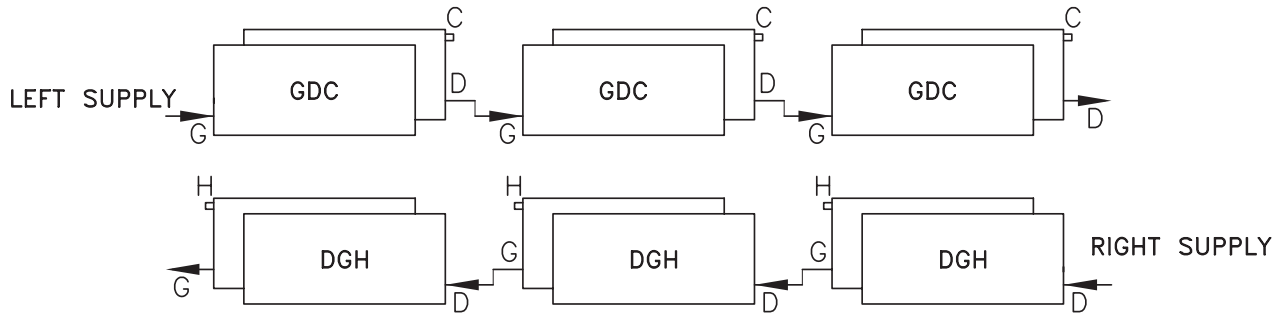
ONLY AVAILABLE UP TO 4 TUBES TALL

STANDARD PIPING CONNECTION LOCATIONS

PR2, PR2F, PR3F PIPING OPTIONS

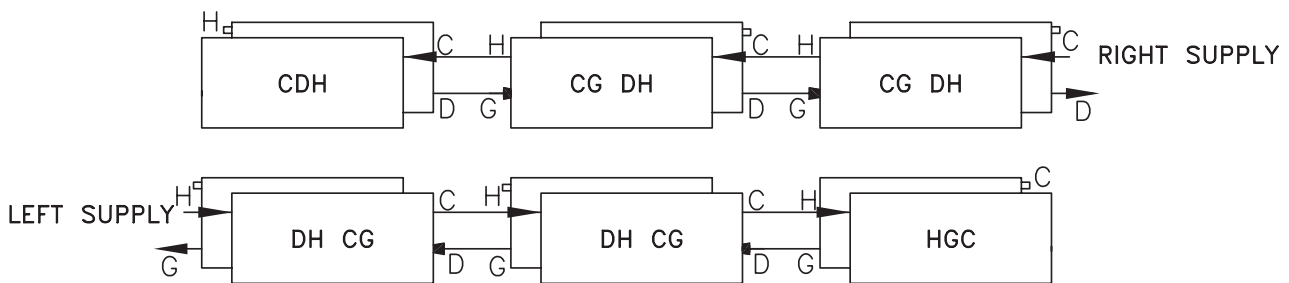


OPPOSITE END SERIES



- NOTES:
- VENT ON EACH PANEL
 - CAN ELIMINATE COSTLY RISERS
 - LOWER PD THAN SAME END SERIES
 - UP TO 7 RADIATORS (100 FT) IN SERIES OPPOSITE END
 - EXPANSION COMPENSATION PIPING TO BE PROVIDED BY OTHERS

SAME END SERIES



- NOTES:
- SAME AWT OVER THE ENTIRE SAME END SERIES
 - CAN ELIMINATE COSTLY RISERS
 - HIGHER PD THAN OPPOSITE END SERIES
 - NO MORE THAN 3 RADIATORS IN SERIES SAME END
 - EXPANSION COMPENSATION PIPING TO BE PROVIDED BY OTHERS

Model PR2F

PANEL RADIATOR SPECIFICATIONS

Specifications

Provide steel double panel radiators of the lengths and in locations as indicated, and of capacities, style, and having accessories as scheduled. The double heating panel radiation shall be of one-piece all-welded steel construction, consisting of a pair of flattened water tube panels welded to headers at each end. Continuous strips of steel corrugated fins are to be welded to the inside of each panel, to increase the convective output of the radiator. The fins shall start at no less than 3" from the end of the radiator, and shall have no less than 32 fins per foot. The radiators may include an optional integral heavy gauge all-welded perforated top grille, which will cover the top of all of the finned areas, when specified.

All radiator header pipes are square 0.109" minimum wall thickness. The headers shall include all necessary inlet, outlet and vent connections as required. Standard connection sizes are 1/2" NPT tapered thread for supply and return piping, and 1/8" for the vent connection. Internal baffling is provided where required for proper water flow. Option 29, 3/4" NPT connections are available at an additional cost, when specified.

The radiant heating panels shall be available in lengths from 2'-0" to 16'-0" in two inch even increments without the need for splicing. The panel radiation shall be capable of being mounted to typical stud wall construction without additional blocking or strapping. Appropriate wall mounting brackets shall be provided with the radiation. Optional floor mounting pedestal brackets (for panels up to 4 tubes high) may be provided at an additional cost when specified. Panel radiation expansion shall not exceed 1/64" per foot of radiation at 215°F. The installer shall provide adequate expansion compensation for each radiator.

Pressure Ratings:

Pressure ratings for the radiation shall be as follows:

LOW (Standard)- .048" minimum wall thickness. Working pressure 56-PSI maximum, Test Pressure-74 PSI maximum

OR

HIGH (Optional)- .078" minimum wall thickness. Working pressure 128-PSI maximum, Test Pressure 184 PSI maximum

Finishes:

The panel radiation shall be cleaned and phosphatized in preparation for the powder coat finish. The radiation is then finish painted with a gloss powder coat finish, for a total paint thickness of 2-3 mils (0.002" - 0.003"). The color shall be selected from the standard color chart. Optional custom colors shall be available at and additional cost.

Options:

Dual header panel radiators (up to 4 tubes tall) may be provided with floor-mounted pedestal brackets at an additional cost when specified.

Ribbed pipe cover trims (up to 4 tubes high), finished to match the radiators shall be provided at an additional cost when specified.

Optional integral heavy gauge all-welded perforated top grille is available at an additional cost, when specified.