

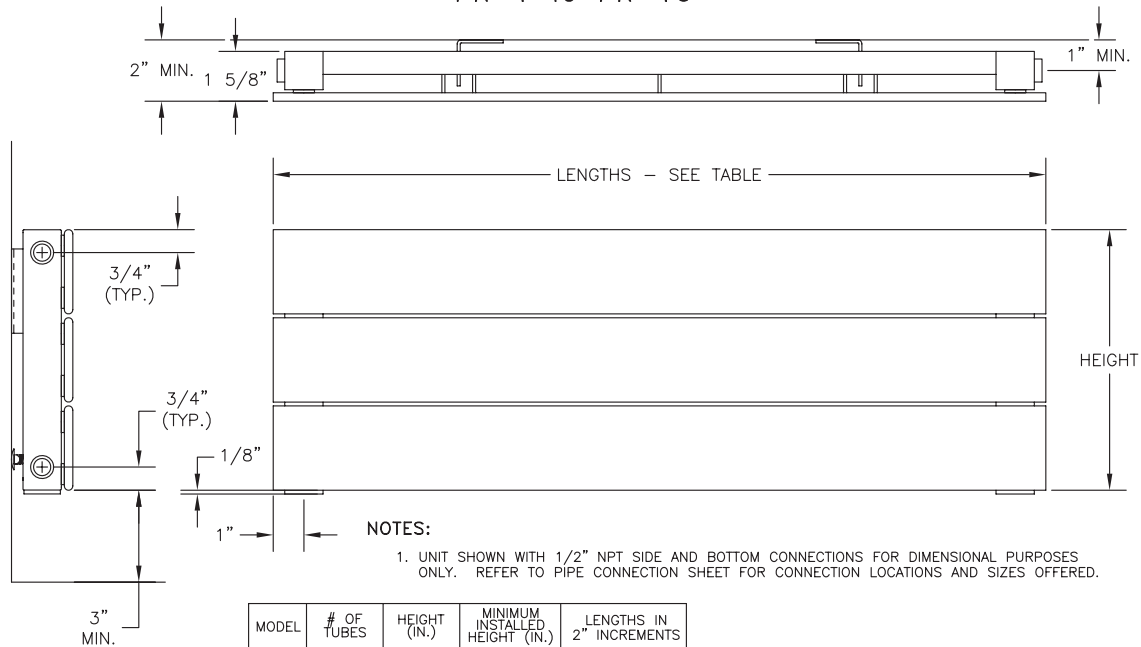
PANEL RADIATOR

Submittal

PR-2

Specification

PR-1 to PR-10



| MODEL | # OF TUBES | HEIGHT (IN.) | MINIMUM INSTALLED HEIGHT (IN.) | LENGTHS IN 2" INCREMENTS |
|-------|------------|--------------|--------------------------------|--------------------------|
| PR-1 | 1 | 2 3/4 | 5 3/4 | 2FT TO 20FT |
| PR-2 | 2 | 5 3/4 | 8 3/4 | 2FT TO 19FT |
| PR-3 | 3 | 8 5/8 | 11 5/8 | 2FT TO 19FT |
| PR-4 | 4 | 11 1/2 | 14 1/2 | 2FT TO 18FT |
| PR-5 | 5 | 14 3/8 | 17 3/8 | 2FT TO 18FT |
| PR-6 | 6 | 17 1/4 | 20 1/4 | 2FT TO 17FT |
| PR-7 | 7 | 20 1/4 | 23 1/4 | 2FT TO 17FT |
| PR-8 | 8 | 23 1/8 | 26 1/8 | 2FT TO 16FT |
| PR-9 | 9 | 26 1/8 | 29 1/8 | 2FT TO 16FT |
| PR-10 | 10 | 29 | 32 | 2FT TO 15FT |

CAT-75571A

| MODEL TYPE | BTU/FT/HR @ LISTED AWT & 65°F EAT | | | | | | | | |
|------------|-----------------------------------|-------|-------|-------|-------|-------|-------|-------|-------|
| | 215°F | 190°F | 180°F | 170°F | 160°F | 150°F | 140°F | 130°F | 120°F |
| PR 01 | 231 | 181 | 162 | 144 | 127 | 109 | 93 | 77 | 62 |
| PR 02 | 416 | 326 | 292 | 260 | 228 | 197 | 167 | 139 | 112 |
| PR 03 | 615 | 483 | 433 | 384 | 337 | 292 | 248 | 206 | 165 |
| PR 04 | 811 | 636 | 571 | 507 | 445 | 385 | 327 | 271 | 218 |
| PR 05 | 1012 | 794 | 712 | 632 | 555 | 480 | 408 | 338 | 272 |
| PR 06 | 1219 | 956 | 858 | 761 | 668 | 578 | 491 | 407 | 327 |
| PR 07 | 1429 | 1122 | 1006 | 893 | 784 | 678 | 576 | 478 | 384 |
| PR 08 | 1638 | 1285 | 1153 | 1023 | 898 | 777 | 660 | 547 | 440 |
| PR 09 | 1846 | 1449 | 1300 | 1154 | 1013 | 876 | 744 | 617 | 496 |
| PR 10 | 2057 | 1614 | 1448 | 1285 | 1128 | 976 | 829 | 688 | 552 |



STERLING

COMMERCIAL HYDRONIC PRODUCTS

260 North Elm St., Westfield, MA 01085

(413) 564-5535

www.sterlingheat.com

08/2024

PROJECT: _____ DATE: _____

LOCATION: _____

ARCHITECT: _____

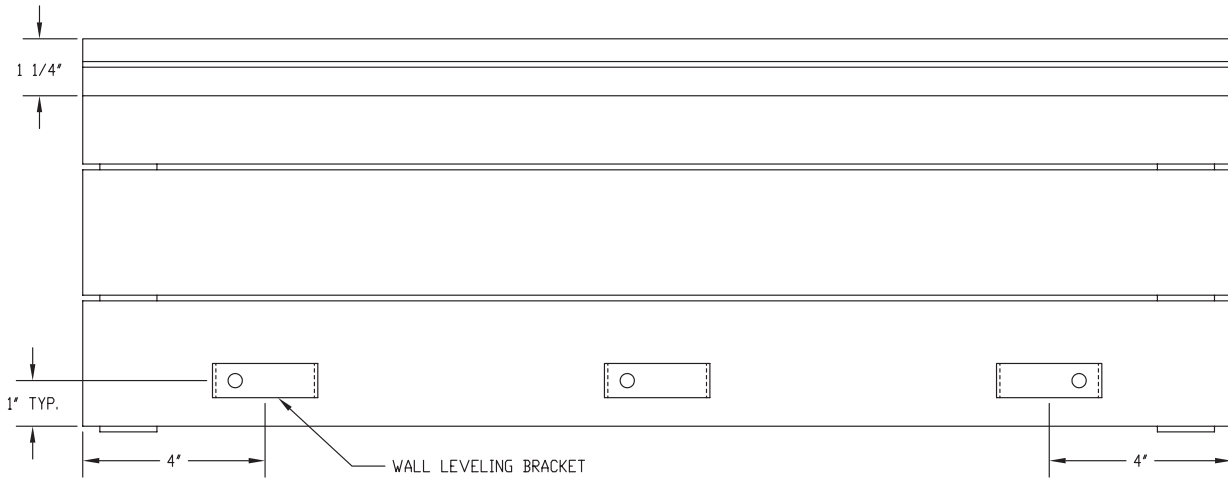
ENGINEER: _____

CONTRACTOR: _____

PO NUMBER: _____

TYPICAL WALL MOUNTED INSTALLATION

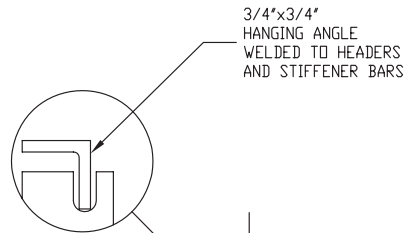
WALL MOUNTING – TYPICAL INSTALLATION
WALL MOUNTING: PR, PR2, PR2F



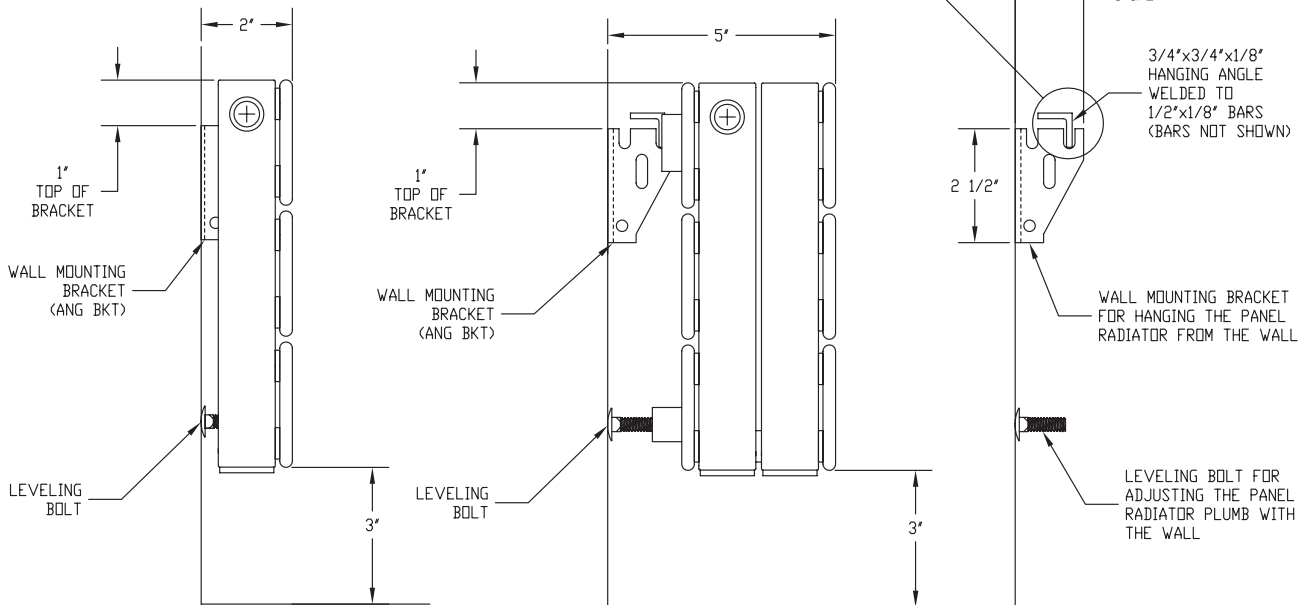
TYPICAL LEVELING BRACKET INSTALLATION (BACKVIEW)

| PANEL LENGTH | QTY. OF BRACKETS |
|--------------|------------------|
| 24' - 60' | 2 PCS |
| 62' - 138' | 3 PCS |
| 140' - 236' | 4 PCS |
| 238' - 240' | 5 PCS |

A LEVELING BOLT IS SUPPLIED FOR EACH BRACKET

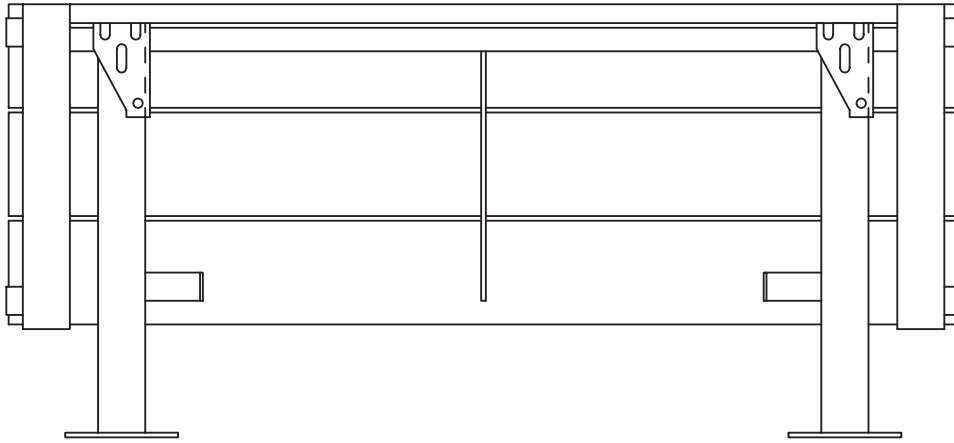


TYPICAL WALL MOUNTING BRACKET INSTALLATION



TYPICAL FREE STANDING PEDESTAL MOUNTED INSTALLATION

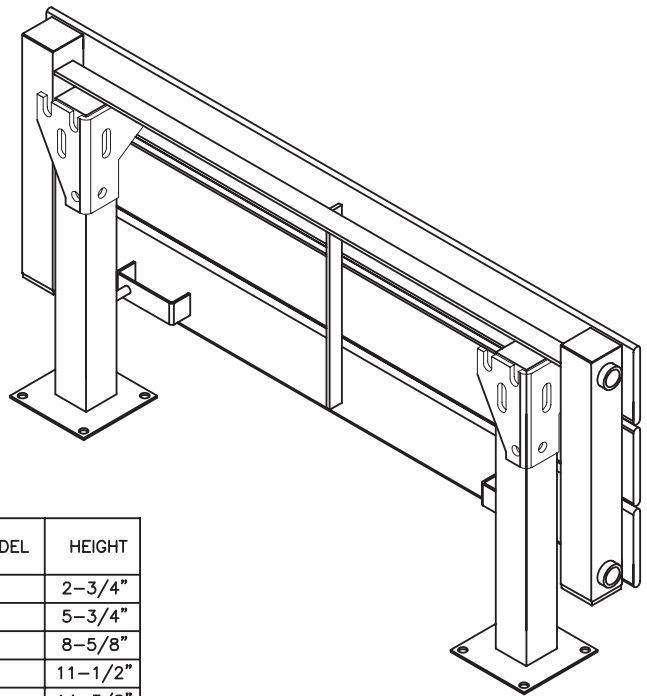
PEDESTAL MOUNTING FREE STANDING FLOOR MOUNT PR



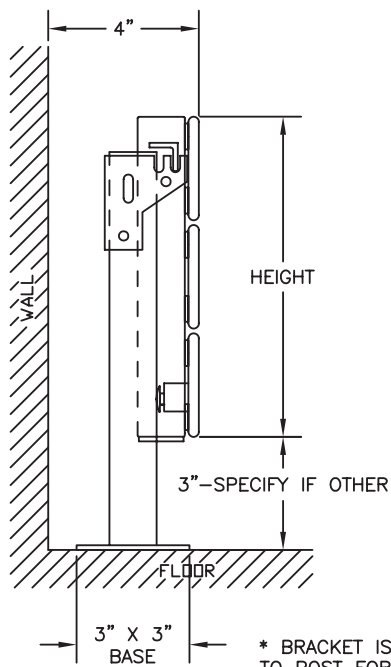
TYPICAL LEVELING BRACKET INSTALLATION (BACKVIEW)

| PANEL LENGTH | QTY. OF BRACKETS |
|--------------|------------------|
| 24" - 60" | 2 PCS |
| 62" - 138" | 3 PCS |
| 140" - 236" | 4 PCS |
| 238" - 240" | 5 PCS |

A LEVELING BOLT IS SUPPLIED FOR EACH BRACKET



FREE STANDING FLOOR MOUNT FOR "PR" UNITS



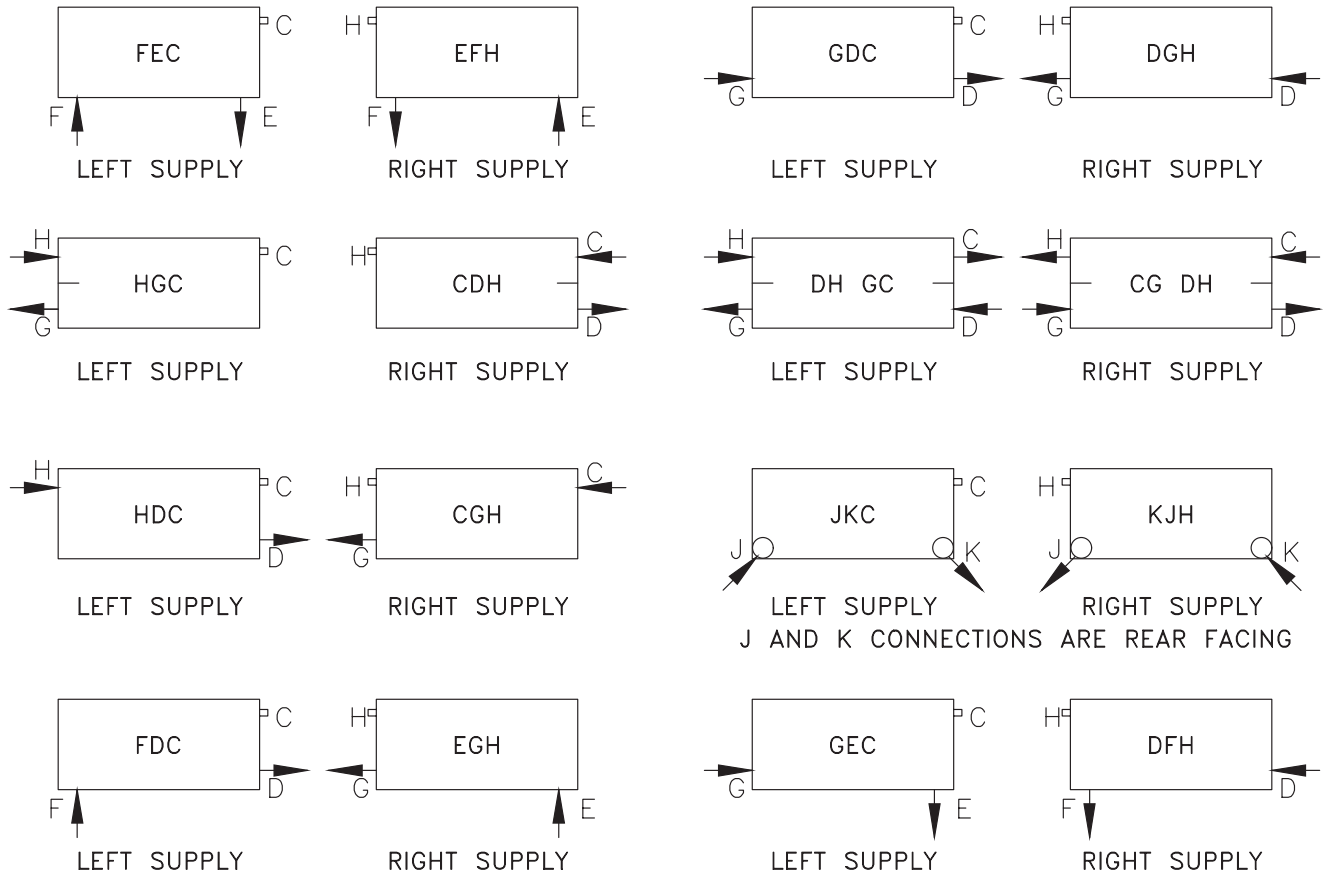
| PANEL MODEL | HEIGHT |
|-------------|---------|
| PR-1 | 2-3/4" |
| PR-2 | 5-3/4" |
| PR-3 | 8-5/8" |
| PR-4 | 11-1/2" |
| PR-5 | 14-3/8" |
| PR-6 | 17-1/4" |
| PR-7 | 20-1/4" |
| PR-8 | 23-1/8" |
| PR-9 | 26-1/8" |
| PR-10 | 29" |

* BRACKET IS FIELD INSTALLED (HARDWARE BY OTHERS)
TO POST FOR STABILITY AND STRENGTH

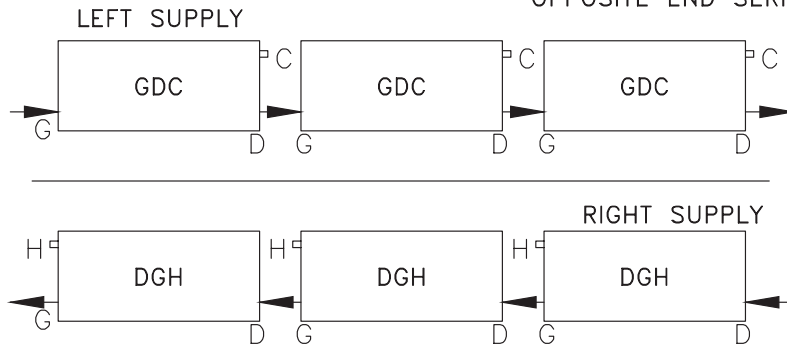
CAT-75587B

STANDARD PIPING CONNECTION LOCATIONS

PR, PRF, PRC PIPING OPTIONS

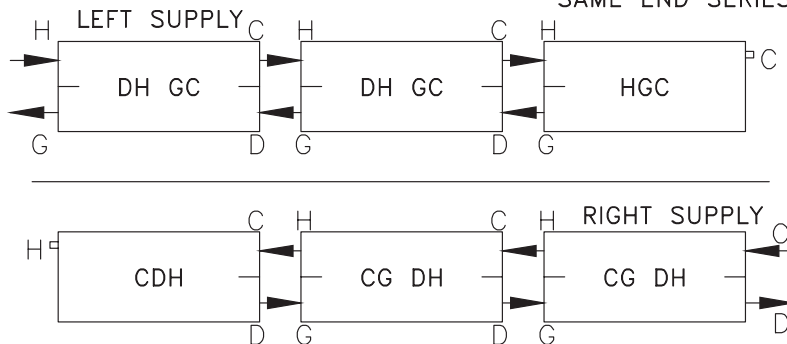


OPPOSITE END SERIES



- NOTES:
- VENT ON EACH PANEL
 - CAN ELIMINATE COSTLY RISERS
 - LOWER PD THAN SAME END SERIES
 - UP TO 7 RADIATORS (100 FT) IN SERIES OPPOSITE END
 - EXPANSION COMPENSATION PIPING TO BE PROVIDED BY OTHERS

SAME END SERIES



- NOTES:
- SAME AWT OVER THE ENTIRE SAME END SERIES
 - CAN ELIMINATE COSTLY RISERS
 - HIGHER PD THAN OPPOSITE END SERIES
 - NO MORE THAN 3 RADIATORS IN SERIES SAME END
 - EXPANSION COMPENSATION PIPING TO BE PROVIDED BY OTHERS

Model PR

PANEL RADIATOR SPECIFICATIONS

Specifications

Provide steel panel radiator elements of lengths and in locations as indicated, and of capacities, style, and having accessories as scheduled. The wall hung heating panel radiation shall be of one-piece all-welded steel construction, consisting of flattened water tubes welded to headers at each end. The radiator may include an optional integral heavy gauge all-welded perforated top grille, when specified (for curved radiators the grille is omitted).

All radiator header pipes are square 0.109" minimum wall thickness. The headers shall include all necessary inlet, outlet and vent connections as required. Standard connection sizes are ½" NPT tapered thread for supply and return piping, and 1/8" for the vent connection. Internal baffling is provided where required for proper water flow. Option 29, ¾" NPT connections are available at an additional cost, when specified.

The radiant heating panels shall be available in lengths from 2'-0" to 20'-0" in two inch even increments without the need for splicing. The panel radiation shall be capable of being mounted to typical stud wall construction without additional blocking or strapping. Appropriate wall mounting brackets will be provided with the panel radiators. Optional floor post mounting brackets will be provided with the panel radiators when specified. Panel radiation expansion shall not exceed 1/64" per foot of radiation at 215°F. The installer shall provide adequate expansion compensation for each radiator.

Pressure Ratings:

Pressure ratings for the panel radiators shall be as follows:

LOW (Standard)- .048" minimum wall thickness. Working pressure 56-PSI maximum, Test Pressure-74 PSI maximum

OR

HIGH (Optional)- .078" minimum wall thickness. Working pressure 128-PSI maximum, Test Pressure 184 PSI maximum

Finishes:

The panel radiation shall be cleaned and phosphatized in preparation for the powder coat finish. The radiation is then finish painted with a gloss powder coat finish, for a total paint thickness of 2-3 mils (0.002" - 0.003"). The color shall be selected from the standard color chart. Optional custom colors shall be available at and additional cost.

Options:

Optional floor mounting post brackets are available at an additional cost with the panel radiators (up to 10 tubes high) when specified.

Ribbed pipe cover trims (up to 10 tubes high), finished to match the radiators shall be provided with the radiation when specified.

Optional integral heavy gauge all-welded perforated top grille is available at an additional cost, when specified.