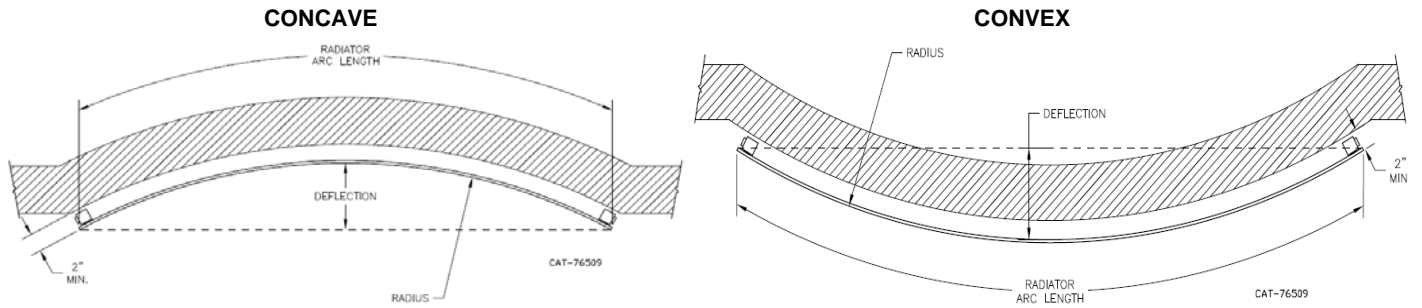


FACTORY Curved Radiator Submittal (Medium or High Pressure PR or PRF Panels Only)



Project Name: _____ Project Location: _____

Tag No	Quantity	Radiator Model	Radiator Arc Length	Radius	Concave/Convex	Deflection	Connections	Color

MAXIMUM RADIATOR LENGTHS SHOWN (Minimum length is 5'-0")

		RADIUS																	
		5'	6'	7'	8'	9'	10'	11'	12'	13'	14'	15'	16'	17'	18'	19'	20'		
PR PANELS NO FINS	TUBES	MAXIMUM RADIATOR LENGTHS																	
	1	13'	14'	15'	16'	17'	18'	19'	20'	20'	20'	20'	20'	20'	20'	20'	20'	20'	
	2	13'	14'	15'	16'	17'	18'	19'	20'	20'	20'	20'	20'	20'	20'	20'	20'	20'	
	3	13'	14'	15'	16'	17'	18'	19'	20'	20'	20'	20'	20'	20'	20'	20'	20'	20'	
	4	13'	14'	15'	16'	17'	18'	19'	20'	20'	20'	20'	20'	20'	20'	20'	20'	20'	
	5	13'	14'	15'	16'	17'	18'	19'	20'	20'	20'	20'	20'	20'	20'	20'	20'	20'	
6	13'	14'	15'	16'	17'	18'	19'	20'	20'	20'	20'	20'	20'	20'	20'	20'	20'		

MAXIMUM RADIATOR LENGTHS SHOWN (Minimum length is 10'-0")

		RADIUS										
		10'	11'	12'	13'	14'	15'	16'	17'	18'	19'	20'
PRF PANELS WITH FINS	TUBES	MAXIMUM RADIATOR LENGTHS										
	1	10'	11'	11'	12'	12'	13'	13'	13'	14'	14'	15'
	2	10'	11'	11'	12'	12'	13'	13'	13'	14'	14'	15'
	3	10'	11'	11'	12'	12'	13'	13'	13'	14'	14'	15'
	4	10'	11'	11'	12'	12'	13'	13'	13'	14'	14'	15'
	5	10'	11'	11'	12'	12'	13'	13'	13'	14'	14'	15'
6	10'	11'	11'	12'	12'	13'	13'	13'	14'	14'	15'	

Comments on Factory Curved Panel Radiators

1. Factory curving is not exact. There will be some "fitting to the curve" required in the field.
2. When curving to a radius of less than 20 feet, the radius of the radiator ends will vary slightly from the radiator as a whole. Care in job planning and flexibility in radiator piping are essential.

When Ordering Factory Curved Panel Radiators

1. The radiator must be ordered by the Arc length.
2. The radius of curvature of the radiator must be specified (deflection is helpful if known).
3. Curved panel radiators are available with medium or high pressure tubes only.
4. It must be specified "Option 54 Factory Curved" on the order release.
5. Lockdown brackets are advised for all curved radiator installations. A minimum of one on each end with one in the middle.

