

LCS-10

Submittal

Style "LCS-10"
Light Commercial
Slope Top Enclosure
Copper/Aluminum & Steel Ratings

Specification

ENCLOSURE:

- STYLE : LCS-10
 OUTLET: Slope Louvered
 Pencil Proof
 LENGTHS: 2'0" thru 8'0" in 6" Increments
 MAT'L 18 Ga. CRS (Std)
 16 Ga. CRS (Opt'l)
 FINISH: Baked Powder (Std)
 Baked Metallic (Opt'l)

ACCESSORIES:

Overlapping Type
 All accessories return to the wall at the bottom
 and have pre-punched holes for fastening to
 the wall.

ELEMENT:

- TYPE: Cu/AL (Mechanically Expanded)
 LENGTHS: 2'0" thru 8'0" in 1" Increments.
 One End Flared (Std)
 TYPE: IPS Steel (Mechanically
 Expanded)
 LENGTHS: 2'0" thru 12'0" in 1" Increments.
 NPT Thread both Ends (Std)
 Beveled Ends for Field Weld
 (Opt'l)

See Catalog for Working
 Pressures.

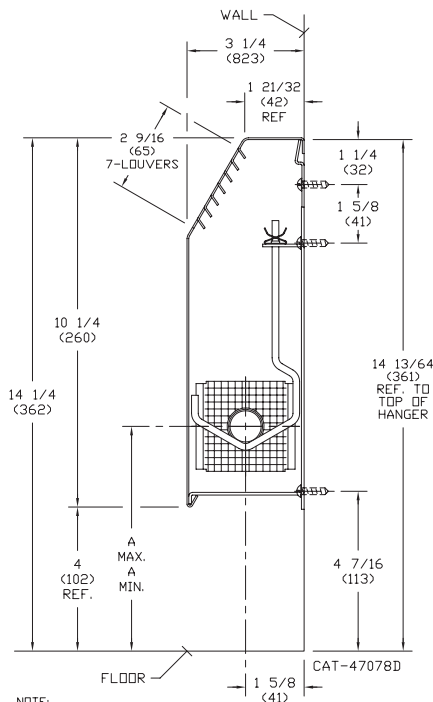
BACKPLATE:

- TYPE: Partial Backplate B-610
 LENGTHS: 8'0" Only
 MATERIAL: 20 Ga. Galvannealed (Std)
 18 Ga. Galvannealed (Opt'l)
 TYPE: Full Ht. B/P (Opt'l)
 LENGTHS: 2'0" thru 8'0" in 6" Increments
 MATERIAL: 20 Ga. Galvannealed (Std)
 18 Ga. Galvannealed (Opt'l)

AIR SEAL: 1/8" x 3/8" Closed Cell (Opt'l)

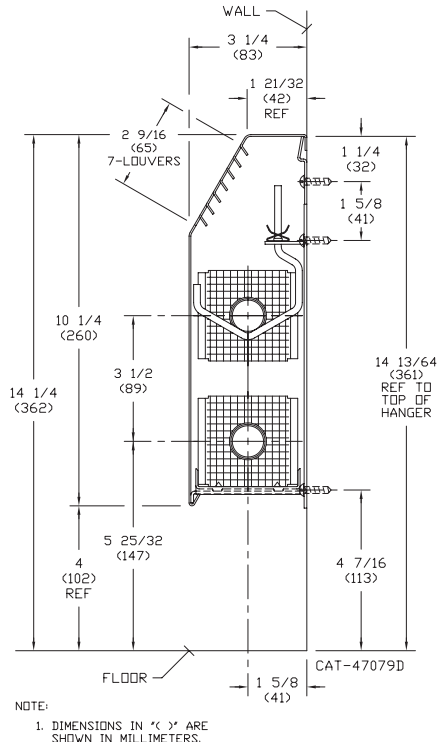
BRACKETS: 14 Ga. Galvannealed Steel
 One Piece Brkt

LCS-10
1-TIER



CATALOG NUMBER	A MIN.	A MAX.
R02	5-15/16 (150.8)	8-7/16 (214.3)
R03	6-1/6 (154)	8-5/8 (219.1)
R04	6-9/16 (166.7)	8-15/16 (227)
R05	6-9/16 (166.7)	9-1/8 (231.8)
R06, R07	7-1/8 (181)	8-11/16 (220.7)
R08	6-11/16 (169.9)	9-1/4 (235)
R09, R10	7-3/16 (182.6)	8-11/16 (220.7)
R11	6-11/16 (169.9)	9-3/16 (233.4)
R12, R13	7-3/16 (182.6)	8-11/16 (220.7)

LCS-10
2-TIER



Dimensions are in inches. Dimensions in parentheses are in millimeters.



STERLING

COMMERCIAL HYDRONIC PRODUCTS
 260 North Elm St., Westfield, MA 01085
 (413) 564-5535 Fax: (413) 562-8437

www.sterlingheat.com

PROJECT: _____ DATE: _____

LOCATION: _____

ARCHITECT: _____

ENGINEER: _____

CONTRACTOR: _____

PO NUMBER: _____

STYLE "LCS-10"

STEEL ELEMENT RATINGS

I.P.S. SIZE	CATALOG DESIGNATION	FIN SIZE	FIN PER FT.	FIN THICKNESS	ENCL DEPTH AND HEIGHT IN INCHES	TIERS AND CENTERS IN INCHES	MTG. HEIGHT IN INCHES	STEAM 215° FACTOR	HOT WATER (AVG.)					
									200°	190°	180°	170°	160°	150°
									FACTOR					
								1.00	.86	.78	.69	.61	.53	.45
1"	R11	2-3/4" x 3-3/4"	40	.024"	10-1/4	1	14-1/4	910	785	710	630	555	485	410
1"	R12	2-3/4" x 5"	40	.024"	10-1/4	1	14-1/4	910	785	710	630	555	485	410
1-1/4"	R13	2-3/4" x 5"	40	.024"	10-1/4	1	14-1/4	930	800	725	625	570	495	420

STYLE "LCS-10"

COPPER/ALUMINUM ELEMENT RATINGS

TUBE SIZE	CATALOG DESIGNATION	FIN SIZE	FIN PER FT.	FIN THICKNESS	ENCL DEPTH AND HEIGHT IN INCHES	TIERS AND CENTERS IN INCHES	MTG. HEIGHT IN INCHES	STEAM 215° FACTOR	HOT WATER (AVG.)					
									200°	190°	180°	170°	160°	150°
									FACTOR					
								1.00	.86	.78	.69	.61	.53	.45
3/4"	R02	2-3/4" x 2-1/2"	60	.011"	10-1/4	1	14-1/4	1140	980	890	785	695	605	515
3/4"	R04	2-3/4" x 3-3/4"	50	.011"	10-1/4	1	14-1/4	1170	1010	915	810	715	620	530
1"	R03	2-3/4" x 2-1/2"	55	.011"	10-1/4	1	14-1/4	1090	935	850	755	665	575	490
1"	R05	2-3/4" x 3-3/4"	50	.011"	10-1/4	1	14-1/4	1130	979	880	780	690	600	510
1"	R06	2-3/4" x 5"	40	.020"	10-1/4	1	14-1/4	1200	1030	935	830	730	630	540
1"	R07	2-3/4" x 5"	50	.020"	10-1/4	1	14-1/4	1210	1040	945	835	740	645	545
1-1/4"	R08	2-3/4" x 3-3/4"	50	.020"	10-1/4	1	14-1/4	1150	990	895	795	700	610	515
1-1/4"	R09	2-3/4" x 5"	40	.020"	10-1/4	1	14-1/4	1150	990	895	795	700	610	515
1-1/4"	R10	2-3/4" x 5"	50	.020"	10-1/4	1	14-1/4	1230	1060	960	850	750	655	555
3/4"	R02	2-3/4" x 2-1/2"	60	.011"	10-1/4	2	14-1/4	1560	1340	1215	1075	950	825	700
1"	R03	2-3/4" x 2-1/2"	55	.011"	10-1/4	2	14-1/4	1600	1375	1250	1105	975	845	720