

JVB Slip Jointed Enclosure

Specification

ENCLOSURE:

- STYLE: Flat Top, Front Outlet
 OUTLET: Stamped Louvers
 Pencil Proof
 LENGTHS: 2'0" thru 8'0" in 6" Increments
 MAT'L: 16 Ga. CRS (Std)
 14 Ga. CRS (Opt'l)
 16 Ga. Stainless Steel (Opt'l)
 14 Ga. Stainless Steel (Opt'l)
 14 Ga. Aluminum (Opt'l)
 12 Ga. Aluminum (Opt'l)
 HEIGHT: 14"
 20"
 24"
 30"
 36"
 FINISH: Baked Powder (Std)
 Baked Metallic (Opt'l)

ACCESSORIES:

JV Overlapping Type
 All accessories return to the wall at the bottom and have pre-punched holes for fastening to the wall.

ELEMENT:

- TYPE: Cu/Al (Mechanically Expanded)
 LENGTHS: 2'0" thru 12'6" in 1" Increments for 1" & 1-1/4" Cu.
 2'0" thru 8'0" in 1" Increments for 3/4" Cu.
 One End Flared (Std)
 See Catalog for Working Pressures

DAMPER:

- Damper Blades Factory Installed
 Knob Damper (Opt'l)
 Tamper Resistant (Opt'l)

BACKPLATE:

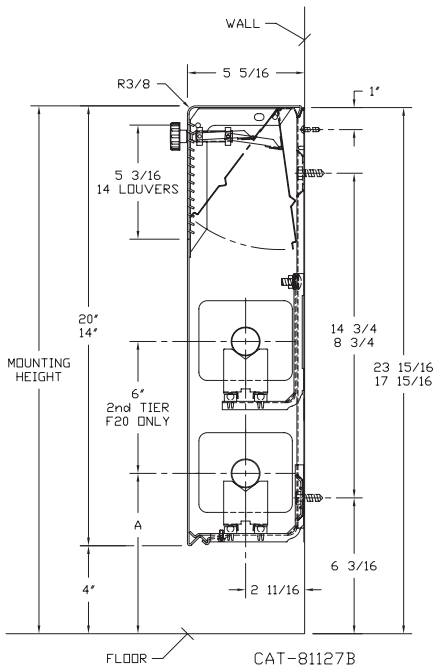
- TYPE: Partial B/P
 LENGTHS: 8'0" Only
 MAT'L: 20 Ga. Prepainted (Std)
 18 Ga. Galvannealed (Opt'l)
 TYPE: Full Ht. B/P (Opt'l)
 LENGTHS: 2'0" thru 8'0" in 6" Increments
 MAT'L: 20 Ga. Galvannealed (Opt'l)
 20 Ga. Painted (Opt'l)
 18 Ga. Painted (Opt'l)

AIRSEAL:

- 1/8" x 3/8" Closed Cell (Opt'l)

BRACKETS:

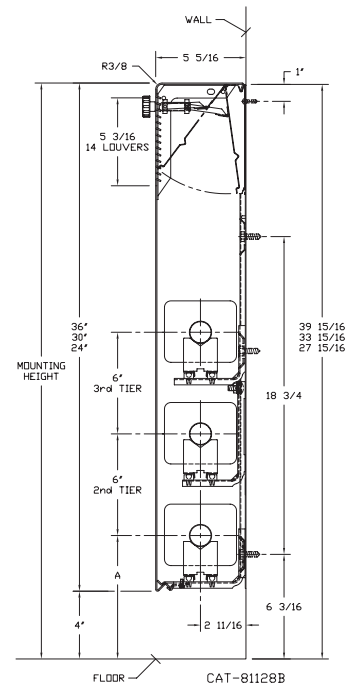
- Water Brkt (with Stand-Off)
 Stand-Off not required with 14", 20", & 24"
 B.B. Hanger, Bracket Mtd
 B.B. Hanger, Wall Mtd
 Wall Mtd B.B. Hanger required for 3rd Tier Element



ELEMENT TUBE SIZE	ELEMENT FIN SIZE HEIGHT x WIDTH	CRADLE	A
3/4" COPPER	3 5/8 x 4 1/4	2	7"
3/4" COPPER	4 1/4 x 4 1/4	3A	7 3/8"

- JVB-F 14
 JVB-F 20

- JVB-F 24
 JVB-F 30
 JVB-F 36



260 North Elm St., Westfield, MA 01085
 (413) 564-5535 Fax: (413) 562-8437
 www.sterlingheat.com

PROJECT: _____ DATE: _____
 LOCATION: _____
 ARCHITECT: _____
 ENGINEER: _____
 CONTRACTOR: _____
 PO NUMBER: _____



JVB-F Style "F" Front Outlet

Copper/Aluminum Elements

ALL RATINGS ARE BASED ON 3 FPS WATER VELOCITY, 65°EAT

TUBE SIZE	CATALOG DESIGNATION	FIN SIZE HEIGHT X WIDTH	FIN PER FT.	FIN THICKNESS IN INCHES	ENCL DEPTH AND HEIGHT IN INCHES	TIERS AND CENTERS IN INCHES	MTG. HEIGHT IN INCHES	STEAM 215°F FACTOR	HOT WATER (AVG.)										
									200°F	190°F	180°F	170°F	160°F	150°F	140°F	130°F	120°F	110°F	100°F
									CORRECTION FACTORS FOR AVERAGE WATER TEMPERATURES										
								1.00	0.86	0.78	0.69	0.61	0.53	0.45	.40	.33	.26	.20	.15
3/4"	C3/4-433	3-5/8" x 4-1/4"	32	.020	14B	1	18	1460	1260	1140	1010	890	770	660	580	480	380	290	220
					20B	1	24	1570	1350	1220	1080	960	830	710	630	520	410	310	240
					20B	2-6 CL	24	2390	2060	1860	1650	1460	1270	1080	960	790	620	480	360
					24B	1	28	1620	1390	1260	1120	990	860	730	650	530	420	320	240
					24B	2-6 CL	28	2410	2070	1880	1660	1470	1280	1080	960	800	630	480	360
					24B	3-6 CL	28	2770	2380	2160	1910	1690	1470	1250	1110	910	720	550	420
					30B	1	34	1710	1470	1330	1180	1040	910	770	680	560	440	340	260
					30B	2-6 CL	34	2470	2120	1930	1700	1510	1310	1110	990	820	640	490	370
					30B	3-6 CL	34	2840	2440	2220	1960	1730	1510	1280	1140	940	740	570	430
					36B	1	40	1800	1550	1400	1240	1100	950	810	720	590	470	360	270
					36B	2-6 CL	40	2530	2180	1970	1750	1540	1340	1140	1010	830	660	510	380
					36B	3-6 CL	40	2910	2500	2270	2010	1780	1540	1310	1160	960	760	580	440
3/4"	C3/4-434	3-5/8" x 4-1/4"	40	.020	14B	1	18	1680	1440	1310	1160	1020	890	760	670	550	440	340	250
					20B	1	24	1790	1540	1400	1240	1090	950	810	720	590	470	360	270
					20B	2-6 CL	24	2560	2200	2000	1770	1560	1360	1150	1020	840	670	510	380
					24B	1	28	1870	1610	1460	1290	1140	990	840	750	620	490	370	280
					24B	2-6 CL	28	2670	2300	2080	1840	1630	1420	1200	1070	880	690	530	400
					24B	3-6 CL	28	3040	2610	2370	2100	1850	1610	1370	1220	1000	790	610	460
					30B	1	34	2140	1840	1670	1480	1310	1130	960	860	710	560	430	320
					30B	2-6 CL	34	2920	2510	2280	2010	1780	1550	1310	1170	960	760	580	440
					30B	3-6 CL	34	3330	2860	2600	2300	2030	1760	1500	1330	1100	870	670	500
					36B	1	40	2410	2070	1880	1660	1470	1280	1080	960	800	630	480	360
					36B	2-6 CL	40	3170	2730	2470	2190	1930	1680	1430	1270	1050	820	630	480
					36B	3-6 CL	40	3610	3100	2820	2490	2200	1910	1620	1440	1190	940	720	540
3/4"	C3/4-435	3-5/8" x 4-1/4"	50	.020	14B	1	18	1820	1570	1420	1260	1110	960	820	730	600	470	360	270
					20B	1	24	2080	1790	1620	1440	1270	1100	940	830	690	540	420	310
					20B	2-6 CL	24	2780	2390	2170	1920	1700	1470	1250	1110	920	720	560	420
					24B	1	28	2230	1920	1740	1540	1360	1180	1000	890	740	580	450	330
					24B	2-6 CL	28	2940	2530	2290	2030	1790	1560	1320	1180	970	760	590	440
					24B	3-6 CL	28	3320	2860	2590	2290	2030	1760	1490	1330	1100	860	660	500
					30B	1	34	2470	2120	1930	1700	1510	1310	1110	990	820	640	490	370
					30B	2-6 CL	34	3150	2710	2460	2170	1920	1670	1420	1260	1040	820	630	470
					30B	3-6 CL	34	3560	3060	2780	2460	2170	1890	1600	1420	1170	930	710	530
					36B	1	40	2690	2310	2100	1860	1640	1430	1210	1080	890	700	540	400
					36B	2-6 CL	40	3320	2860	2590	2290	2030	1760	1490	1330	1100	860	660	500
					36B	3-6 CL	40	3750	3230	2930	2590	2290	1990	1690	1500	1240	980	750	560
3/4"	C3/4-43	4-1/4" SQ.	32	.020	14B	1	18	1630	1400	1270	1120	990	860	730	650	540	420	330	240
					20B	1	24	1680	1440	1310	1160	1020	890	760	670	550	440	340	250
					20B	2-6 CL	24	2590	2230	2020	1790	1580	1370	1170	1040	850	670	520	390
					24B	1	28	1720	1480	1340	1190	1050	910	770	690	570	450	340	260
					24B	2-6 CL	28	2650	2280	2070	1830	1620	1400	1190	1060	870	690	530	400
					24B	3-6 CL	28	3050	2620	2380	2100	1860	1620	1370	1220	1010	790	610	460
					30B	1	34	1800	1550	1400	1240	1100	950	810	720	590	470	360	270
					30B	2-6 CL	34	2730	2350	2130	1880	1670	1450	1230	1090	900	710	550	410
					30B	3-6 CL	34	3140	2700	2450	2170	1920	1660	1410	1260	1040	820	630	470
					36B	1	40	1880	1620	1470	1300	1150	1000	850	750	620	490	380	280
					36B	2-6 CL	40	2810	2420	2190	1940	1710	1490	1260	1120	930	730	560	420
					36B	3-6 CL	40	3230	2780	2520	2230	1970	1710	1450	1290	1070	840	650	480
3/4"	C3/4-44	4-1/4" SQ.	40	.020	14B	1	18	1900	1630	1480	1310	1160	1010	860	760	630	490	380	290
					20B	1	24	2190	1880	1710	1510	1340	1160	990	880	720	570	440	330
					20B	2-6 CL	24	2950	2540	2300	2040	1800	1560	1330	1180	970	770	590	440
					24B	1	28	2290	1970	1790	1580	1400	1210	1030	920	760	600	460	340
					24B	2-6 CL	28	3000	2580	2340	2070	1830	1590	1350	1200	990	780	600	450
					24B	3-6 CL	28	3420	2940	2670	2360	2090	1810	1540	1370	1130	890	680	510
					30B	1	34	2490	2140	1940	1720	1520	1320	1120	1000	820	650	500	370
					30B	2-6 CL	34	3260	2800	2540	2250	1990	1730	1470	1300	1080	850	650	490
					30B	3-6 CL	34	3720	3200	2900	2570	2270	1970	1670	1490	1230	970	740	560
					36B	1	40	2680	2300	2090	1850	1630	1420	1210	1070	880	700	540	400
					36B	2-6 CL	40	3530	3040	2750	2440	2150	1870	1590	1410	1160	920	710	530
					36B	3-6 CL	40	4020	3460	3140	2770	2450	2130	1810	1610	1330	1050	800	600
3/4"	C3/4-45	4-1/4" SQ.	50	.020	14B	1	18	1950	1680	1520	1350	1190	1030	880	780	640	510	390	290
					20B	1	24	2230	1920	1740	1540	1360	1180	1000	890	740	580	450	330
					20B	2-6 CL	24	3012	2590	2350	2080	1840	1600	1360	1200	990	780	600	450
					24B	1	28	2400	2060	1870	1660	1460	1270	1080	960	790	620	480	360
					24B	2-6 CL	28	3185	2740	2480	2200	1940	1690	1430	1270	1050	830	640	480
					24B	3-6 CL	28	3600	3100	2810	2480	2200	1910	1620	1440	1190	940	720	540
					30B	1	34	2670	2300	2080	1840	1630	1420	1200	1070	880	690	530	400
					30B	2-6 CL	34	3480	2990	2710	2400	2120	1840	1570	1390	1150	900	700	520
					30B	3-6 CL	34	3930	3380	3070	2710	2400	2080	1770	1570	1300	1020	790	590
					36B	1	40	2930	2520	2290	2020	1790	1550	1320	1170	970	760	590	440
					36B	2-6 CL	40	3710	3190	2890	2560	2260	1970	1670	1480	1220	960	740	560
					36B	3-6 CL	40	4190	3600	3270	2890	2560	2220	1890	1680	1380	1090	840	630

Design Data

Correction Factor Chart for Non-Standard Mounting Heights

MOUNTING HEIGHT (Inches)	ENCLOSURE STYLE						
	BARE FIN ALL SIZES	FRONT OUTLET	FT (FRONT & TOP)		SLOPE		
			3 ¹ / ₄ " FINS	4 ¹ / ₄ " FINS	2 ³ / ₄ " FINS	3 ¹ / ₄ " FINS	4 ¹ / ₄ " FINS
40 or more	1.000	1.000	1.000	1.000	1.000	1.000	1.000
38	1.000	1.000	1.000	1.000	1.000	1.000	1.003
36	1.000	1.004	1.005	1.005	1.006	1.007	1.009
34	1.010	1.014	1.011	1.010	1.012	1.013	1.016
32	1.020	1.024	1.017	1.015	1.019	1.020	1.025
30	1.030	1.039	1.029	1.024	1.031	1.033	1.039
29	1.040	1.049	1.035	1.029	1.038	1.040	1.045
28	1.050	1.059	1.041	1.034	1.045	1.047	1.052
27	1.060	1.069	1.046	1.039	1.051	1.053	1.059
26	1.070	1.079	1.052	1.044	1.058	1.060	1.065
25	1.080	1.089	1.058	1.049	1.065	1.067	1.072
24	1.090	1.099	1.064	1.054	1.071	1.073	1.079
23	1.100	1.109	1.070	1.059	1.078	1.080	1.085
22	1.110	1.119	1.076	1.064	1.085	1.087	1.092
21	1.120	1.129	1.082	1.069	1.091	1.093	1.099
20	1.130	1.139	1.088	1.074	1.098	1.100	1.100
19	1.140	1.149	1.089	1.075	1.100	1.100	1.100
18 or less	1.150	1.150	1.089	1.075	1.100	1.100	1.100

TOP OUTLET "T" IS NOT AFFECTED.

The AHRI Ratings cataloged include the factor shown for the recommended mounting height.

If the unit is to be installed at a different height than that recommended, the AHRI Rating (except for Top Outlet) must be adjusted as follows: AHRI Rating multiplied by

Factor from Table Above
for actual mounting height

Factor from Table Above
for recommended mounting height

EXAMPLE: Corrected steam rating for
1 row C145 element in JVBF14 (14"
high enclosures) mounted 30" above
floor in lieu of the 18" recommended.

FORMULA:

Catalog Rating x $\frac{\text{Factor at 30" Height}}{\text{Factor at 18" Height}}$

SOLUTION: 1950 x $\frac{1.039}{1.150}$ = 1760 BTU/Hr.

DYNAMIC FORMULAS

BTU = GPM x 500 x TD

$$\text{GPM} = \left(\frac{\text{BTU}}{500} \right) \div \text{TD}$$

$$\text{TD} = \left(\frac{\text{BTU}}{500} \right) \div \text{GPM}$$

Design Data

COMMERCIAL FINNED TUBE RATING CORRECTION CHARTS

CATALOG FINNED TUBE RATINGS ARE BASED UPON THE FOLLOWING CONDITIONS:

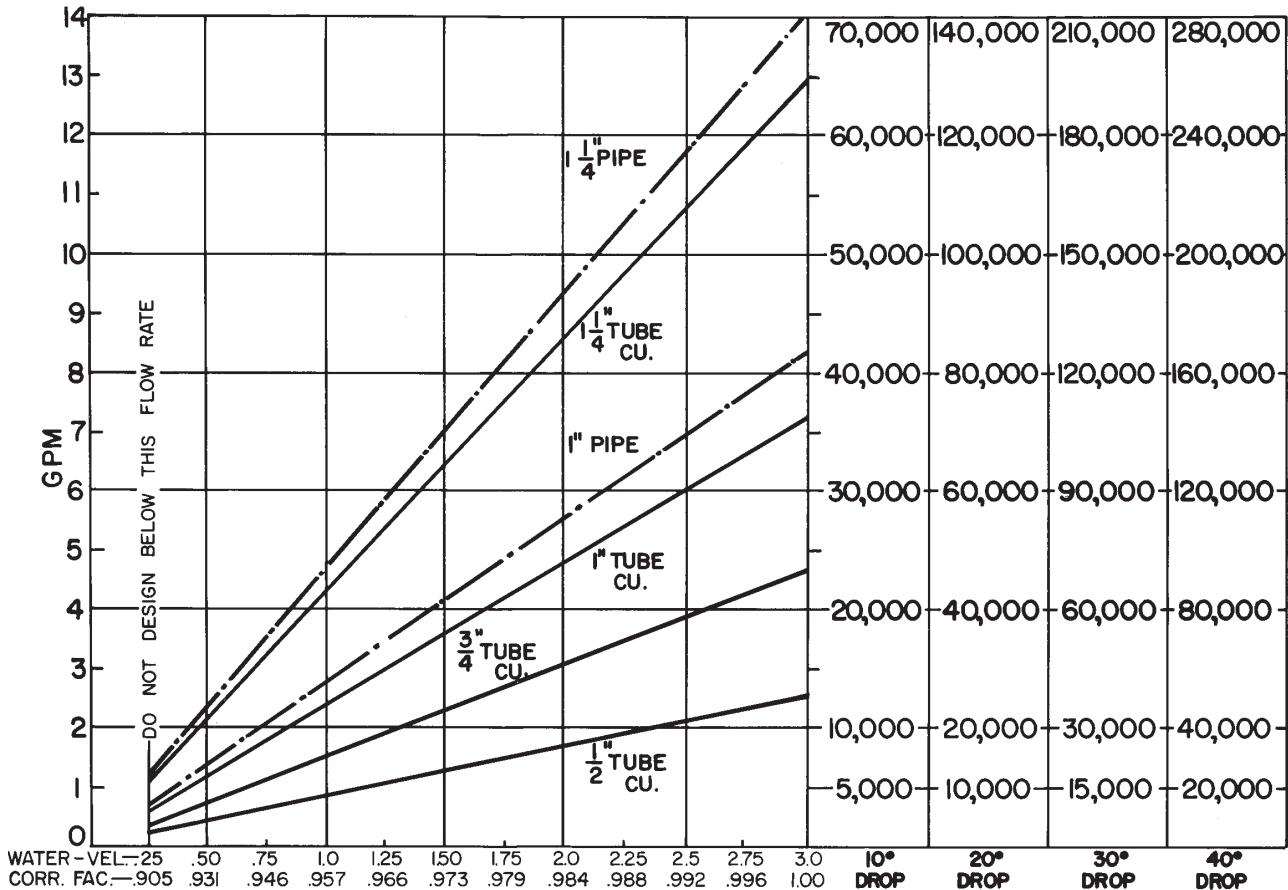
- 215°F AVERAGE WATER OR STEAM TEMPERATURE
- 65°F ENTERING AIR TEMPERATURE
- 3 FEET PER SECOND WATER FLOW RATE
- CATALOG MOUNTING HEIGHT

USE THE FOLLOWING CALCULATION WITH CORRECTION FACTORS FOR JOB CONDITIONS TO DETERMINE CORRECTED RATING:

$$\text{CORRECTED RATING} = (\text{215°F CATALOG RATING}) \times \left(\frac{\text{CORRECTION FACTOR FOR STEAM OR WATER AND AVERAGE AIR TEMP.}}{\text{CORRECTION FACTOR FOR MOUNTING HTG.-SEE CATALOG RATING}} \right) \times \left(\frac{\text{CORRECTION FACTOR FOR FLOW RATE}}{\text{CORRECTION FACTOR FOR MOUNTING HTG.-SEE CATALOG RATING}} \right)$$

USE THE FOLLOWING CHARTS TO SELECT CORRECTION FACTORS

CHART/WATER VEL./CORR. FACTOR / PRESS. DROP/TOTAL BTU.

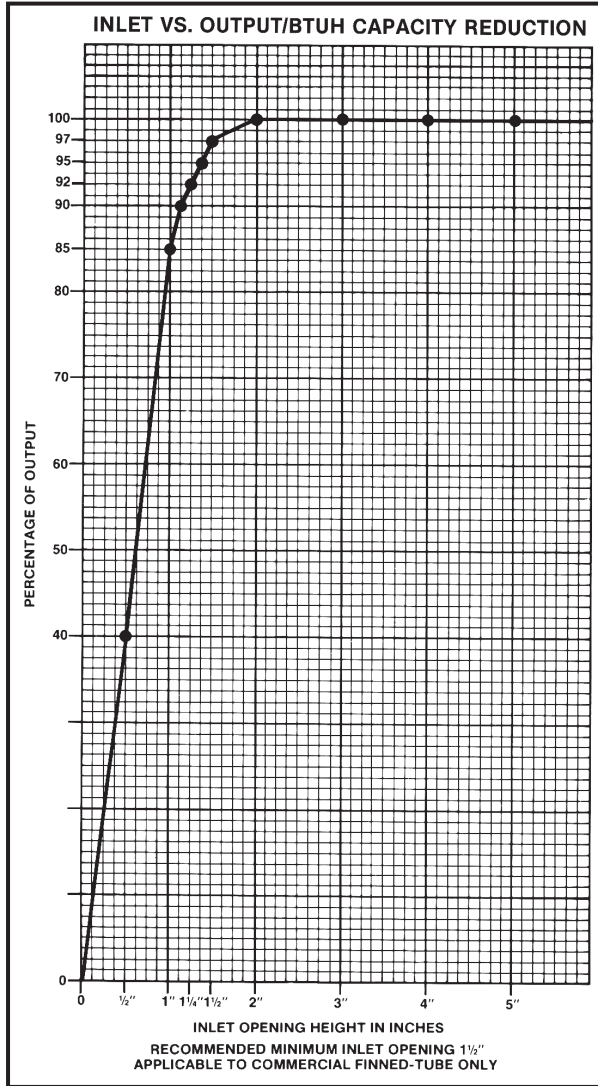


1/2" COP. ALUM.	.180	.233	.333	.533	.916											
3/4" COP. ALUM.	.5	.75	1.125	1.5	2.25	3.16	4.5	6.25								
1" COP. ALUM.	.233	.41	.615	.83	1.245	1.83	2.615	3.66								
1" PIPE	.37	.637	.974	1.341	1.974	2.801	3.974	5.480								
1 1/4" COP. ALUM.	.16	.263	.395	.557	.808	1.133	1.58	2.26	3.16	4.41	6.03	8.16				
1 1/4" PIPE	.09	.151	.226	.315	.441	.603	.816	1.116	1.516	2.016	2.716	3.616				

PRESSURE DROP PER 100 LINEAR FT., IN FEET OF HEAD

Design Data

INLET AIR CORRECTION FACTOR



GUARANTEED WORKING PRESSURES

- 1" IPS — 780 AT TEMPERATURES UP TO 650°F.
- 1 1/4" IPS — 660 AT TEMPERATURES UP TO 650°F.
- 2" IPS — 405 AT TEMPERATURES UP TO 650°F.
- 1 1/4" CU — 194 AT TEMPERATURES UP TO 300°F.
- 1" CU — 204 AT TEMPERATURES UP TO 300°F.
- 3/4" CU — 218 PSI AT TEMPERATURES UP TO 300°F.

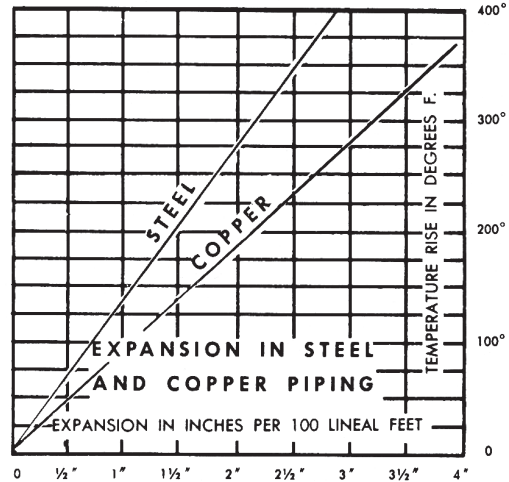
MAXIMUM PRESSURES AT OTHER TEMPERATURES ARE AVAILABLE UPON REQUEST.

RATE OF PITCH FOR STEAM 1/2" DROP OVER 20 FT. RUN.

PIPE WATER CAPACITIES AND QUANTITIES CIRCULATED AT VELOCITY OF 3* FEET PER SECOND			
Pipe Size	Gals. Per Linear Ft.	Gals./Min. @ 3' Sec. Vel.*	Lbs./Hr. @ 3' Sec. Vel.*
1/2"	.016	2.88	1440
3/4"	.023	4.14	2070
1"	.040	7.20	3600
1 1/4"	.063	11.34	5660
1 1/2"	.102	18.36	9160
2"	.170	30.60	15300
2 1/2"	.275	49.50	24850
3"	.390	70.20	35000

*3 Ft./Sec. Velocity is Basic for Hot Water Rating Factors Shown on this Page.

$$\text{VELOCITY FT./SEC.} = \frac{\text{LBS. PER HOUR}}{(\text{GALS. PER FT.}) (3600) (8.3)}$$



GLYCOL CORRECTION FACTORS

Fluid Temperature 200°F

% Solution	Ethylene Glycol	Propylene Glycol
20	.952	.988
30	.921	.968
40	.888	.943
50	.852	.912

Fluid Temperature 180°F

% Solution	Ethylene Glycol	Propylene Glycol
20	.946	.982
30	.913	.961
40	.879	.934
50	.842	.902

Fluid Temperature 140°F

% Solution	Ethylene Glycol	Propylene Glycol
20	.934	.97
30	.898	.946
40	.861	.916
50	.821	.881

ALTITUDE FACTORS

Approximate factors for convective heat value at varying altitudes

Altitude	Ferrous Units	Copper Alum. Units
Sea Level	1.000	1.000
1,000 ft.	.984	.969
2,000 ft.	.968	.938
3,000 ft.	.952	.908
4,000 ft.	.936	.878
5,000 ft.	.920	.850
6,000 ft.	.904	.822
7,000 ft.	.889	.795
8,000 ft.	.874	.768
9,000 ft.	.859	.743
10,000 ft.	.844	.718
15,000 ft.	.771	.603
20,000 ft.	.703	.502

Design Data

CORRECTION FACTORS FOR STEAM PRESSURES AND AIR TEMPERATURES OTHER THAN STANDARD

STEAM		ENTERING AIR TEMPERATURE, °F														
Pressure		Temp.			STD											
Gauge	Abs. Psi	°F	45	55	65	70	75	80	85	90	100	110	120	130	140	150
(Vac) 15" Hg	7.32	178.9	0.90	0.80	0.70	0.65	0.60	0.56	0.51	0.45	0.39	0.32	0.25	0.18	0.13	0.08
(Vac) 10"	9.78	192.2	1.02	0.91	0.81	0.76	0.71	0.66	0.62	0.55	0.48	0.40	0.33	0.26	0.20	0.14
(Vac) 5"	12.25	202.9	1.11	1.00	0.90	0.85	0.79	0.75	0.70	0.63	0.56	0.48	0.40	0.33	0.27	0.20
(Vac) 0 Psi	14.696	212.0	1.19	1.09	0.97	0.92	0.87	0.82	0.77	0.70	0.63	0.54	0.46	0.38	0.31	0.25
▶ .899	15.595	215.0	1.22	1.11	1.00	0.95	0.90	0.84	0.80	0.75	0.65	0.57	0.48	0.40	0.33	0.26
5	19.70	227.1	1.34	1.22	1.11	1.05	1.00	0.95	0.90	0.81	0.75	0.66	0.57	0.49	0.41	0.34
10	24.70	239.4	1.45	1.33	1.22	1.17	1.11	1.05	1.00	0.91	0.85	0.75	0.66	0.58	0.50	0.42
15	29.70	249.8	1.55	1.43	1.31	1.26	1.20	1.14	1.09	1.00	0.94	0.84	0.75	0.66	0.57	0.49
20	34.70	258.8	1.63	1.52	1.40	1.33	1.28	1.23	1.17	1.07	1.02	0.92	0.82	0.73	0.64	0.55
25	39.70	266.8	1.71	1.59	1.47	1.41	1.36	1.30	1.25	1.15	1.09	0.98	0.89	0.80	0.71	0.62
30	44.70	274.0	1.78	1.66	1.54	1.48	1.42	1.37	1.31	1.21	1.15	1.05	0.95	0.85	0.76	0.68
40	54.70	286.7	1.91	1.79	1.66	1.61	1.54	1.49	1.43	1.32	1.27	1.16	1.06	0.97	0.87	0.78
50	64.70	297.7	2.02	1.90	1.77	1.71	1.65	1.60	1.54	1.42	1.37	1.26	1.16	1.06	0.96	0.87
60	74.70	307.3	2.10	2.00	1.87	1.81	1.75	1.69	1.63	1.51	1.47	1.35	1.25	1.15	1.05	0.95
70	84.70	316.0	2.20	2.09	1.95	1.89	1.83	1.77	1.71	1.59	1.55	1.44	1.33	1.23	1.12	1.03
80	94.70	323.9	2.27	2.17	2.03	1.97	1.91	1.85	1.80	1.69	1.63	1.52	1.41	1.31	1.20	1.10
90	104.70	331.2	2.36	2.24	2.11	2.05	1.98	1.93	1.87	1.74	1.70	1.59	1.48	1.38	1.28	1.17
100	114.70	337.9	2.43	2.31	2.18	2.11	2.05	2.00	1.94	1.81	1.77	1.65	1.54	1.44	1.33	1.23
125	139.70	352.9	2.59	2.47	2.33	2.27	2.21	2.16	2.10	1.96	1.92	1.80	1.69	1.59	1.48	1.38
150	164.70	365.9	2.73	2.62	2.47	2.43	2.35	2.29	2.23	2.08	2.05	1.94	1.82	1.72	1.61	1.51
175	189.70	377.4	2.86	2.74	2.60	2.54	2.47	2.41	2.35	2.21	2.17	2.05	1.95	1.85	1.73	1.63
200	214.70	387.8	2.95	2.85	2.71	2.63	2.58	2.52	2.47	2.31	2.29	2.17	2.06	1.96	1.84	1.75

From Keenan and Keyes — Linear Interpolation.

Note: Gauge pressure should be corrected for altitude.

CORRECTION FACTORS FOR WATER TEMPERATURES AND AIR TEMPERATURES OTHER THAN STANDARD

AVERAGE WATER TEMP. °F	ENTERING AIR TEMPERATURE, °F														
	45	55	STD	70	75	80	85	90	95	100	110	120	130	140	150
90	.19	.13	.11	.06											
100	.25	.19	.15	.11	.08	.06									
110	.31	.25	.20	.16	.13	.11	.08	.06							
120	.38	.31	.26	.21	.19	.16	.13	.11	.08	.06					
130	.45	.38	.33	.28	.25	.21	.19	.16	.13	.11	.06				
140	.53	.45	.40	.34	.31	.28	.25	.21	.19	.16	.11	.06			
150	.61	.53	.45	.41	.38	.34	.31	.28	.25	.21	.16	.11	.06		
160	.69	.61	.53	.49	.45	.41	.38	.34	.31	.28	.21	.16	.11	.06	
170	.77	.69	.61	.57	.53	.49	.45	.41	.38	.34	.28	.21	.16	.11	.06
180	.86	.77	.69	.65	.61	.57	.53	.49	.45	.41	.34	.28	.21	.16	.11
190	.95	.86	.78	.73	.69	.65	.61	.57	.53	.49	.41	.34	.28	.21	.16
200	1.05	.95	.86	.82	.77	.73	.69	.65	.61	.57	.49	.41	.34	.28	.21
210	1.14	1.05	.95	.91	.86	.82	.77	.73	.69	.65	.57	.49	.41	.34	.28
▶ 215 (STD.)	1.19	1.09	1.00	.95	.91	.86	.82	.77	.73	.69	.61	.53	.45	.38	.31
220	1.24	1.14	1.05	1.00	.95	.91	.86	.82	.77	.73	.65	.57	.49	.41	.34
230	1.34	1.24	1.14	1.09	1.05	1.00	.95	.91	.86	.82	.73	.65	.57	.49	.41
240	1.44	1.34	1.25	1.19	1.14	1.09	1.05	1.00	.95	.91	.82	.73	.65	.57	.49
250	1.55	1.44	1.34	1.29	1.24	1.19	1.14	1.09	1.05	1.00	.91	.82	.73	.65	.57
260	1.66	1.55	1.44	1.39	1.34	1.29	1.24	1.19	1.14	1.09	1.00	.91	.82	.73	.65
270	1.76	1.66	1.55	1.50	1.44	1.39	1.34	1.29	1.24	1.19	1.09	1.00	.91	.82	.73
280	1.87	1.76	1.66	1.60	1.55	1.50	1.44	1.39	1.34	1.29	1.19	1.09	1.00	.91	.82
290	1.99	1.87	1.76	1.71	1.66	1.60	1.55	1.50	1.44	1.39	1.29	1.19	1.09	1.00	.91
300	2.10	1.99	1.87	1.82	1.76	1.71	1.66	1.60	1.55	1.50	1.39	1.29	1.19	1.09	1.00

In the interest of product improvement, Sterling reserves the right to make changes without notice.