

INSTALLATION INSTRUCTIONS

"WIPE EDGE" CLASSIC COMMERCIAL FINNED TUBE RADIATION VA/VB-AR10LI

1. Determine quantities of enclosure and accessories required per wall or run. If installation is wall-to-wall, run backplate to within ½" of adjoining wall(s). If run ends with end cap, extend backplate beyond end of required enclosure 1-1/2" for 4" end and 6" for 8-3/8" end.
2. Mount backplate (full or partial) to wall at prescribed height (Refer to Submittal Drawing) making sure that it is straight and level. If valve compartments are being used, make sure that an equivalent amount of backplate is installed.
3. Install extruded aluminum floor angle to the floor at the dimension out from the wall as shown on submittal drawing. The floor angle will run the full length of the run including enclosure and accessories.
4. **Hot Water Systems or Steam Systems (Two Pipe):** Wall mounted hangers are required to support the element only. Hot water systems do not require pitch for the element. Install two (2) wall mounted hangers per element length up to 6'-0" of length. Three (3) wall mounted hangers per element length 6'-6" up to 12'-6" (8'-0" for ¾" copper/aluminum) of length. (Accessories do not require brackets). Secure hangers to wall using fasteners (as specified) by others. For two pipe steam systems, the wall mounted hangers must be located so the supply end starts at the highest point and pitches down at a rate of ½ inch per 20 foot run.
5. Lay out heating element as required. Place slide cradle onto the bottom of element at each bracket location. The element cradle has two legs that angle out slightly. Position the legs between the fins so there is tension against the legs. This holds the cradle in position. Check submittal drawing for correct position of element fin. **For copper tube elements, flush the loop or series with system water after soldering to neutralize the remaining flux material and prevent corrosive action and resulting pinhole leaks.**
6. Install underlapping accessories as indicated on room schedule. All accessories are underlapping and extend under the enclosure up to 3-1/2 inches at each end. Valve Compartments are installed the same as enclosure. The top back bend is slipped between the wall and the backplate. The accessory bottom returns back to the wall and acts as a locator for the accessory.
7. The enclosure can now be installed. Start enclosure at left end of run working clockwise. The enclosure grille support gussets mount directly into the 'V' bend of backplate. Slip the bottom edge of the enclosure front panel into the receiving slot of the extruded aluminum floor angle. The enclosure can be secured to the floor angle if desired with fasteners by others.

MAINTENANCE

Before each heating season, remove accessories and enclosure panel to inspect finned tube elements for accumulation of dust or other debris that may accumulate and block airflow between fins. Remove dust and debris from coil fins with a vacuum cleaner or compressed air. Inspect for leaks or areas of corrosion. It should not be required, but if necessary, place a drop of lubricant (machine oil) onto each ball bearing (where applicable) located in the water brackets or bracket mounted hangers. Replace cover and accessories.

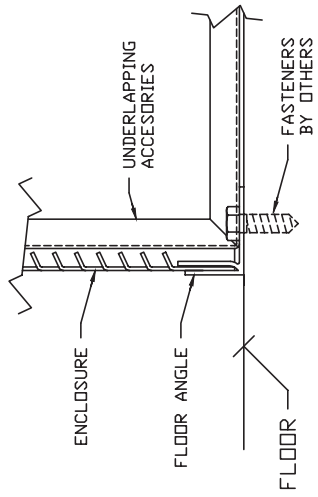
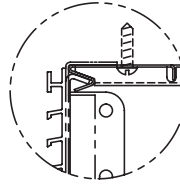
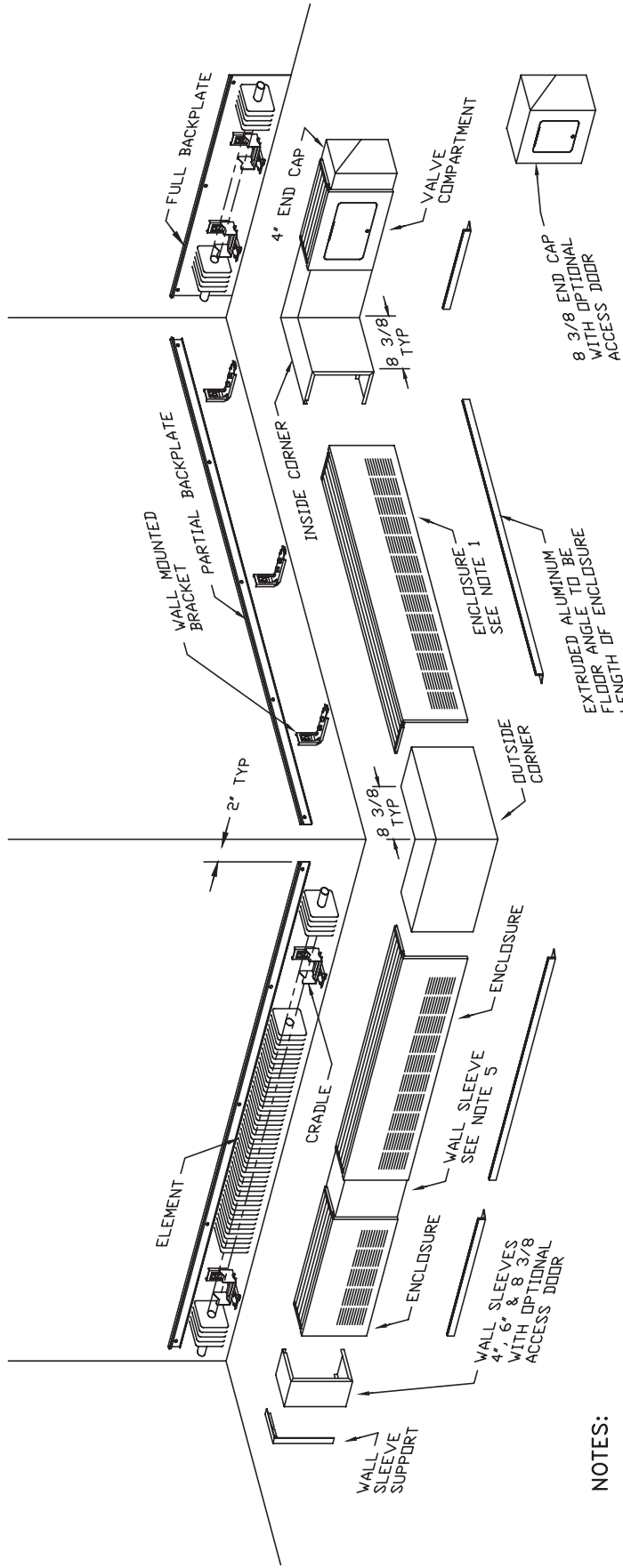


STERLING
COMMERCIAL HYDRONIC PRODUCTS

260 North Elm St., Westfield, MA 01085 Tel: (413) 564-5535 Fax: (413) 562-8437
www.sterlingheat.com

 A MESTEK COMPANY

GENERAL LAYOUT



NOTES:

1. ENCLASURE SECTIONS AVAILABLE IN FOLLOWING STANDARD LENGTHS:
2' THRU 8' IN 6" INCREMENTS.
CONSULT FACTORY FOR SPECIAL LENGTHS.
2. SCHEDULE ENCLASURE TO OVERLAP ACCESSORIES 1" TO 3". BACKPLATE MUST COVER AT LEAST THIS PORTION OF WALL FOR HANGING ACCESSORIES. HOWEVER, IT MAY EXTEND BEYOND THE ENCLASURE.
3. WHEN AN END IS USED FOR SHORT - OF - WALL INSTALLATIONS THE BACKPLATE CAN NOT EXTEND MORE THAN 1/2".
4. BRACKETS MAY EXTEND TO FLOOR (IF REQ'D ON INSTALLATION). INSTALLATION DETAILS MAY VARY.
5. WALL SLEEVES MAY BE AT ENDS OR PLACED IN RUN FOR BI-DIMENSIONAL MAKE-UP.
6. FOR DAMPER INSTALLATION SEE DAMPER INSTRUCTION SHEET.

CAT-72548A