

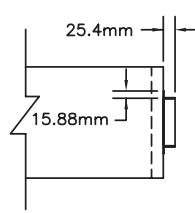
CABINET UNIT HEATER SUBMITTAL DATA

CBS-A-15M

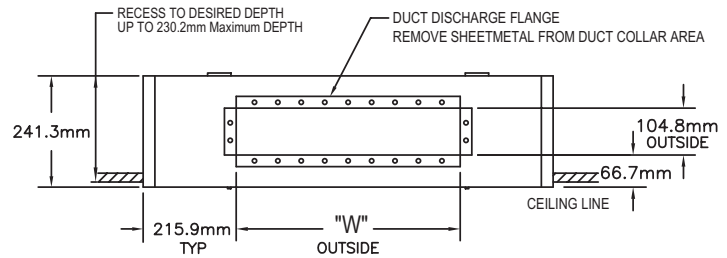
Accessories - Metric

DUCT COLLAR INLET AND DISCHARGE

SIZE	DIM "W"
02	460.4mm
03	663.6mm
04	765.2mm
06	1070.0mm
08	1120.8mm
10	1247.8mm
12	1425.6mm
14	1730.4mm



SIDE VIEW

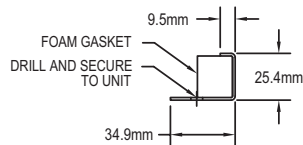


END VIEW

□ Option 114

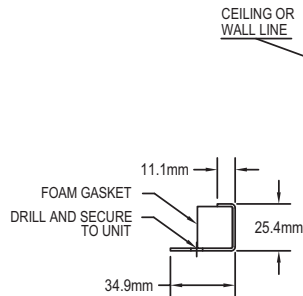
WALL SEALS

SIZE	DIM "L"
02	889.0mm
03	1092.2mm
04	1193.8mm
06	1498.6mm
08	1549.4mm
10	1676.4mm
12	1854.2mm
14	2159.0mm



SECTION "A"- "A"

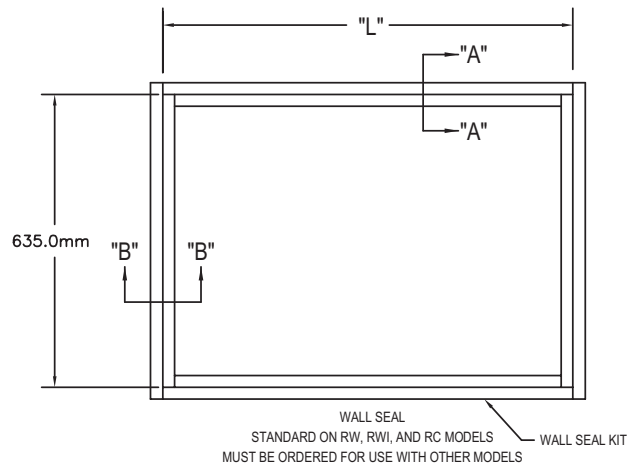
WALL SEAL PIECES ARE ATTACHED TO UNIT AFTER UNIT RECESS DEPTH IS DETERMINED.



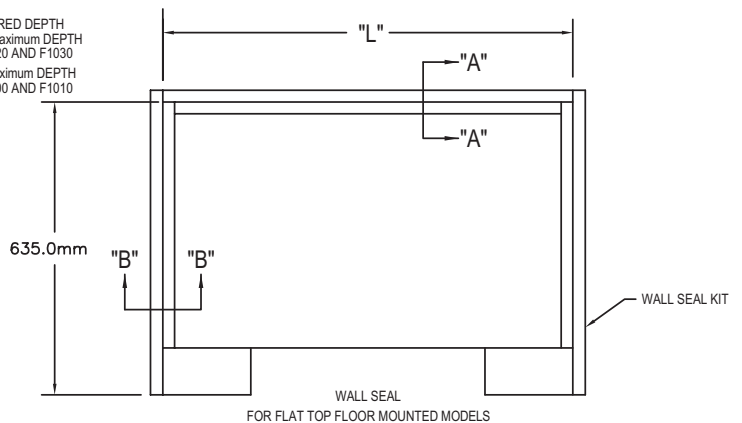
SECTION "B"- "B"

CEILING OR WALL LINE

RECESS TO DESIRED DEPTH UP TO 230.2mm Maximum DEPTH



□ Option 126B



□ Option 126A

PROJECT: _____
 LOCATION: _____
 ARCHITECT: _____
 ENGINEER: _____
 CONTRACTOR: _____
 PO NUMBER: _____
 DATE: _____

CAT00209B



260 NORTH ELM STREET / WESTFIELD, MA 01085
 TEL: (413) 568-9571 FAX: (413) 562-8437
 www.sterlingheat.com



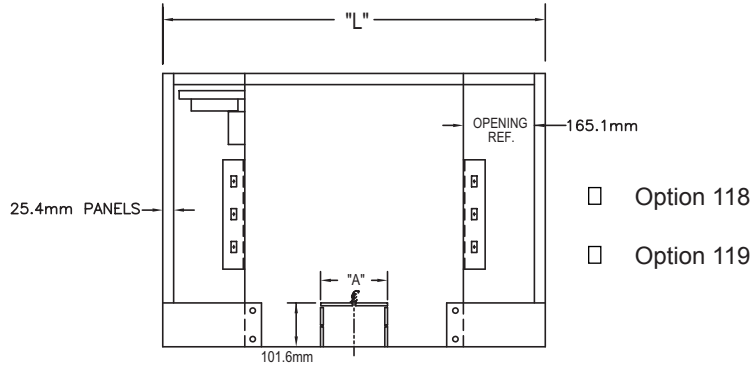
CABINET UNIT HEATER SUBMITTAL DATA

CBS-A-15M

Accessories - Metric

FRESH AIR INLET

SIZE	DIM "A"	DIM "L"
02	155.6mm	889.0mm
03	155.6mm	1092.2mm
04	155.6mm	1193.8mm
06	269.9mm	1498.6mm
08	269.9mm	1549.4mm
10	269.9mm	1676.4mm
12	422.3mm	1854.2mm
14	422.3mm	2159.0mm



REAR VIEW
 FRESH AIR INLET
 OPENING IN INTERNAL CABINET
 KNOCKED OUT WHEN REQUIRED
 Option 118 and 119



STERLING
 COMMERCIAL HYDRONIC PRODUCTS

260 NORTH ELM STREET / WESTFIELD, MA 01085
 TEL: (413) 568-9571 FAX: (413) 562-8437
www.sterlingheat.com

