



CUH Coil Reversal Procedure:

Disconnect power from the Cabinet Unit Heater (CUH).

Remove the CUH front panel.

Open the electrical junction box located in the end compartment and disconnect the motor and speed control wiring.

Pull the motor wiring back into the center section of the unit.

Remove the speed control bracket and the junction box.

Loosen the coil width adjustment screws. Remove the coil bolts (2 per end support bracket).

Remove the coil. (Note if this is a two row coil, the motor board and top panel may have to be removed prior to the removal of the coil.)

Close off unused coil stub holes in internal chassis. Remove knockouts on internal chassis for opposite hand pipe stub locations.

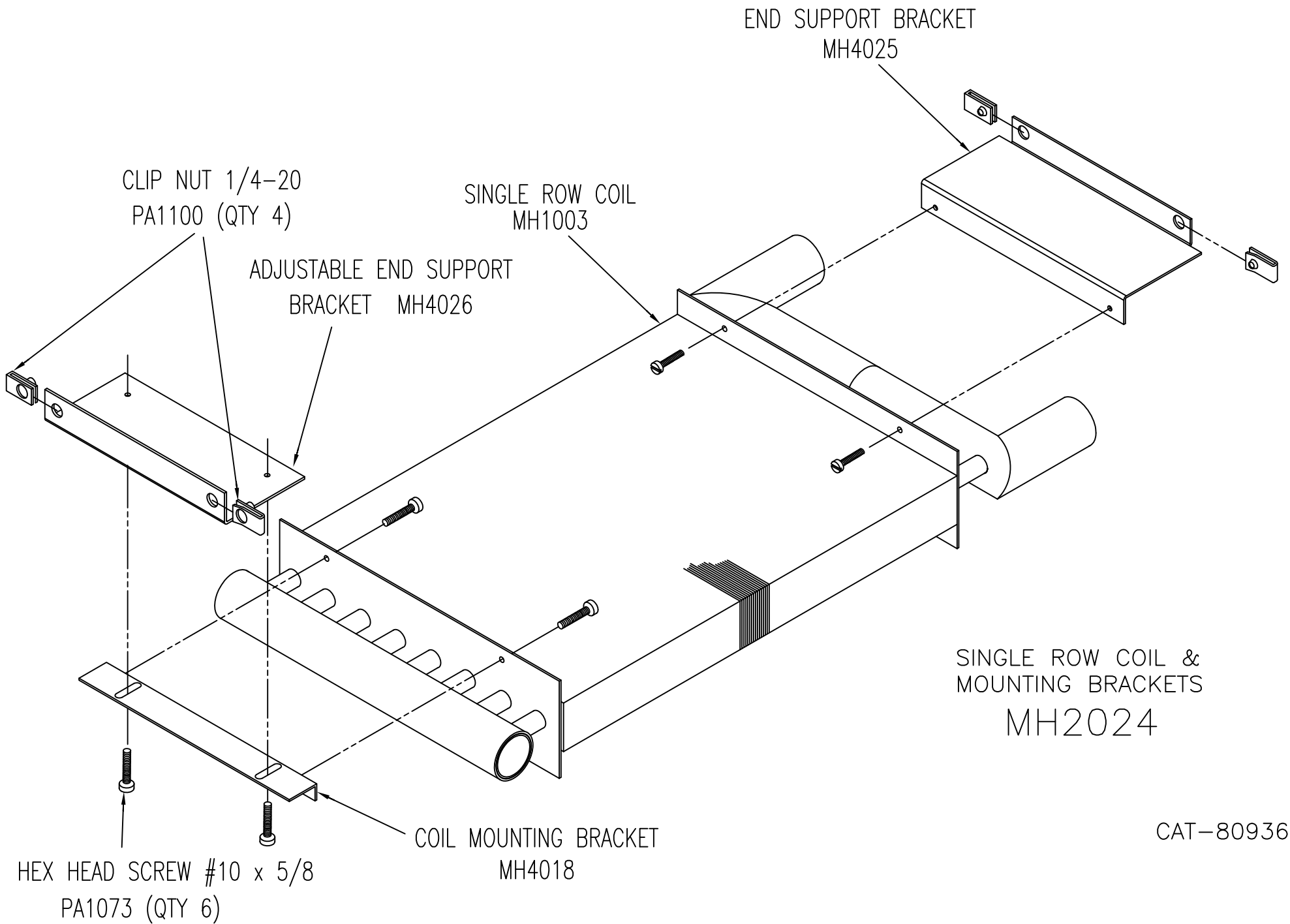
Re-install the coil with the connections in the opposite end compartment. Tighten screws and bolts.

Re-install the junction box and speed control assembly in the end compartment opposite the coil stubs.

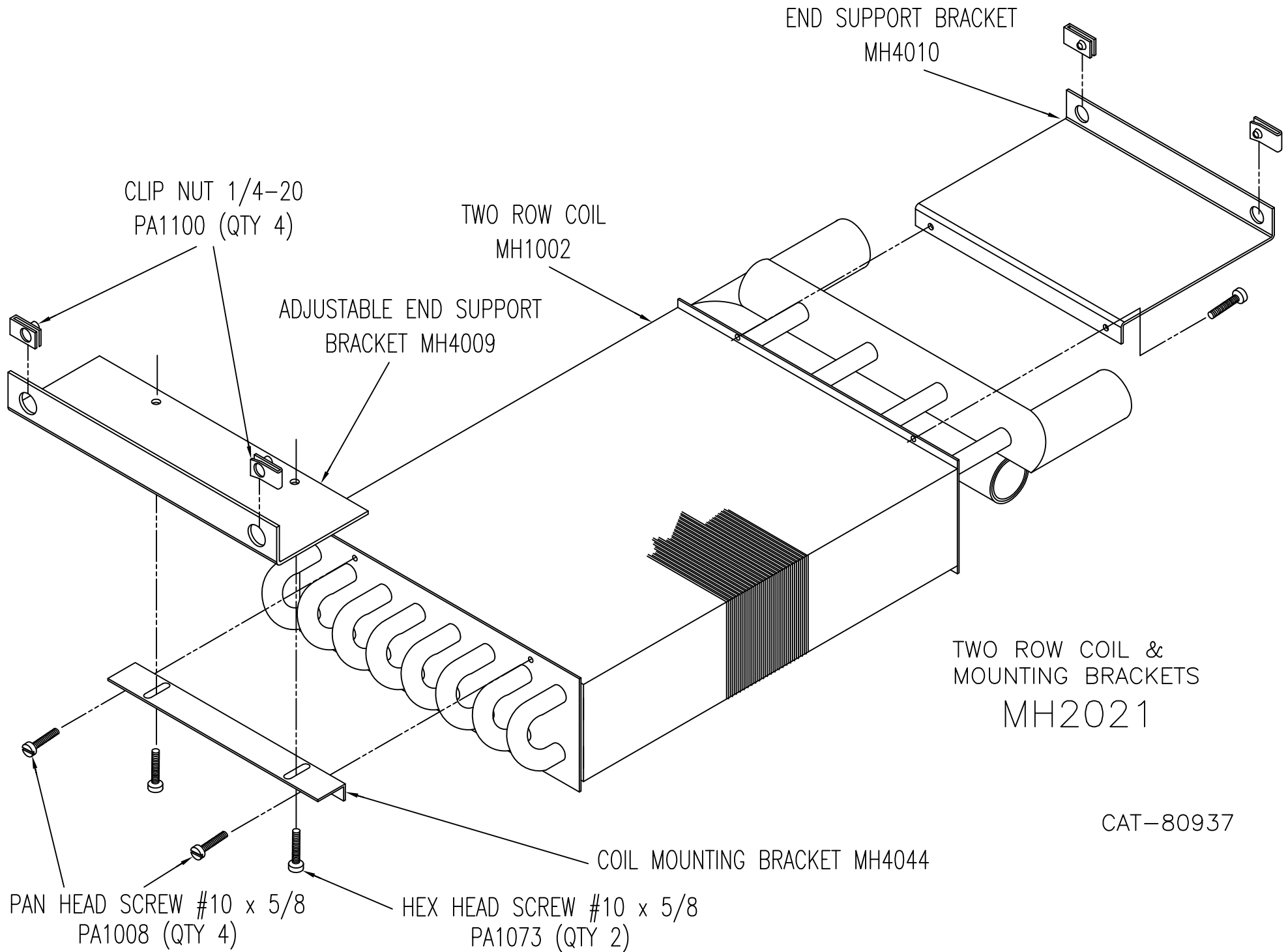
Re-route the motor wires to the junction box and reconnect wires as they originally were (per schematic).

Close the junction box and replace the front panel.

See exploded view of coils and associated parts on next page.



CAT-80936



CAT-80937