

Horizontal Hydronic Fan Coil

STANDARD FEATURES

- J+ Advanced Control
- 2 Line Display for Easier Setup
- High Efficiency EC Integrated Motor/Blower Assembly
- 6-Row Copper/Aluminum Coil
- Sweat-Type Connections
- 24V 50/60hz Transformer
- Slide Out Blower
- Insulated Cabinet
- Float Switch
- Condensate Trap
- Mold Resistant Primary Drain Pan



Capacity	Model	WCS2430JH0MB		WCS3642JH0MB		WCS4860JH0MB	
	Tons	2	2.5	3	3.5	4	5
	CFM @ 1.2" W.C	440	550	660	850	880	1150
Dimensions	Height	14-1/8"					
	Width	24-1/4"		33-1/4"		43-1/4"	
	Length	29-3/8"					
	Ship Weight (lbs)	105		126		144	
Connections	Water Out (Top)	7/8" NPT					
	Water In (Bottom)	7/8" NPT					
	Cond Drain (NPT)	3/4"					
	Return Dia.	15"		19"		24"	
Coil	Rows	6					
	Medium	Water/Glycol					
Motor	H.P.	3/4					
	Type	EC					
	Wheel Dia & Width	10/6"					
Electrical Data	Volts*	230/115					
	Ph	1					
	Hz**	50/60					
	F.L Amps @ 230V	2.8		3.8		5.3	
	F.L. Amps @ 115V	5.6		7.6		10.6	
	QTY						

*Units are shipped standard @230v. Field conversion kit provided for 115v supply voltage
 **Unit transformer and motor are capable of 50 or 60hz



260 North Elm St., Westfield, M 01085
 (800) 465-8558 Fax: (413) 564-5815

7555 Tranmere Drive, Mississauga, ONT. L5S 1L4 Canada
 (905) 670-5888 Fax: (905) 670-5782

www.spacepak.com

PROJECT: _____ DATE: _____

LOCATION: _____

CUSTOMER: _____

ENGINEER: _____

SUBMITTED BY: _____

FOR: Reference Approval Construction

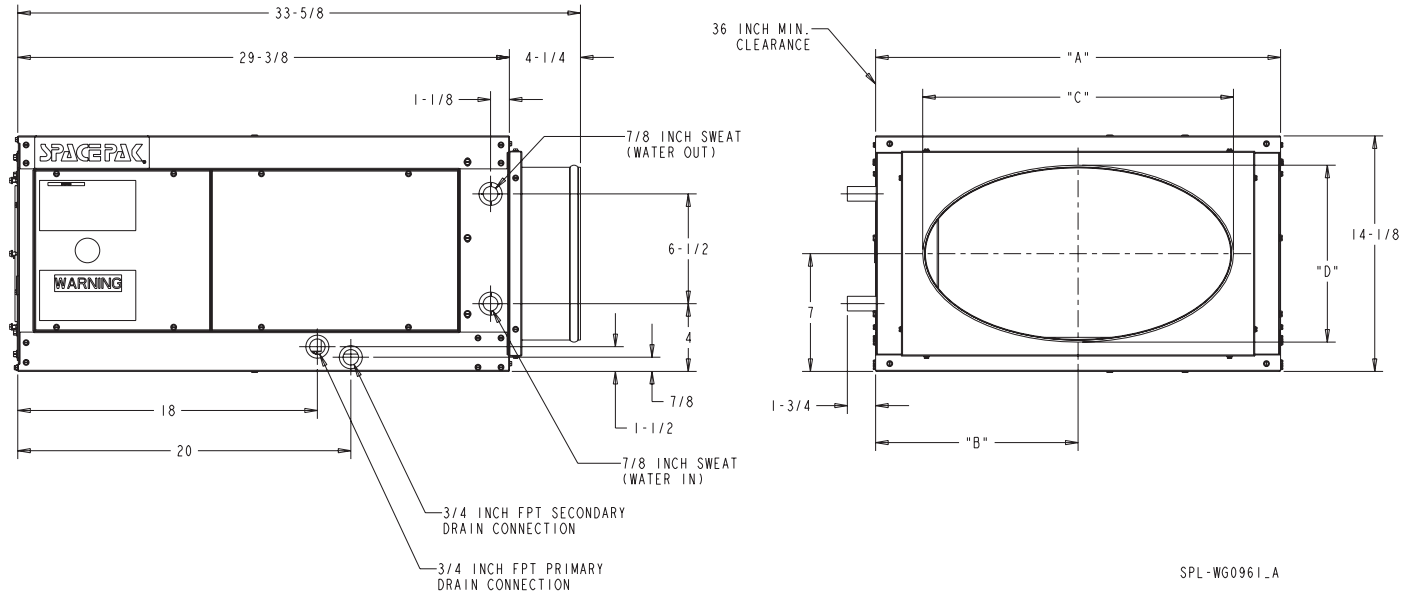
UNIT DESIGNATION: _____

SCHEDULE NUMBER: _____

SUBMITTAL DATA: WCSP-J SERIES

Dimensional Data

Unit Dimensions and Clearance – (Inches)



SPL-WG0961_A

MODEL	A	B	C	D
WCSP-2430J	24-1/4"	12"	18-1/2"	10-1/2"
WCSP-3642J	33-1/4"	16-1/2"	25-3/4"	10"
WCSP-4860J	43-1/4"	21-1/2"	34-1/4"	10-1/4"