

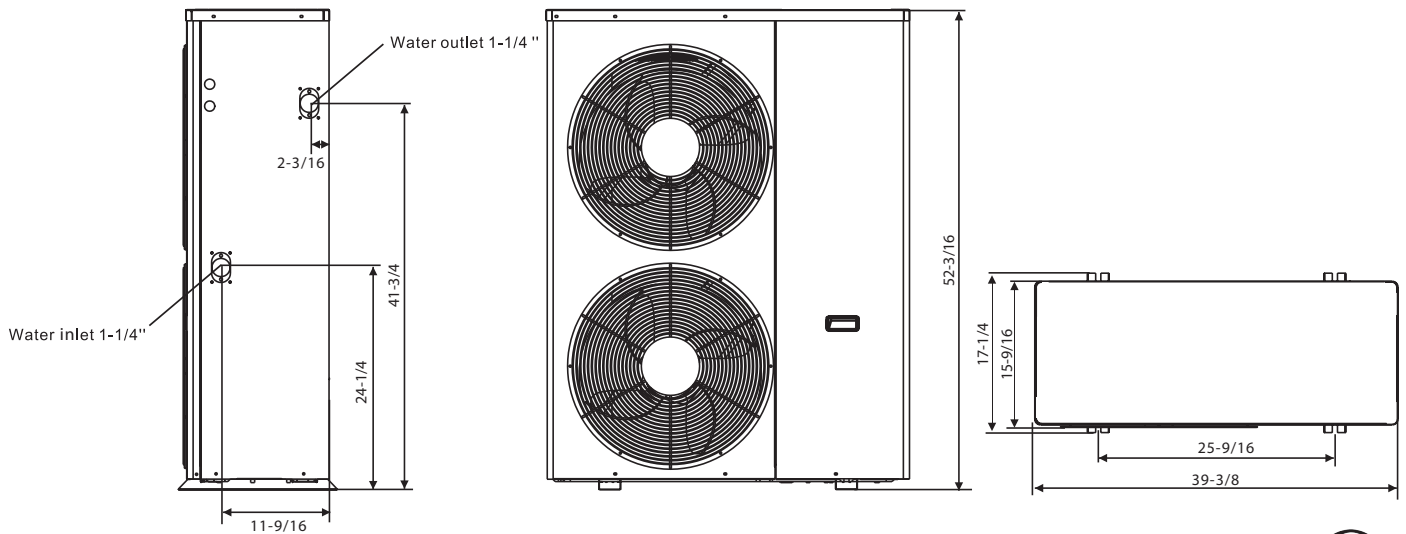
Solstice® Inverter Air-to-Water Heat Pump

FEATURES AND BENEFITS

- Supplies Low Temperature Water for Heating & Chilled Water for Cooling
- Reliable Toshiba EVI Inverter Compressor
- High Performance Heating in Cold Climates Extremes Down to -22°F
- 42-130°F Delivered Water Temperatures (Controls on Supply)
- Available in 4-ton model
- Domestic Hot Water Offset
- Monobloc Design (No On-Site Refrigerant Charging)
- Keeps All Refrigerant Outside the Occupied Space
- Freeze Protection
- Low Amp Draw with Ultra Quiet Operation
- Modbus Compatible
- User Friendly Advanced Color Touch Screen Control (24ga shielded 5 wire. Can be remote mounted up to 600ft)
- Precision Temperature Control Platform
- Inverter Driven Fan Motors
- Eligible for Rebates
- **Industry Leading 10-Year Compressor Warranty & 5-Year Parts Warranty for Certified Contractors**



ILAHP DIMENSIONS (INCHES)



SPACE PAK®

260 North Elm St., Westfield, MA 01085
(800) 465-8558

7555 Tranmere Drive, Mississauga, ONT. L5S 1L4 Canada
(905) 670-5888

www.spacepak.com

PROJECT: _____ DATE: _____

LOCATION: _____

CUSTOMER: _____

ENGINEER: _____

SUBMITTED BY: _____

FOR: Reference Approval Construction

UNIT DESIGNATION: _____

SCHEDULE NUMBER: _____

SUBMITTAL DATA: Heat Pump ILAHP

ILAHP SPECIFICATIONS

		Units	ILAHP
Cooling	Capacity Range	BTU/hr	24,226-63,466
	Efficiency Range	EER	7.26-10.41
	Delivered Water Temp Range	IPLV	18.4
	Ambient Temp Range	°F	42-77
Heating	Capacity Range	°F	5-109
	Efficiency Range	BTU/hr	15,354-63,807
	Delivered Water Temp Range	COP	1.64-5.41
	Ambient Temp Range	°F	59-130
CEC Data	Heating Capacity	°F	-22 - 109
	Cooling Capacity*	BTU/hr	45,424
	Cooling Efficiency*	EER	8.59
	Heating Capacity**	BTU/hr	53,214
	Heating Efficiency**	COP	2.78
	Heating Capacity***	BTU/hr	36,903
Electrical	Heating Efficiency***	COP	1.82
	Power	V/Ph/Hz	230/1/60
	Fan Motor	A	.8 (2)
	Compressor Motor	A	30
	MCA	A	45
	MOPD	A	50
Refrigerant	SCCR	kA	10
	Type		R410a
Fan	Factory Charge	lbs.	6.2
	Quantity		2
	Power Input	W	75
	Type		EC
Sound	Max Speed	RPM	750
	Range	dBA	47-57
Hydronic	Rated Flow	GPM	12
	Max Water Temp	°F	130
	Piping Connections	inch	1-1/4 NPT
	Rated Pressure Drop @ Rated Flow	PSI (ft W.C.)	12.8 (29.5)
Compressor	Type		Rotary Inverter, EVI
	Speed Range	Hz	30-90
	Brand		Toshiba
	Quantity		1
Dimensions	Net Dimensions (L x W x H)	inch	39 x 16 x 52
	Shipping Dimensions (L x W x H)	inch	42 x 17 x 53
	Net Weight	lbs.	349
	Shipping Weight	lbs.	388

CEC is California Energy Commission. Data is tested in accordance with AHRI 550/590

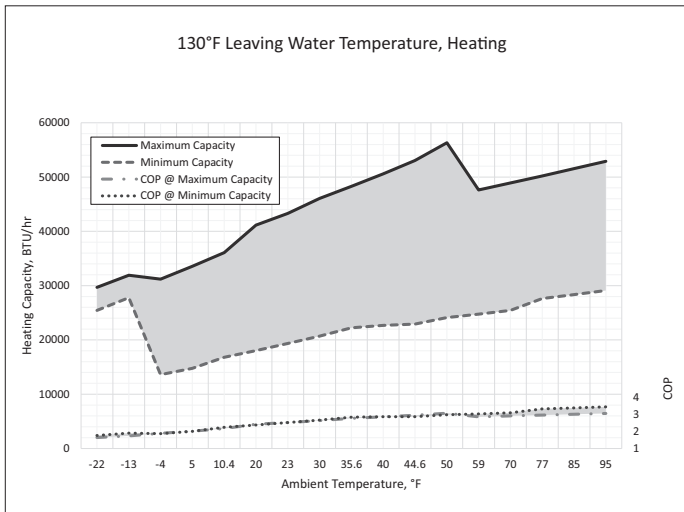
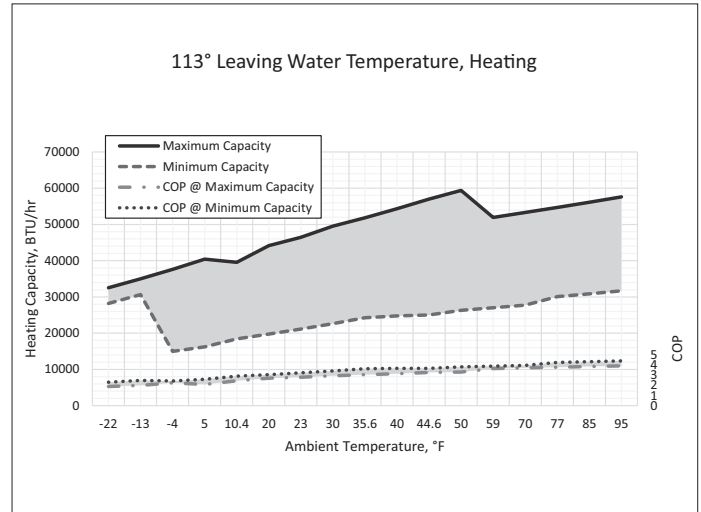
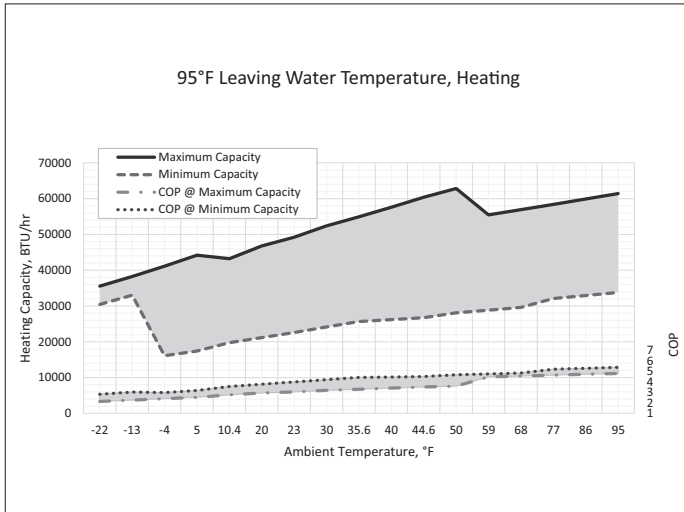
* = 44F LWT 54F EWT @10 GPM & 95F DB Ambient

** = 120F LWT 107F EWT @10 GPM & 47F DB Ambient

*** = 120F LWT 110F EWT @10 GPM & 17F DB Ambient

SUBMITTAL DATA: Heat Pump ILAHP

HEATING PERFORMANCE



COOLING PERFORMANCE

