

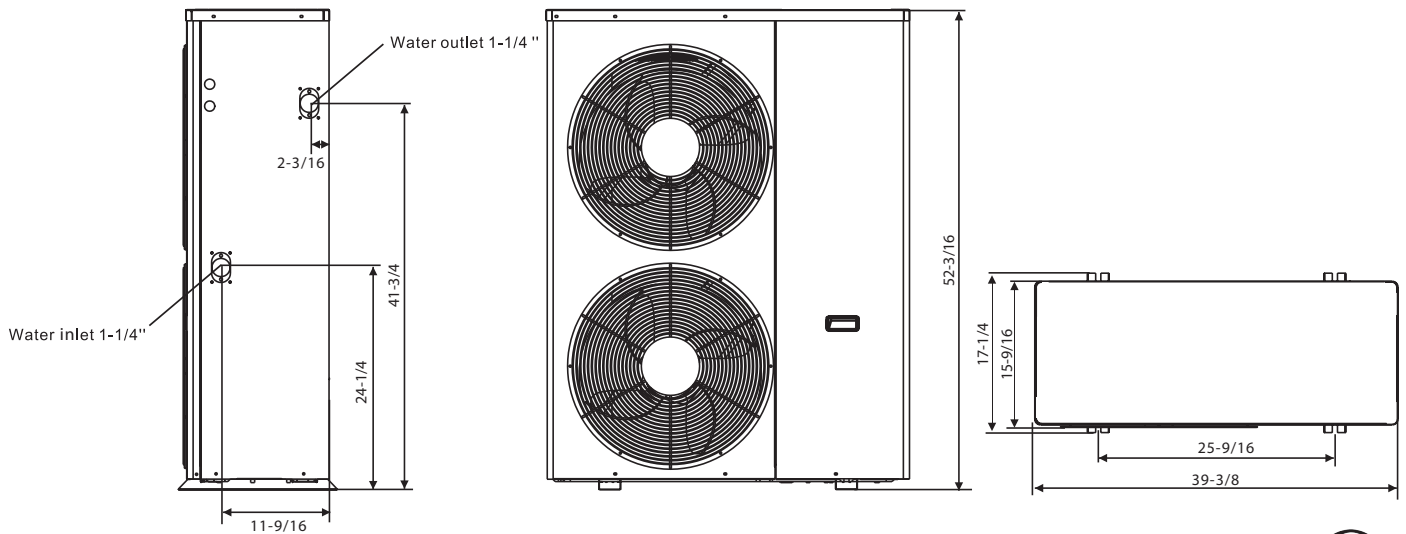
**Solstice® Inverter Air-to-Water Heat Pump**

**FEATURES AND BENEFITS**

- Supplies Low Temperature Water for Heating & Chilled Water for Cooling
- Reliable Toshiba EVI Inverter Compressor
- High Performance Heating in Cold Climates Extremes Down to -22°F
- 42-130°F Delivered Water Temperatures (Controls on Supply)
- Available in 4-ton model
- Domestic Hot Water Offset
- Monobloc Design (No On-Site Refrigerant Charging)
- Keeps All Refrigerant Outside the Occupied Space
- Freeze Protection
- Low Amp Draw with Ultra Quiet Operation
- Modbus Compatible
- User Friendly Advanced Color Touch Screen Control (24ga shielded 5 wire. Can be remote mounted up to 600ft)
- Precision Temperature Control Platform
- Inverter Driven Fan Motors
- Eligible for Rebates
- **Industry Leading 10-Year Compressor Warranty & 5-Year Parts Warranty for Certified Contractors**



**ILAHP DIMENSIONS (INCHES)**



**SPACE PAK®**

260 North Elm St., Westfield, MA 01085  
(800) 465-8558

7555 Tranmere Drive, Mississauga, ONT. L5S 1L4 Canada  
(905) 670-5888

www.spacepak.com

PROJECT: \_\_\_\_\_ DATE: \_\_\_\_\_

LOCATION: \_\_\_\_\_

CUSTOMER: \_\_\_\_\_

ENGINEER: \_\_\_\_\_

SUBMITTED BY: \_\_\_\_\_

FOR:  Reference  Approval  Construction

UNIT DESIGNATION: \_\_\_\_\_

SCHEDULE NUMBER: \_\_\_\_\_

# SUBMITTAL DATA: Heat Pump ILAHP

## ILAHP SPECIFICATIONS

|                  |                                 | Units         | ILAHP                    |
|------------------|---------------------------------|---------------|--------------------------|
| Cooling          | Capacity Range                  | BTU/hr        | 24,226-63,466            |
|                  | Efficiency Range                | EER           | 7.26-10.41               |
|                  | Efficiency                      | IPLV          | 18.4                     |
|                  | Delivered Water Temp Range      | DegF          | 42-77                    |
|                  | Ambient Temp Range              | DegF          | 5-109                    |
| Heating          | Capacity Range                  | BTU/hr        | 15,354-63,807            |
|                  | Efficiency Range                | COP           | 1.64-5.41                |
|                  | Delivered Water Temp Range      | DegF          | 59-130                   |
|                  | Ambient Temp Range              | DegF          | -22 - 109                |
| CEC Data         | Cooling Capacity*               | BTU/hr        | 45,424                   |
|                  | Cooling Efficiency*             | EER           | 8.59                     |
|                  | Heating Capacity**              | BTU/hr        | 53,214                   |
|                  | Heating Efficiency**            | COP           | 2.78                     |
|                  | Heating Capacity***             | BTU/hr        | 36903                    |
|                  | Heating Efficiency***           | COP           | 1.82                     |
| Electrical       | Power                           | V/Ph/Hz       | 230/1/60                 |
|                  | Fan Motor                       | A             | .8 (2)                   |
|                  | Compressor Motor                | A             | 30                       |
|                  | MCA                             | A             | 45                       |
|                  | MOPD                            | A             | 50                       |
|                  | SCCR                            | kA            | 10                       |
| Refrigerant      | Type                            |               | R410a                    |
|                  | Factory Charge                  | lbs.          | 6.2                      |
|                  | Normal Pressure Low Side        | PSIG          | 145                      |
|                  | Normal Pressure High Side       | PSIG          | 435                      |
| Fan              | Quantity                        |               | 2                        |
|                  | Power Input                     | W             | 75                       |
|                  | Type                            |               | EC                       |
|                  | Max Speed                       | RPM           | 750                      |
| Sound (@3meters) | Range                           | dBA           | 47-57                    |
| Hydronic         | Rated Flow                      | GPM           | 10                       |
|                  | Max Water Temp                  | DegF          | 130                      |
|                  | Piping Connections              | inch          | 1-1/4 NPT                |
|                  | Rated Pressure Drop             | PSI (ft W.C.) | 12.8 (29.5)              |
| Compressor       | Type                            |               | GMCC Rotary Inverter EVI |
|                  | Speed Range                     | HZ            | 30-90                    |
|                  | Quantity                        |               | 1                        |
| Dimensions       | Net Dimensions (L x W x H)      | inch          | 39 x 16 x 52             |
|                  | Shipping Dimensions (L x W x H) | inch          | 42 x 17 x 53             |
|                  | Net Weight                      | lbs.          | 349                      |
|                  | Shipping Weight                 | lbs.          | 388                      |

CEC is California Energy Commission. Data is tested in accordance with AHRI 550/590

\* = 44F LWT 54F EWT @10 GPM & 95F DB Ambient

\*\* = 120F LWT 107F EWT @10 GPM & 47F DB Ambient

\*\*\* = 120F LWT 110F EWT @10 GPM & 17F DB Ambient

ILAHP Air-to-Water Heat Pumps modulate capacity based upon outlet water temperature. Temperatures shown above are delivered water temperature. Refer to the following performance charts to see the expected.

# SUBMITTAL DATA: Heat Pump ILAHP

## PERFORMANCE

