

**Vertical DX Fan Coil**

**STANDARD FEATURES**

- J+ Advanced Control
- 2 Line Display for Easier Setup
- High Efficiency EC Integrated Motor/Blower Assembly
- Mode Specific Adjustable Speed Control
- Heat Pump Compatible
- Chatleff Thermal Expansion Valve
- 6-Row Copper/Aluminum Evaporator Coil
- Slide Out Blower
- Sweat-Type Refrigerant Connections
- 24V 50/60hz Transformer
- Insulated Grey Cabinet
- Float Switch
- Mold Resistant Primary Drain Pan
- Anti-Vibration Foam Strips
- Stainless Steel Primary Drain Pan



Capacity	Model	ESP2430JV4MB		ESP3642JV4MB		ESP4860JV4MB	
	Tons	2	2.5	3	3.5	4	5
	CFM @ 1.2" W.C	440	550	660	850	880	1150
Dimensions	Height	33"					
	Width	24"		33"		43"	
	Length	16 1/8"					
	Ship Weight (lbs)	135		170		210	
Connections	Suction	7/8" ODF					
	Liquid	3/8" ODF					
	Cond Drain (NPT)	3/4"					
	Return Dia.	15"		19"		24"	
Coil	Rows	6					
	Refrigerant type	R410A					
Motor	H.P.	3/4					
	Type	EC					
	Wheel Dia & Width	10/6"					
Electrical Data	Volts*	230/115					
	Ph	1					
	Hz**	50/60					
	F.L Amps @ 230V	2.8		3.8		5.3	
	F.L. Amps @ 115V	5.6		7.6		10.6	
	QTY						

\*Units are shipped standard @230v. Field conversion kit provided for 115v supply voltage

\*\*Unit transformer and motor are capable of 50 or 60hz



260 North Elm St., Westfield, MA 01085  
(800) 465-8558 Fax: (413) 564-5815

7555 Tranmere Drive, Mississauga, ONT. L5S 1L4 Canada  
(905) 670-5888 Fax: (905) 670-5782

www.spacepak.com

PROJECT: \_\_\_\_\_ DATE: \_\_\_\_\_

LOCATION: \_\_\_\_\_

CUSTOMER: \_\_\_\_\_

ENGINEER: \_\_\_\_\_

SUBMITTED BY: \_\_\_\_\_

FOR:  Reference  Approval  Construction

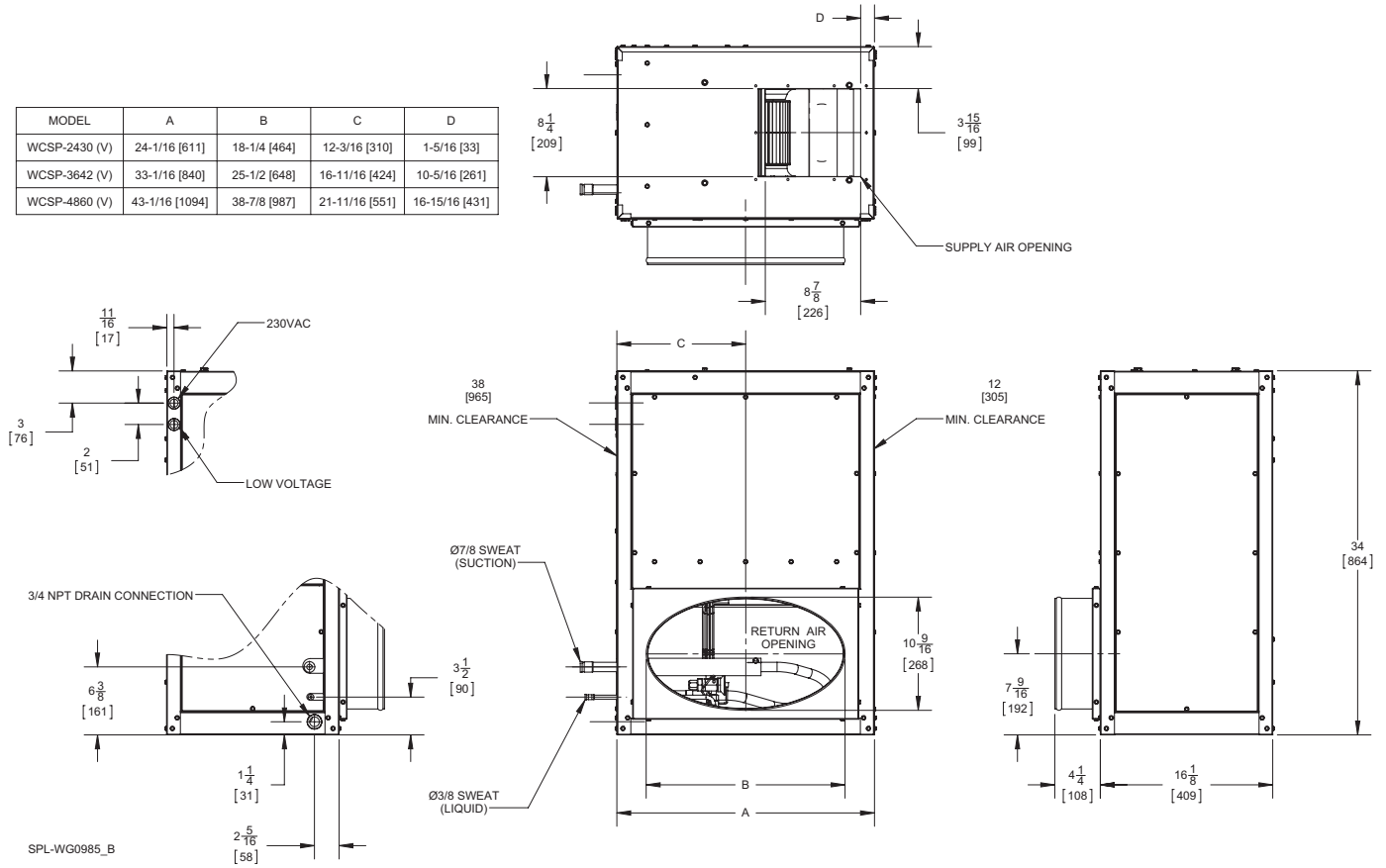
UNIT DESIGNATION: \_\_\_\_\_

SCHEDULE NUMBER: \_\_\_\_\_

# SUBMITTAL DATA: ESP-JV SERIES

## Dimensional Data – (Inches)

MODEL	A	B	C	D
WCSP-2430 (V)	24-1/16 [611]	18-1/4 [464]	12-3/16 [310]	1-5/16 [33]
WCSP-3642 (V)	33-1/16 [840]	25-1/2 [648]	16-11/16 [424]	10-5/16 [261]
WCSP-4860 (V)	43-1/16 [1094]	38-7/8 [987]	21-11/16 [551]	16-15/16 [431]



GENERAL ASSEMBLY - DIMENSIONS & CLEARANCES  
ALL DIMENSIONS IN INCHES [mm]