

**Vertical DX Fan Coil**

**STANDARD FEATURES**

- High Efficiency EC Motor/Blower Technology
- Easy Field Adjustable Motor Staging
- 230V Standard Configuration - Field Convertible to 115V
- Heat Pump Compatible
- Thermal Expansion Valve (TXV)
- Factory Installed Chatleff Fitting for TXV
- Anti-Frost Control
- Integrated Control Board
- 6-Row Copper/Aluminum Evaporator Coil
- Sweat-Type Refrigerant Connections
- Insulated Grey Cabinet
- Float Switch
- Condensate Trap
- Anti-Vibration Foam Strips
- Mode Specific Adjustable Speed Control



Model	Nominal System Capacity		Std. CFM@ 1.2" W.C.	Dimensions			Motor HP	F.L. Amps	Connections		Ship Weight (lbs.)	Recommended Condensing Unit Capacity (MBH)	Part Number	Qty
	Nom. Tons	Cool MBH		Height	Width	Length			Suction Line	Liquid Line				
ESP-2430JV	2	23	440, 550	33"	24"	16-1/8"	3/4	5.6/2	7/8"	3/8"	135	24	ESP2430JV4M	
	2-1/2	27										30		
ESP-3642JV	3	35	660, 850	33"	33"	16-1/8"	3/4	7.6/4	7/8"	3/8"	170	36	ESP3642JV4M	
	3-1/2	40										42		
ESP-4860JV	4	48	880, 1150	33"	43"	16-1/8"	3/4	10.6/5.4	7/8"	3/8"	210	48	ESP4860JV4M	
	5	57										60		

**NOTE:**  
Electrical Characteristics: 230/1/60.

**SpacePak "J" Series Horizontal Air Handler Plenum Adapter Chart**

Plenum Adapter	To Be Used With
AC-SM9D-PA	Smart Seal Gasketed Spiral Metal Duct
SPS-PAJSQ	Square Fiberboard Plenum Duct
AC-PAJ	9" Round Sheet Metal Duct



260 North Elm St., Westfield, MA 01085  
(800) 465-8558 Fax: (413) 564-5815

7555 Tranmere Drive, Mississauga, ONT. L5S 1L4 Canada  
(905) 670-5888 Fax: (905) 670-5782

www.spacepak.com

PROJECT: \_\_\_\_\_ DATE: \_\_\_\_\_

LOCATION: \_\_\_\_\_

CUSTOMER: \_\_\_\_\_

ENGINEER: \_\_\_\_\_

SUBMITTED BY: \_\_\_\_\_

FOR:  Reference  Approval  Construction

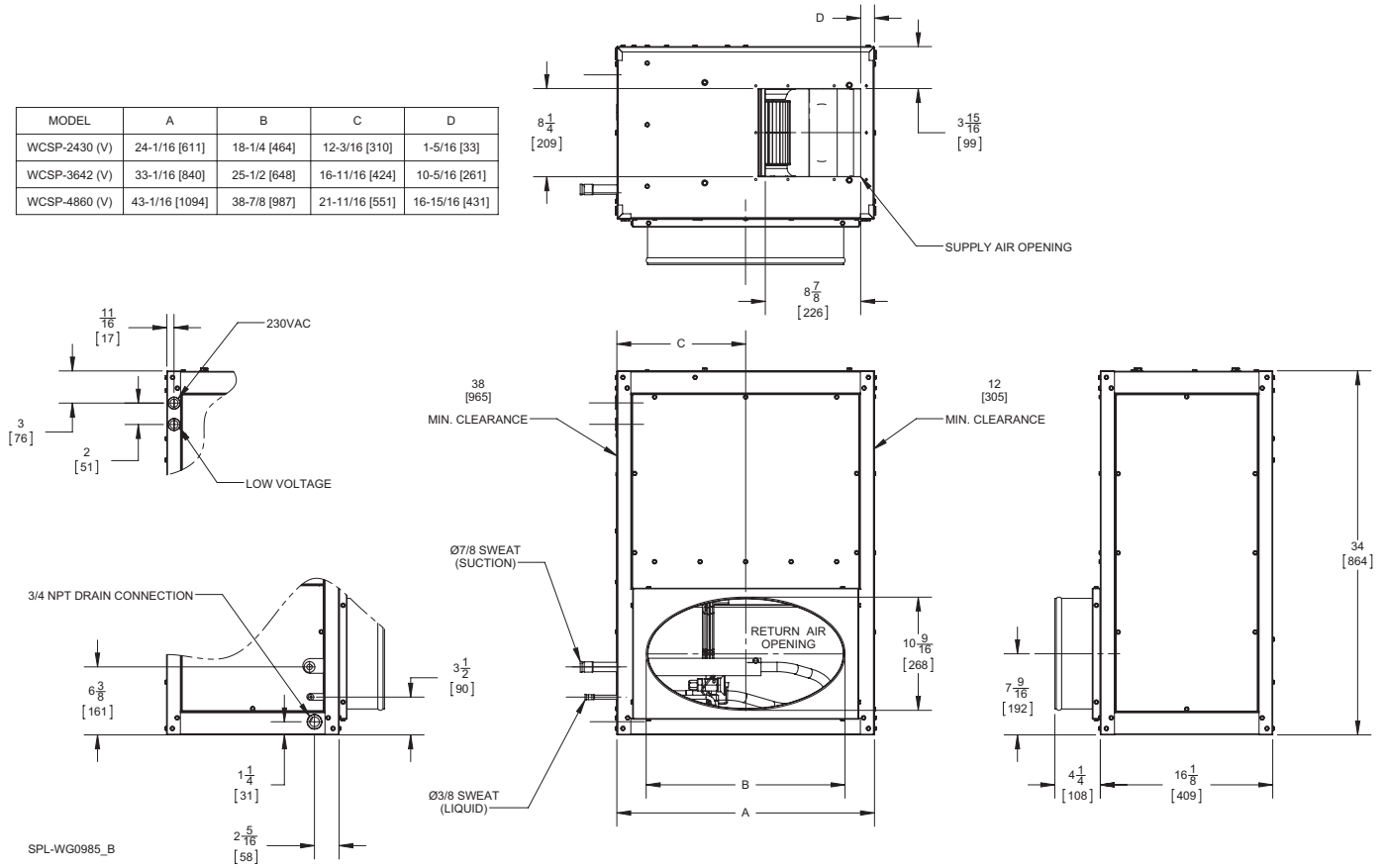
UNIT DESIGNATION: \_\_\_\_\_

SCHEDULE NUMBER: \_\_\_\_\_

# SUBMITTAL DATA: ESP-JV SERIES

## Dimensional Data

MODEL	A	B	C	D
WCSP-2430 (V)	24-1/16 [611]	18-1/4 [464]	12-3/16 [310]	1-5/16 [33]
WCSP-3642 (V)	33-1/16 [840]	25-1/2 [648]	16-11/16 [424]	10-5/16 [261]
WCSP-4860 (V)	43-1/16 [1094]	38-7/8 [987]	21-11/16 [551]	16-15/16 [431]



GENERAL ASSEMBLY - DIMENSIONS & CLEARANCES  
ALL DIMENSIONS IN INCHES [mm]