

Horizontal DX Fan Coil

STANDARD FEATURES

- J+ Advanced Control
- 2 Line Display for Easier Setup
- High Efficiency EC Integrated Motor/Blower Assembly
- Mode Specific Adjustable Speed Control
- Heat Pump Compatible
- Chatleff Thermal Expansion Valve
- 6-Row Copper/Aluminum Evaporator Coil
- Slide Out Blower
- Sweat-Type Refrigerant Connections
- 24V 50/60hz Transformer
- Insulated Grey Cabinet
- Float Switch
- Mold Resistant Primary Drain Pan
- Anti-Vibration Foam Strips



	Model	ESP2430JH4MC		ESP3642JH4MC		ESP4860JH4MC	
	Tons	2	2.5	3	3.5	4	5
Capacity	CFM @ 1.2" W.C	440	550	660	850	880	1150
	Height	14-1/8"					
Dimensions	Width	24-1/4"		33-1/4"		43-1/4"	
	Length	29-3/8"					
	Ship Weight (lbs)	105		126		144	
Connections	Suction	7/8" ODF					
	Liquid	3/8" ODF					
	Cond Drain (NPT)	3/4"					
	Return Dia.	15"		19"		24"	
Coil	Rows	6					
	Refrigerant type	R410A					
Motor	H.P.	3/4					
	Type	EC					
	Wheel Dia & Width	10/6"					
Electrical Data	Volts*	230/115					
	Ph	1					
	Hz**	50/60					
	F.L Amps @ 230V	2.8		3.8		5.3	
	F.L. Amps @ 115V	5.6		7.6		10.6	
	QTY						

*Units are shipped standard @230v. Field conversion kit provided for 115v supply voltage

**Unit transformer and motor are capable of 50 or 60hz



260 North Elm St., Westfield, MA 01085
(800) 465-8558 Fax: (413) 564-5815

7555 Tranmere Drive, Mississauga, ONT. L5S 1L4 Canada
(905) 670-5888 Fax: (905) 670-5782

www.spacepak.com

PROJECT: _____ DATE: _____

LOCATION: _____

CUSTOMER: _____

ENGINEER: _____

SUBMITTED BY: _____

FOR: Reference Approval Construction

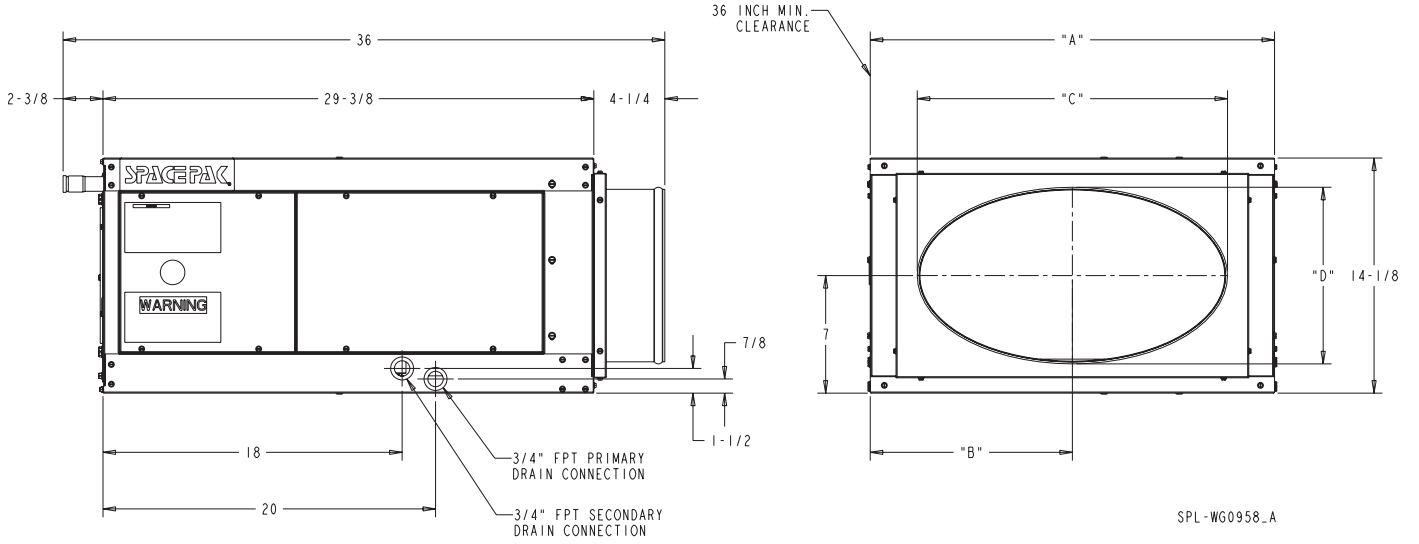
UNIT DESIGNATION: _____

SCHEDULE NUMBER: _____

SUBMITTAL DATA: ESP-J SERIES

Dimensional Data

Unit Dimensions and Clearance – (Inches)



MODEL	A	B	C	D
ESP-2430J	24-1/4"	12"	18-1/2"	10-1/2"
ESP-3642J	33-1/4"	16-1/2"	25-3/4"	10"
ESP-4860J	43-1/4"	21-1/2"	34-1/4"	10-1/4"