

Duct Adaptor

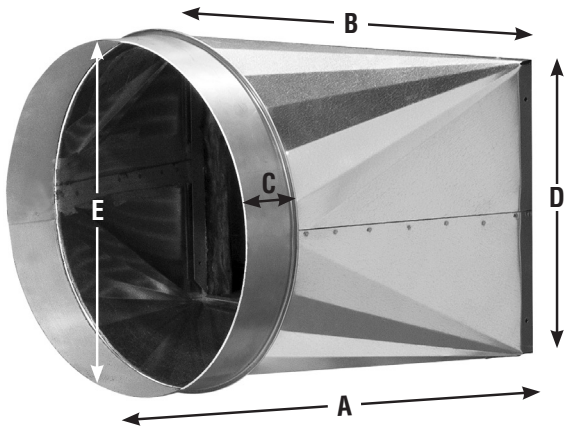
FEATURES AND BENEFITS

- Easier to install SpacePak return duct*
- Smoother return for efficient operation



		45AC-OTR-2430	45AC-OTR-3642	45AC-OTR-4860
Dimensions (in)	A	13	22	27
	B	21	30	40
	C	3		
	D	12		
	E (O.D)	15	19	24
Material	Ga	20		
Model Applicable	ESP/WCSP G, J, J+	2430	3642	4860
Matching SpacePak Duct	Order Codes	44BM-6808-10	44BM-6809-10	44BM-6839-10

*Adaptors to be field insulated in accordance with local codes and regulations. Insulation is not provided from the factory.



This panel must be removed prior to adding round adaptor



260 North Elm St., Westfield, MA 01085
(800) 465-8558

7555 Tranmere Drive, Mississauga, ONT. L5S 1L4 Canada
(905) 670-5888

www.spacepak.com

PROJECT: _____ DATE: _____

LOCATION: _____

CUSTOMER: _____

ENGINEER: _____

SUBMITTED BY: _____

FOR: Reference Approval Construction

UNIT DESIGNATION: _____

SCHEDULE NUMBER: _____