

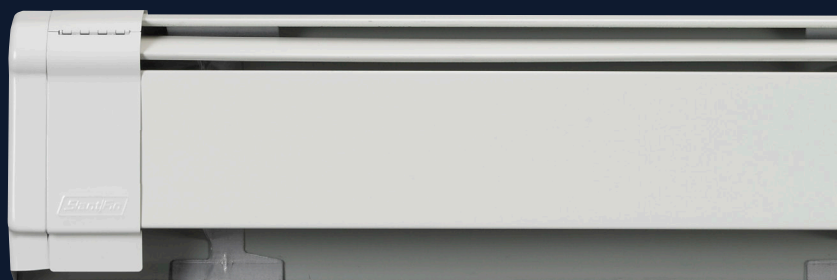
Since 1949
Slant/Fin
BASEBOARD

Fine/Line® 30

Hot Water Baseboard Radiation



Made with Commercial Grade
RUST-RESISTANT
Galvanized Steel!



Fine/Line® 30

The Science of Better Heating!

Hydronic baseboard heating offers numerous benefits, making it a popular choice for homeowners. One of its key advantages is its silent operation, providing warmth without the noisy fan sounds typical of other heating systems. Additionally, it boasts low energy consumption, making it energy-efficient and cost-effective in the long run.

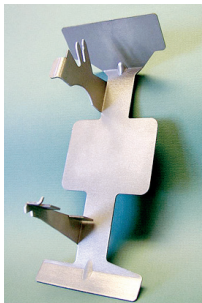
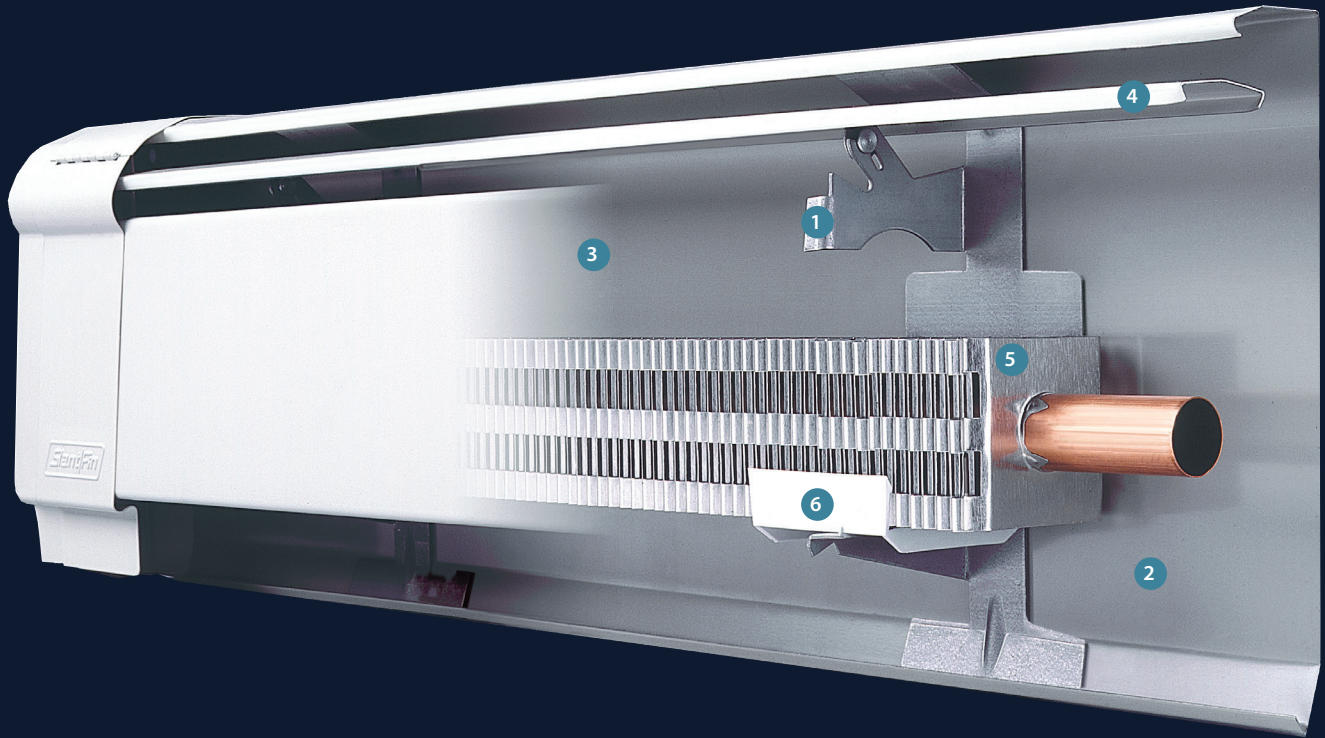
Unlike forced air systems, hydronic heating reduces allergy symptoms by avoiding the circulation of dust and allergens in the air. Moreover, it minimizes the spread of germs, creating a healthier indoor environment. With its quiet, energy-efficient, and health-conscious features, hydronic baseboard heating stands out as a superior and comfortable heating solution for homes.

Features and Benefits

- Cleaner, healthier heat
- Gentle, draft-free heating
- Room by room comfort
- Quieter
- Better fuel economy
- Quicker response
- Slim profile
- Rugged and durable



Engineered for Excellence.



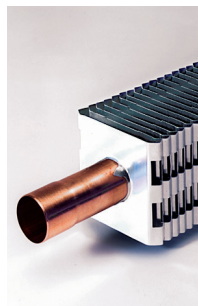
1. High strength support brackets. Slant/Fin's heavy-gauge steel support bracket is shaped by a series of progressive die strikes which multiply the strength of the metal alone. The bracket becomes a powerful "spine" for the entire unit, holding cover, element and damper vane securely in place. Brackets can't pop out of place, yet may be slid laterally for installation convenience. Support wedge at top of bracket reinforces top panel against damage. Half-moon cutout provides room for return line.



4. Room control damper helps control individual room temperature. Slant/Fin's unique pivot and damper mounting assembly provide the straightest, most responsive damper available. Factory assembled. Holds any setting from fully open to fully closed or any setting in-between. Ordinary baseboard dampers may leave large spaces even when closed. The Slant/Fin damper, when closed, effectively reduces convection air flow.



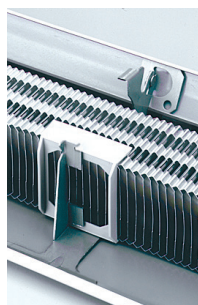
2. Super-strong enclosure won't go out of shape under rough abuse or even when used as a step by children. The super strong Slant/Fin enclosure holds its shape through installation and years of use. Prime, cold-rolled, rephosphorized, heavy-gauge, galvanized steel is formed into rigid front panel and one-piece bottom, back and top panel. Channels formed along top and bottom edge of front panel add extra structural strength.



5. High performance heating element. Maximum heat output. Fins won't loosen. Double bent aluminum fins pack extra heating surface in a slimmer enclosure. Interlocking tongue-and-groove collars permanently bond fins to each other and to the tubing. Stops "pings and clicks". Tight bond assures maximum heat-transfer efficiency.



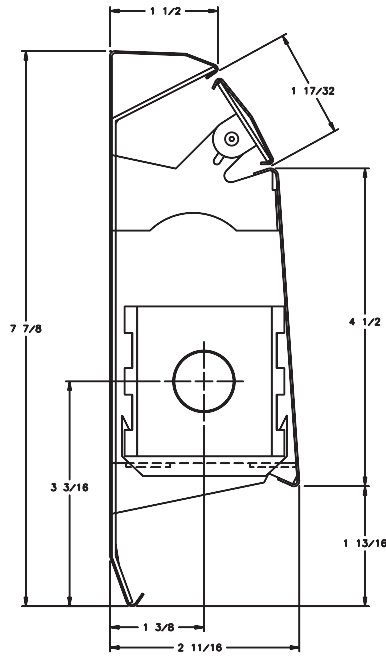
3. Rust resistant galvanized steel is standard on all Fine/Line 30 baseboard. The special alloys and rust inhibitor finish used in making Fine/Line 30 ensure that the enclosures will maintain their like-new beauty, even in high moisture areas such as bathrooms, basements and laundry rooms.



6. No-noise expansion cradles. Self-adjusting velvet smooth expansion cradles eliminate noisy metal-to-metal contact with bracket and enclosure. Cradle slides silently over support bracket as heating element expands and contracts.

Specifications

Dimensions



Hot Water Ratings

Fine/Line 30 – No. 30-75 baseboard with 3/4" E-75 element*.

Water Flow	Pressure Drop †	110°F	120°F	130°F	140°F	150°F	160°F	170°F	180°F	190°F	200°F	210°F	215°F	220°F
1 GPM	47	160	210	260	320	380	450	510	580	640	710	770	810	840
4 GPM	525	160	220	270	340	400	480	540	610	680	750	810	860	890

BTU/hr./ft. with 65° entering air

† Millinches per foot.

*Also available in 1/2" element

NOTE: Ratings are for element installed as per drawing shown here, with damper open, with expansion cradles. Ratings are based on active finned length (5" to 6" less than overall length) and include 15% heating effect factor. Use 4 gpm ratings only when flow is known to be equal to or greater than 4 gpm; otherwise 1 gpm ratings must be used.

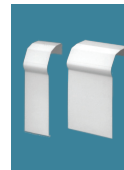
Accessories



End Cap
2" non-hinged, closed end.



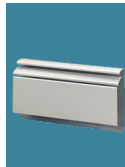
Inside Corner
3-3/4" widest top, hinged contoured front panel.



Solid Wall Trim/Splice Plate
Solid (non-hinged), with open ends.



End Cap
3-3/4" wide hinged front panel, closed end.



Filler Sleeve (4 Piece Set)
Cover gaps from 1" to 6" or 1" to 12" Includes back, top and front panels and damper vane.



Valve Cover
3-3/4" wide hinged front panel, closed end.



Slotted End Cap
3-3/4" wide hinged front panel, slotted end.



Outside Corner
One-piece unit non-hinged.



Touch-up Spray Paint
4.5 oz touch up paint - spray can.