

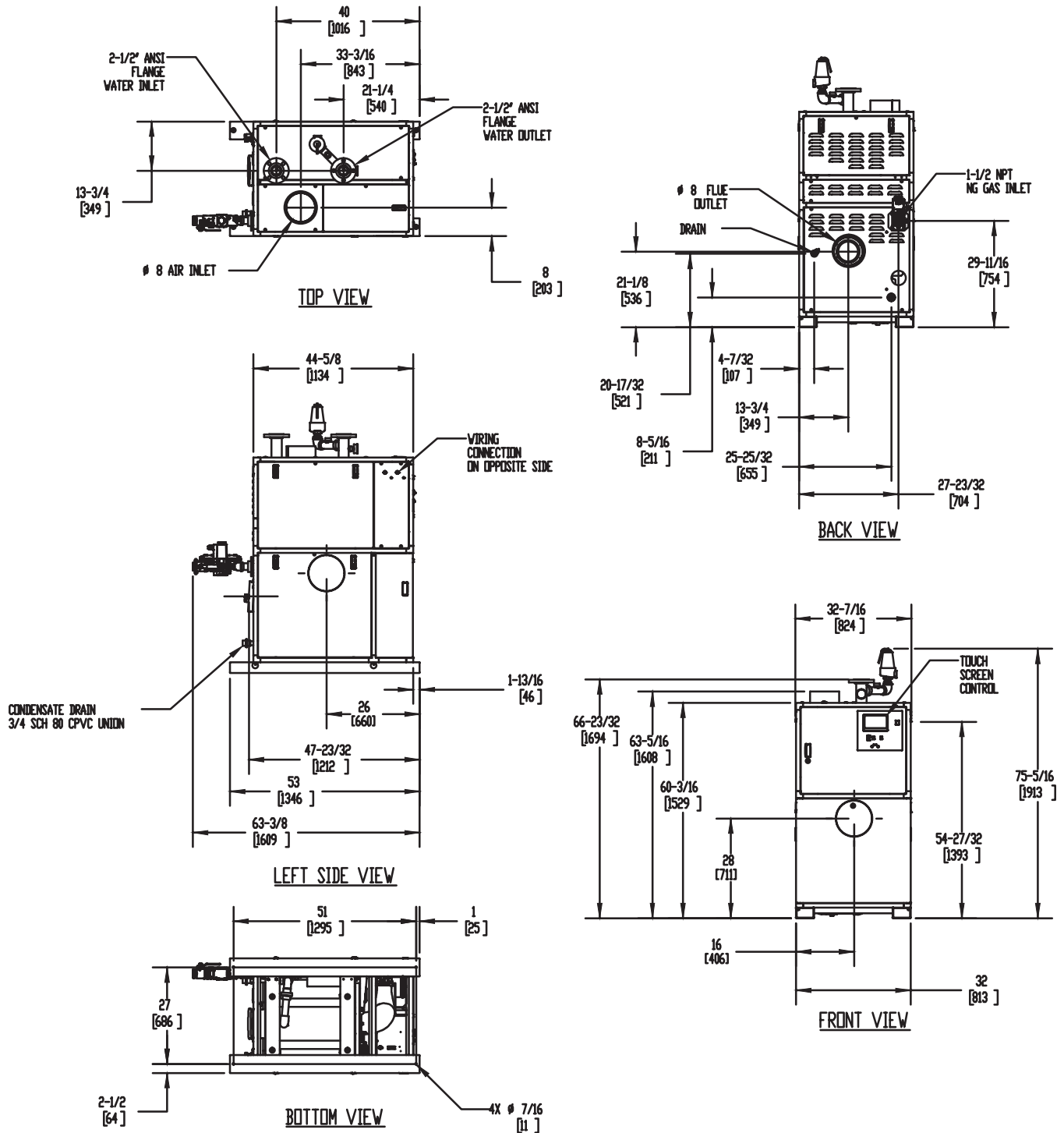
TORUS 1250 VERTICAL

Category II or Category IV Appliance
(see Installation and Operation Manual for venting information)

CODE OPTIONS

CSD-1	FIRMWARE W/REMOTE TEST MANUAL RESET LWCO
-------	---

INDOOR UNIT



Notes:

1. Dimensions are approximate and should not be used to "rough-in" equipment.
2. Dimensions are subject to change without notice.
3. All dimensions are in inches (mm).
4. Symbol indicates center of gravity.

TORUS 1250 VERTICAL

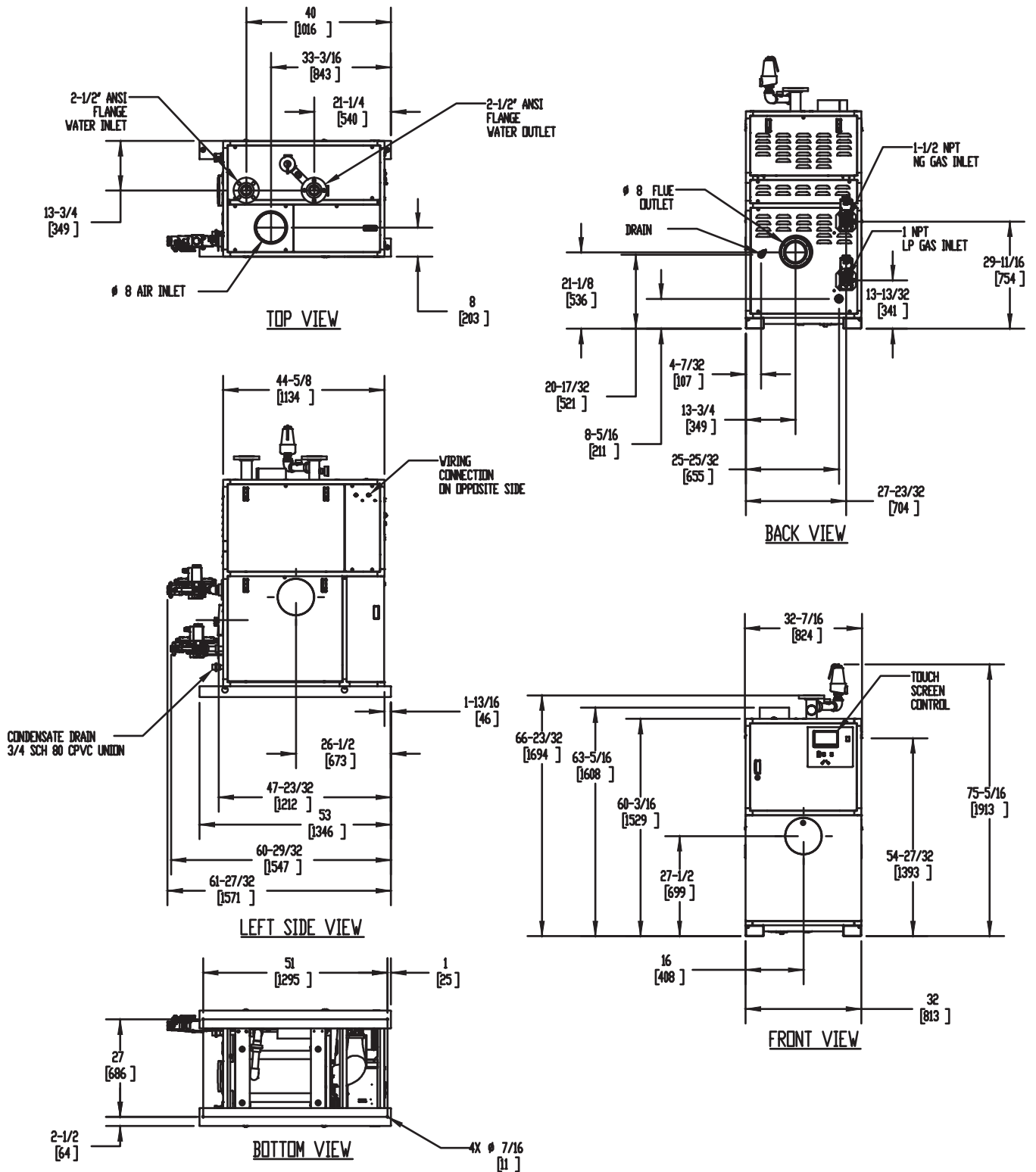
Category II or Category IV Appliance
(see Installation and Operation Manual for venting information)

CODE OPTIONS

CSD-1

FIRMWARE W/REMOTE
TEST MANUAL RESET LWCO

DUAL FUEL UNIT



Notes:

1. Dimensions are approximate and should not be used to "rough-in" equipment.
2. Dimensions are subject to change without notice.
3. All dimensions are in inches (mm).
4. ⦿ Symbol indicates center of gravity.

BOILER CERTIFIED RATINGS & CAPACITIES

Fuel Type	Natural/Propane Gas	Boiler FLA	17.14*
Input BTU/hr.	1,250,000 / 366 kW	Boiler HP	36.04
Output BTU/hr.	1,206,250 / 353 kW	Min. Gas Pressure Required	4" W.C.
Electrical Requirements	120 VAC/60 Hz/1PH	Max. Gas Pressure Allowed	14" W.C.
		Operating Weight	1084 lbs / 492 kg

BOILER TRIM & CONTROLS

Main Gas Valve	Dungs MBC	Air Switch	Huba
Firing Valve	1" Apollo	Flow Switch	SIKA
Ignition Control	Fenwal	Blocked Flue Switch	Cleveland NS2
Operating Control	HeatNet®	Blower Motor	Ametek
High Limit	Jumo	L.W.C.O.	800
Main Ball Valve	1 1/2" Apollo	Relief Valve (WB)	1" x 1-1/4" set @ 50 psi
		Relief Valve (WW)	1" x 1" set @ 125 psi

Pump contactor strongly recommended for water heater applications.

A.S.M.E.

ASME Sect IV Fire Side	100.17 Sq. Ft. / 9.31 Sq. M.	Design Data	Max. 160 psig & 210°F
Htg Surface		Water Volume	11 gal. / 41.6 Liters
ASME Sect IV Water Side	92.93 Sq. Ft. / 8.63 Sq. M.	pH Level	6.5-8.5
Htg Surface			

* Add circulator amps.

BOILER TEMPERATURE RISE / PRESSURE DROP (Based on Full Input)

20°F / 11.1°C				30°F / 16.7°C				40°F / 22.2°C				50°F / 27.8°C				60°F / 33.3°C			
Flow Rate		Pressure Drop		Flow Rate		Pressure Drop		Flow Rate		Pressure Drop		Flow Rate		Pressure Drop		Flow Rate		Pressure Drop	
GPM	L/s	Ft	kPa	GPM	L/s	Ft	kPa	GPM	L/s	Ft	kPa	GPM	L/s	Ft	kPa	GPM	L/s	Ft	kPa
120.7	7.6	15.4	45.9	80.4	5.1	7.3	21.7	60.3	3.8	4.7	13.9	48.3	3.0	3.6	10.7	40.2	2.5	3.0	9.1

Flow GPM (Boiler)				Temp. Rise (°F) (Boiler**)				Vent Length (Equiv. Ft.)				Air Inlet Length (Equiv. Ft.)			
Min		Max		Min		Max		Min		Max		Min		Max	
40.2		120.7		20		60		8		160		0		160	

** Min/Max delta t reflects boiler operation at full input. For applications requiring operation above/below these parameters please consult factory.

WATER HEATER HOURLY RECOVERY CAPACITY (GPH & LPH)

40°F	22°C	60°F	33°C	80°F	44°C	100°F	56°C	120°F	67°C	140°F	78°C
3639	13755	2426	9170	1819	6878	1456	5502	1213	4585	1040	3930

Water Heater Min Flow Rates

Normal (4 to 12) gpg				Hard (12 to 15) gpg			
Flow Rate		Pressure Drop		Flow Rate		Pressure Drop	
gpm	L/s	Ft	kPa	gpm	L/s	Ft	kPa
99.0	6.2	10.5	31.4	132.0	8.3	18.3	54.7

REP FIRM _____
SUBMITTED BY _____
JOB NAME _____
ARCHITECT _____
ENGINEER _____
CONTRACTOR _____
DATE _____

TORUS 1250 VERTICAL

Category II or Category IV Appliance
 (see Installation and Operation Manual for venting information)



A Division of Mestek, Inc.
 Westfield, MA 01085
 (413) 564-5515