

TORUS 1250 DUAL FUEL

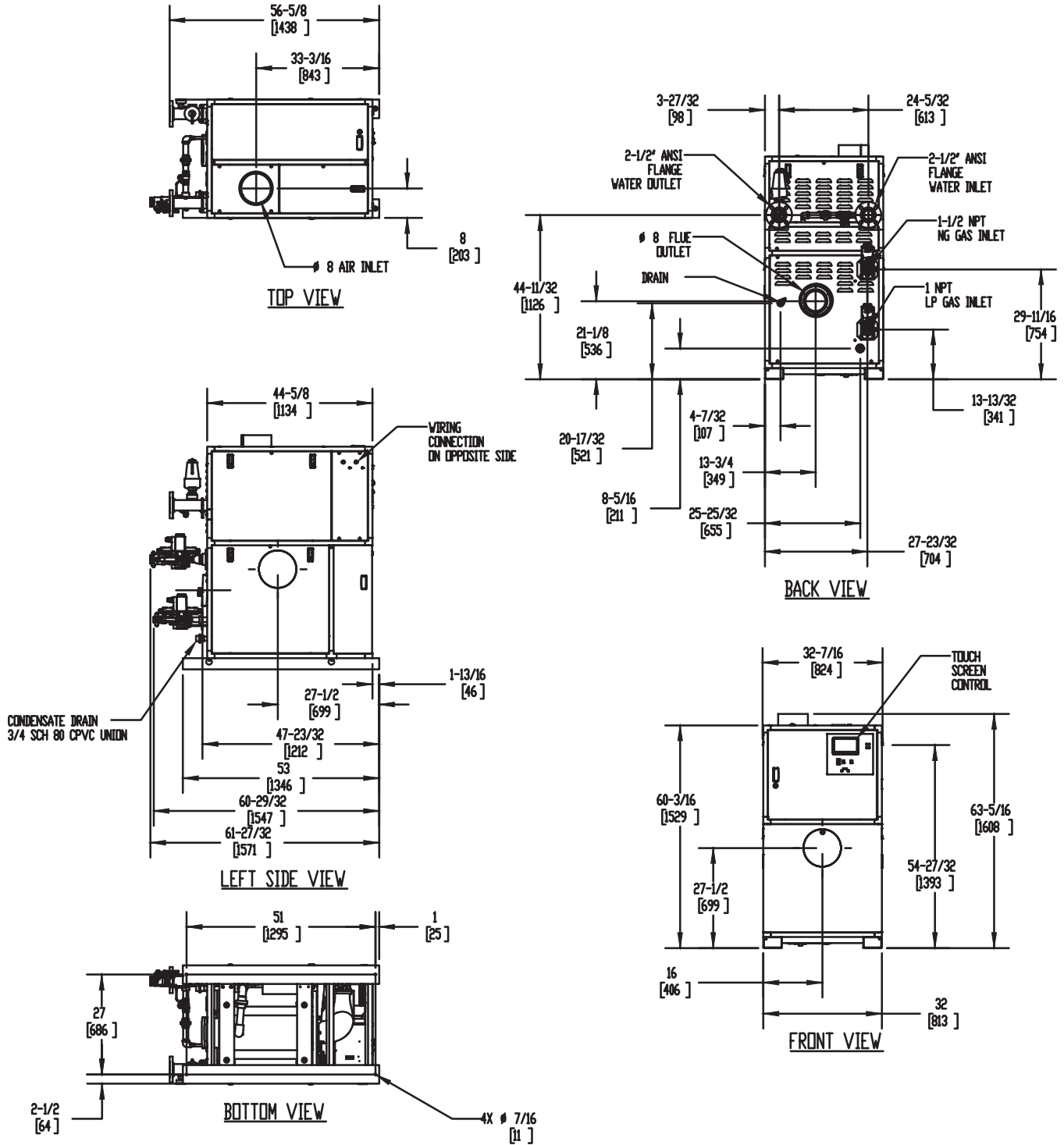
Category II or Category IV Appliance
(see Installation and Operation Manual for venting information)

CODE OPTIONS

CSD-1

FIRMWARE W/REMOTE
TEST MANUAL RESET LWCO

INDOOR UNIT



Notes:

1. Dimensions are approximate and should not be used to "rough-in" equipment.
2. Dimensions are subject to change without notice.
3. All dimensions are in inches (mm).
4. Symbol indicates center of gravity.

BOILER CERTIFIED RATINGS & CAPACITIES

Fuel Type	Natural/Propane Gas	Boiler FLA	17.14*
Input BTU/hr.	1,250,000 / 366 kW	Boiler HP	36.04
Output BTU/hr.	1,206,250 / 353 kW	Min. Gas Pressure Required	4" W.C.
Electrical Requirements	120 VAC/60 Hz/1PH	Max. Gas Pressure Allowed	14" W.C.
		Operating Weight	1084 lbs / 492 kg

BOILER TRIM & CONTROLS

Main Gas Valve	Dungs MBC	Air Switch	Huba
Firing Valve	1" Apollo	Flow Switch	SIKA
Ignition Control	Fenwal	Blocked Flue Switch	Cleveland NS2
Operating Control	HeatNet®	Blower Motor	Ametek
High Limit	Jumo	L.W.C.O.	800
Main Ball Valve	1 1/2" Apollo	Relief Valve (WB)	1" x 1-1/4" set @ 50 psi
Pump contactor strongly recommended for water heater applications.		Relief Valve (WW)	1" x 1" set @ 125 psi

A.S.M.E.

ASME Sect IV Fire Side Htg Surface	100.17 Sq. Ft. / 9.31 Sq. M.	Design Data	Max. 160 psig & 210°F
ASME Sect IV Water Side Htg Surface	92.93 Sq. Ft. / 8.63 Sq. M.	Water Volume	11 gal. / 41.6 Liters

* Add circulator amps.

BOILER TEMPERATURE RISE / PRESSURE DROP (Based on Full Input)


20°F / 11.1°C				30°F / 16.7°C				40°F / 22.2°C				50°F / 27.8°C				60°F / 33.3°C			
Flow Rate		Pressure Drop		Flow Rate		Pressure Drop		Flow Rate		Pressure Drop		Flow Rate		Pressure Drop		Flow Rate		Pressure Drop	
GPM	L/s	Ft	kPa	GPM	L/s	Ft	kPa	GPM	L/s	Ft	kPa	GPM	L/s	Ft	kPa	GPM	L/s	Ft	kPa
120.7	7.6	15.4	45.9	80.4	5.1	7.3	21.7	60.3	3.8	4.7	13.9	48.3	3.0	3.6	10.7	40.2	2.5	3.0	9.1

WATER HEATER HOURLY RECOVERY CAPACITY (GPH & LPH)

40°F	22°C	60°F	33°C	80°F	44°C	100°F	56°C	120°F	67°C	140°F	78°C
3639	13755	2426	9170	1819	6878	1456	5502	1213	4585	1040	3930

Flow GPM		Temp. Rise** (°F)		Vent Length (Equiv. Ft.)		Air Inlet Length (Equiv. Ft.)	
Min	Max	Min	Max	Min	Max	Min	Max
40.2	120.7	20	60	8	160	0	160

** Min/Max delta t reflects boiler operation at full input. For applications requiring operation above/below these parameters please consult factory.

REP FIRM	_____	<h1 style="margin: 0;">TORUS 1250 DUAL FUEL</h1> <p style="margin: 0;">Category II or Category IV Appliance (see Installation and Operation Manual for venting information)</p>  <p style="margin: 0;">A Division of Mestek, Inc. Westfield, MA 01085 (413) 564-5515</p> <p style="margin: 0; font-size: small;">RELIABLE. BOLD. INNOVATIVE.</p>
SUBMITTED BY	_____	
JOB NAME	_____	
ARCHITECT	_____	
ENGINEER	_____	
CONTRACTOR	_____	
DATE	_____	

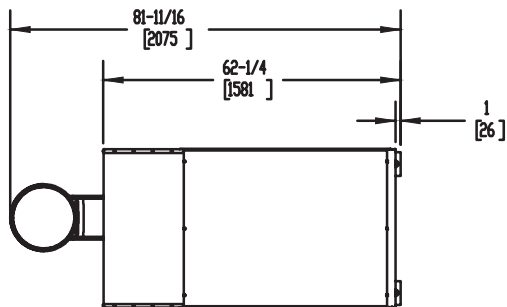
TORUS 1250 DUAL FUEL

Category II or Category IV Appliance
(see Installation and Operation Manual for venting information)

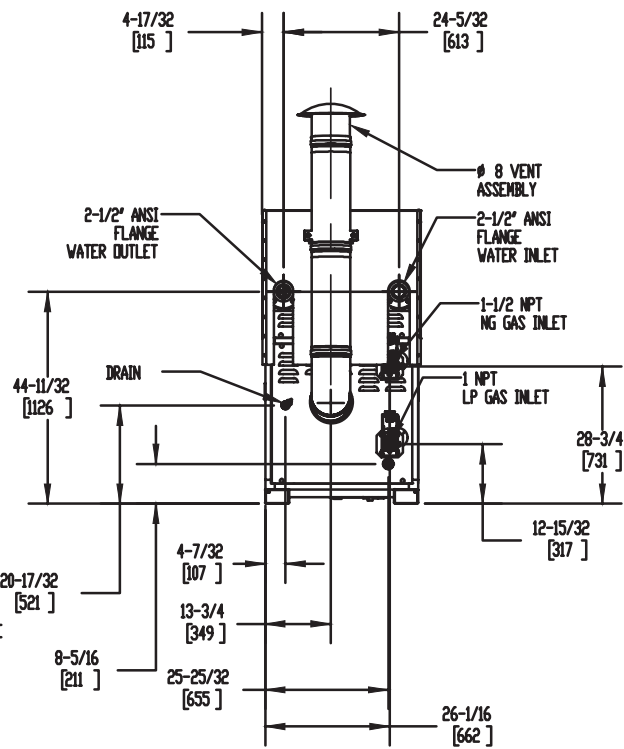
CODE OPTIONS

CSD-1	FIRMWARE W/REMOTE TEST MANUAL RESET LWCO
-------	---

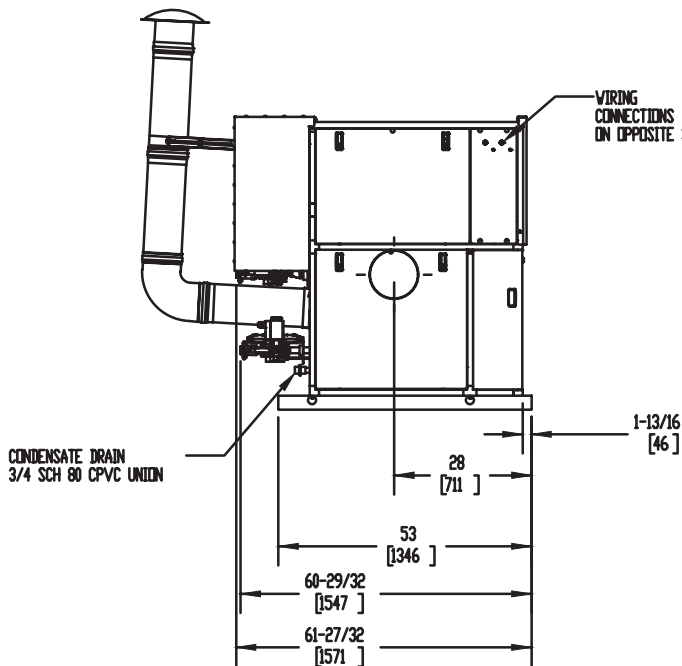
OUTDOOR UNIT



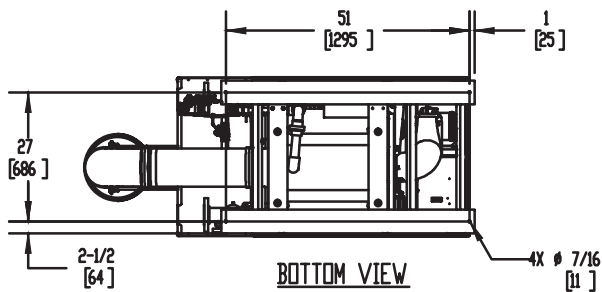
TOP VIEW



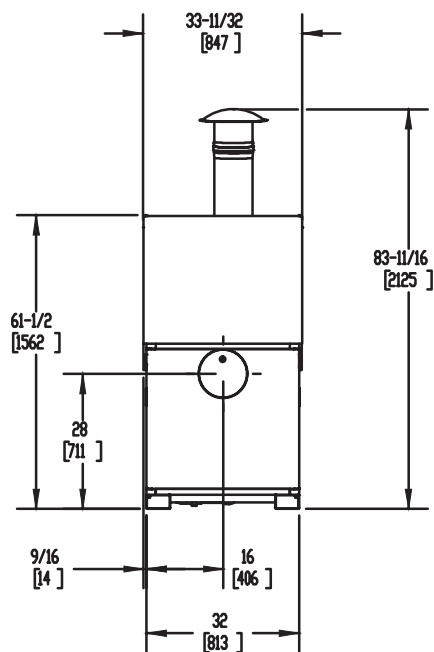
BACK VIEW



LEFT SIDE VIEW



BOTTOM VIEW



FRONT VIEW

Notes:

1. Dimensions are approximate and should not be used to "rough-in" equipment.
2. Dimensions are subject to change without notice.
3. All dimensions are in inches (mm).
4. Symbol indicates center of gravity.

BOILER CERTIFIED RATINGS & CAPACITIES

Fuel Type	Natural/Propane Gas	Boiler FLA	17.14*
Input BTU/hr.	1,250,000 / 366 kW	Boiler HP	36.04
Output BTU/hr.	1,203,750 / 353 kW	Min. Gas Pressure Required	4" W.C.
Electrical Requirements	120 VAC/60 Hz/1PH	Max. Gas Pressure Allowed	14" W.C.
		Operating Weight	1084 lbs / 492 kg

BOILER TRIM & CONTROLS

Main Gas Valve	Dungs MBC	Air Switch	Huba
Firing Valve	1" Apollo	Flow Switch	SIKA
Ignition Control	Fenwal	Blocked Flue Switch	Cleveland NS2
Operating Control	HeatNet®	Blower Motor	Ametek
High Limit	Jumo	L.W.C.O.	800
Main Ball Valve	1 1/2" Apollo	Relief Valve (WB)	1" x 1-1/4" set @ 50 psi
Pump contactor strongly recommended for water heater applications.		Relief Valve (WW)	1" x 1" set @ 125 psi

A.S.M.E.

ASME Sect IV Fire Side Htg Surface	100.17 Sq. Ft. / 9.31 Sq. M.	Design Data	Max. 160 psig & 210°F
ASME Sect IV Water Side Htg Surface	92.93 Sq. Ft. / 8.63 Sq. M.	Water Volume	11 gal. / 41.6 Liters

* Add circulator amps.

BOILER TEMPERATURE RISE / PRESSURE DROP (Based on Full Input)


20°F / 11.1°C				30°F / 16.7°C				40°F / 22.2°C				50°F / 27.8°C				60°F / 33.3°C			
Flow Rate		Pressure Drop		Flow Rate		Pressure Drop		Flow Rate		Pressure Drop		Flow Rate		Pressure Drop		Flow Rate		Pressure Drop	
GPM	L/s	Ft	kPa	GPM	L/s	Ft	kPa	GPM	L/s	Ft	kPa	GPM	L/s	Ft	kPa	GPM	L/s	Ft	kPa
120.4	7.6	153	45.7	80.3	5.1	7.2	21.6	60.2	3.8	4.6	13.9	48.2	3.0	3.6	10.6	40.1	2.5	3.0	9.1

WATER HEATER HOURLY RECOVERY CAPACITY (GPH & LPH)

40°F	22°C	60°F	33°C	80°F	44°C	100°F	56°C	120°F	67°C	140°F	78°C
3639	13755	2426	9170	1819	6878	1456	5502	1213	4585	1040	3930

Flow GPM		Temp. Rise** (°F)		Vent Length (Equiv. Ft.)		Air Inlet Length (Equiv. Ft.)	
Min	Max	Min	Max	Min	Max	Min	Max
40.1	120.4	20	60	8	160	0	160

** Min/Max delta t reflects boiler operation at full input. For applications requiring operation above/below these parameters please consult factory.

REP FIRM	_____	<h1 style="margin: 0;">TORUS 1250 DUAL FUEL</h1> <p style="margin: 5px 0;">Category II or Category IV Appliance (see Installation and Operation Manual for venting information)</p>  <p>RBI® A Division of Mestek, Inc. Westfield, MA 01085 (413) 564-5515</p> <p style="font-size: small;">RELIABLE. BOLD. INNOVATIVE.</p>
SUBMITTED BY	_____	
JOB NAME	_____	
ARCHITECT	_____	
ENGINEER	_____	
CONTRACTOR	_____	
DATE	_____	