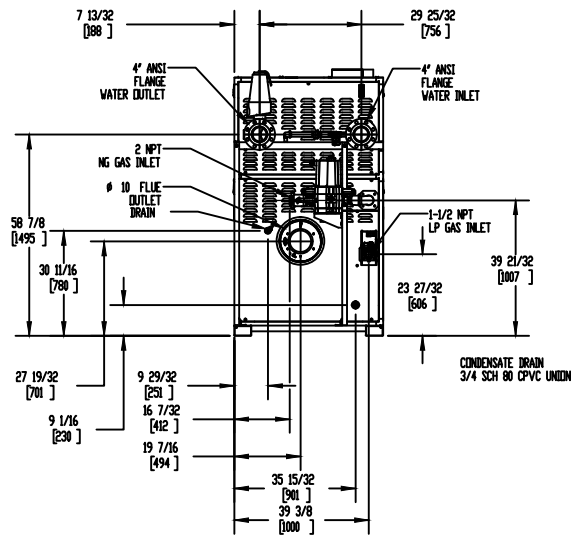
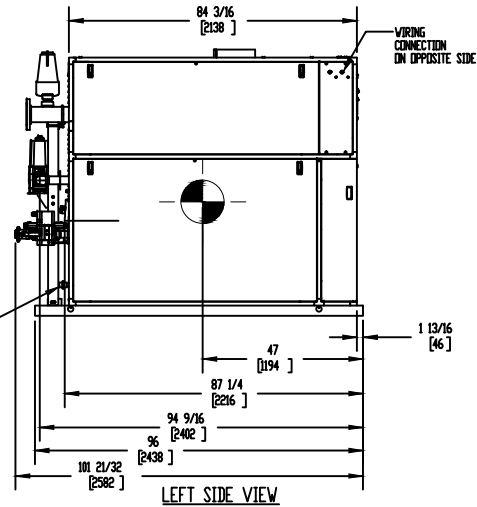


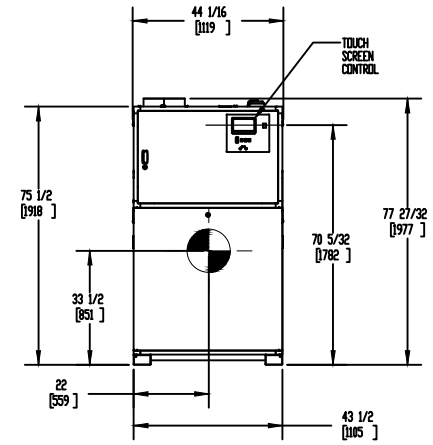
TOP VIEW



BACK VIEW



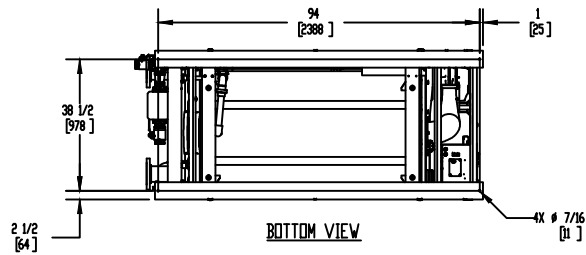
LEFT SIDE VIEW



FRONT VIEW

NOTES:

1. \ominus SYMBOL INDICATES CENTER OF GRAVITY.
2. DIMENSIONS ARE NOMINAL AND SUBJECT TO MANUFACTURING VARIATION AND SHOULD NOT BE USED FOR "ROUGHING IN".
3. ALL DIMENSIONS ARE INCHES (mm).



BOTTOM VIEW