

STORAGE TANKS

VERTICAL GLASS LINED JACKETED AND INSULATED OR BARE ASME

RBI tanks are designed for the efficient, heat retaining storage of hot water supply systems. Ranging in size from 200 – 1,000 gallon capacities RBI's storage tanks offer complete application flexibility and are the perfect complement to RBI's high efficiency water heaters and boilers.

Available in both jacketed/insulated and bare configurations all RBI storage tanks are ASME certified and use the latest advancements in interior tank lining technology for maximum performance and durability. **Ultonium®**, RBI's glass-lining is specifically formulated for hot water applications and provides an ultra-durable wear resistant lining that minimizes the effects of high temperatures associated with water heating.

RBI storage tanks provide advanced engineering, quality materials, premium performance and long service life to any water heating application.

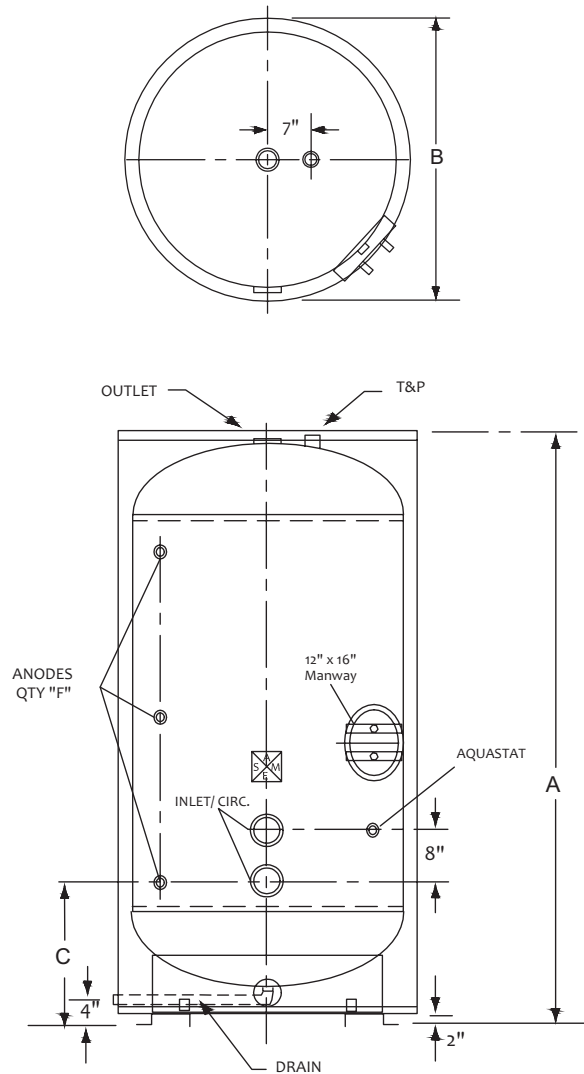
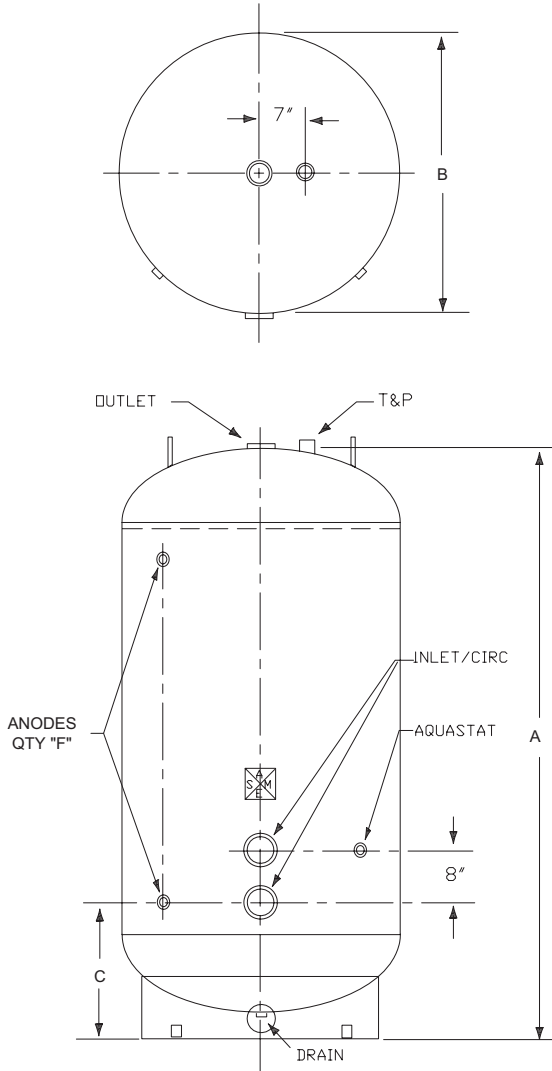
- ASME Certified HLW Stamp
- Ultonium® Glass Lining
- 2" True Dielectric NPT Fittings
- 125 PSI Certified Working Pressure
- Magnesium Anode Rods
- Heavy Gauge Steel Construction
- 2" Non-CFC Foam Insulation
- Durable Heavy Gauge Steel Jacket
- 5-Year Warranty
- 10-Year Warranty (Double Glass Lining Only)



| Storage Tanks — Bare — Vertical Glass Lined | | | |
|---|------------------|---------|-------|
| Model | Capacity (Gals.) | Height | Width |
| V200B | 200 | 79-1/2" | 28" |
| V240B | 240 | 89" | 30" |
| V310B | 310 | 82" | 36" |
| V435B | 435 | 85" | 42" |
| V505B | 505 | 97" | 42" |
| V675B | 675 | 100" | 48" |
| V860B | 860 | 124" | 48" |

| Storage Tanks — Jacketed — Vertical Glass Lined | | | |
|---|------------------|--------|-------|
| Model | Capacity (Gals.) | Height | Width |
| V200J | 200 | 78" | 32" |
| V240J | 240 | 93" | 34" |
| V310J | 310 | 86" | 40" |
| V435J | 435 | 89" | 46" |
| V505J | 505 | 101" | 46" |
| V675J | 675 | 104" | 52" |
| V860J | 860 | 128" | 52" |

STORAGE TANKS



Storage Tanks - Bare - Dimensions

| Model | "A" | "B" | "C" | "F" | Weight (lbs.) |
|--------|-------|-----|---------|-----|---------------|
| V200B* | 79.5" | 28" | 11-1/8" | 2 | 435 |
| V240B | 89" | 30" | 17-1/2" | 2 | 520 |
| V310B | 82" | 36" | 19" | 2 | 588 |
| V435B | 85" | 42" | 20-1/2" | 2 | 783 |
| V505B | 97" | 42" | 20-1/2" | 3 | 874 |
| V675B | 100" | 48" | 22" | 3 | 1,298 |
| V860B | 124" | 48" | 22" | 3 | 1,567 |

Storage Tanks - Jacketed - Dimensions

| Model | "A" | "B" | "C" | "F" | Weight (lbs.) |
|--------|------|-----|---------|-----|---------------|
| V200J* | 78" | 32" | 11-1/4" | 2 | 541 |
| V240J | 93" | 34" | 19-1/2" | 2 | 700 |
| V310J | 86" | 40" | 21" | 2 | 782 |
| V435J | 89" | 46" | 22-1/2" | 2 | 1,024 |
| V505J | 101" | 46" | 22-1/2" | 3 | 1,168 |
| V675J | 104" | 52" | 24" | 3 | 1,653 |
| V860J | 128" | 52" | 24" | 3 | 1,947 |

*150 P.S.I. standard

NOTE: Tanks shown are rated for 125 M.A.W.P.

Standard: 125 P.S.I. Consult factory for optional working pressures.

Consult factory for tanks larger than 860 gallons.

Manway included on all tanks with a diameter of 42" or larger.

RBI®
RELIABLE. BOLD. INNOVATIVE.

260 North Elm Street, Westfield, MA 01085

Tel. (413) 568-9571

7555 Tranmere Drive, Mississauga, Ontario L5S 1L4

Tel. (905) 670-5888

www.rbiwaterheaters.com

A MESTEK COMPANY