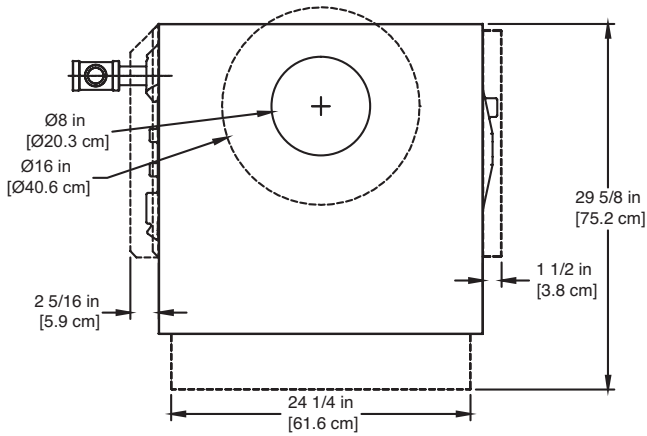


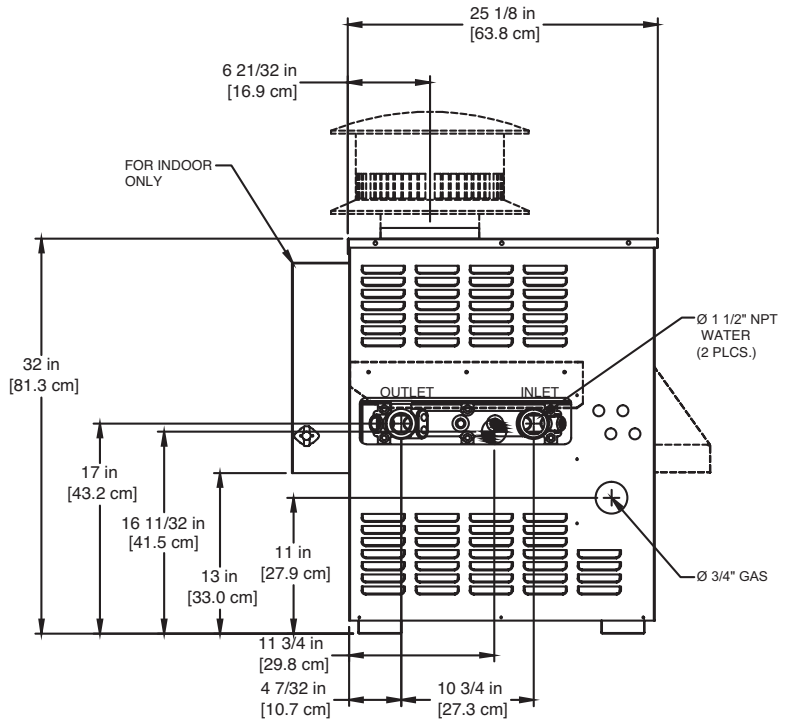
SPECTRUM 250

Category I Appliance

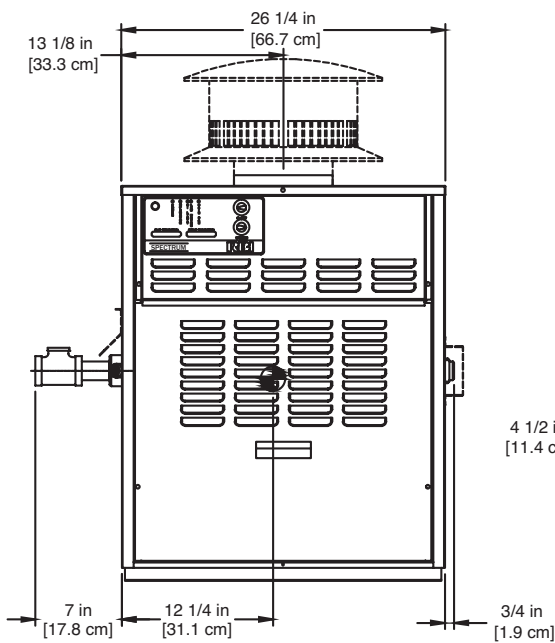
Must be vented into a negative pressure vent system.



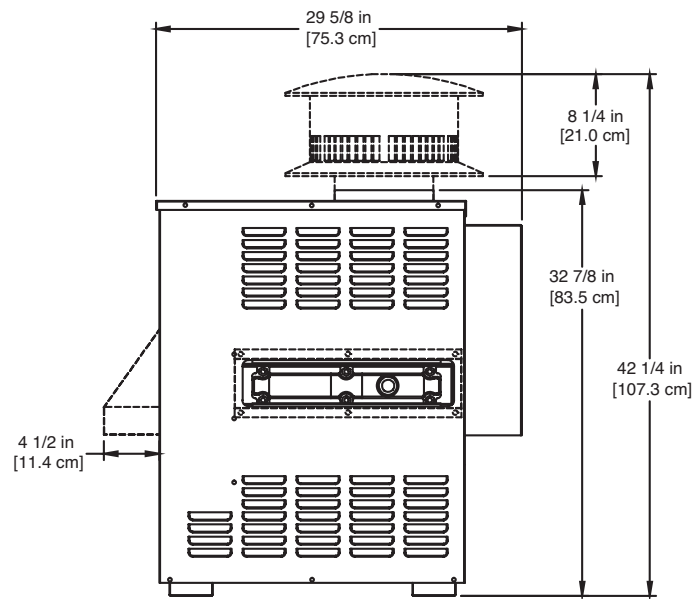
TOP



LEFT SIDE



FRONT



RIGHT SIDE

NOTE:
----- FOR OUTDOOR ONLY

RSUB-4-C

Notes:

1. Dimensions are approximate and should not be used to "rough-in" equipment.
2. Dimensions are subject to change without notice.

Spectrum 250 model boiler not available for sale in the U.S. market due to DOE regulations.

SSPEC-250-7

BOILER CERTIFIED RATINGS & CAPACITIES

Fuel Type	Natural/Propane Gas	Boiler FLA	1*
Input BTU/hr.	250,000 / 73 kW	Min. Gas Pressure Required	5" WC**
Output BTU/hr.	205,000 / 60 kW	Max. Gas Pressure Allowed	14" WC
Electrical Requirements	120VAC / 1 ph / 60 hz	Operating Weight	218 lbs. / 99 kg.

BOILER / WATER HEATER TRIM & CONTROLS

Gas Valve - INT	Honeywell VR8304M 3/4"	Ignition Control (SB)	Honeywell S9361A2085
Gas Valve	Honeywell VR8304Q 3/4" - 2 Stg.	Ignition Control (SW)	Honeywell S86IOM
Operating Control (SB/SW)	Honeywell - On/Off	Relief Valve - SW	3/4" x 3/4" set @ 125 psi
Operating Control (SW)	Jumo - 2 Stage	Relief Valve - SB	3/4" x 3/4" set @ 30 psi
High Limit (SB/SW)	Jumo	Flow Switch	TACO

A.S.M.E.

ASME Sect IV Htg Surface	36.7 Sq. Ft. / 3.41 Sq. M.	Design Data	Max. 160 psig & 250°F
Water Volume	1.3 gal / 4.85 Liters		

* Add circulator amps.

** For incoming gas pressures lower than 5" WC natural or 11" WC propane, consult factory.

BOILER TEMPERATURE RISE / PRESSURE DROP

10°F / 5.5°C				20°F / 11.1°C				
Flow Rate		Pressure Drop		Flow Rate		Pressure Drop		
GPM	L/s	Ft	kPa	GPM	L/s	Ft	kPa	
41.0	2.6	0.49	1.4	20.5	1.3	0.14	0.4	2 Pass
41.0	2.6	3.54	10.4	20.5	1.3	0.98	2.9	4 Pass

WATER HEATER HOURLY RECOVERY CAPACITY (GPH & LPH)

40°F	22°C	60°F	33°C	80°F	44°C	100°F	56°C	120°F	67°C	140°F	78°C
600	2269	400	1513	300	1134	240	908	200	756	171	648

Spectrum 250 model boiler not available for sale in the U.S. market due to DOE regulations.

REP FIRM	_____
SUBMITTED BY	_____
JOB NAME	_____
ARCHITECT	_____
ENGINEER	_____
CONTRACTOR	_____
DATE	_____

SPECTRUM 250

Category I Appliance

Must be vented into a negative pressure vent system.



A Division of Mestek, Inc.
Westfield, MA 01085
(413) 568-9571