

# LCD 400

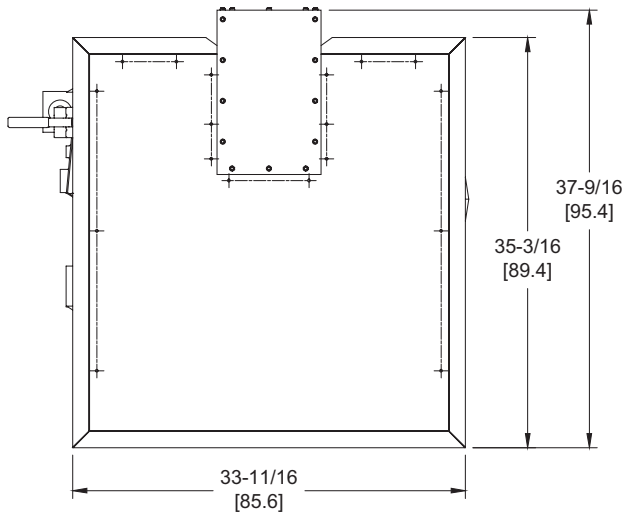
Category I or Category III Appliance

(see Installation and Operation Manual for venting information)

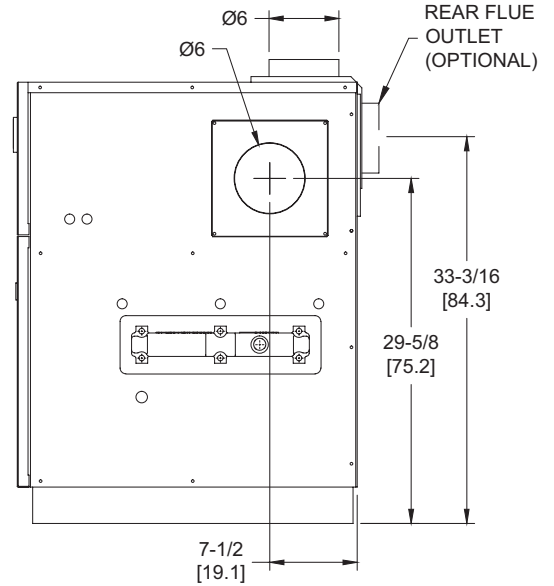
## CODE OPTIONS

CSD-1

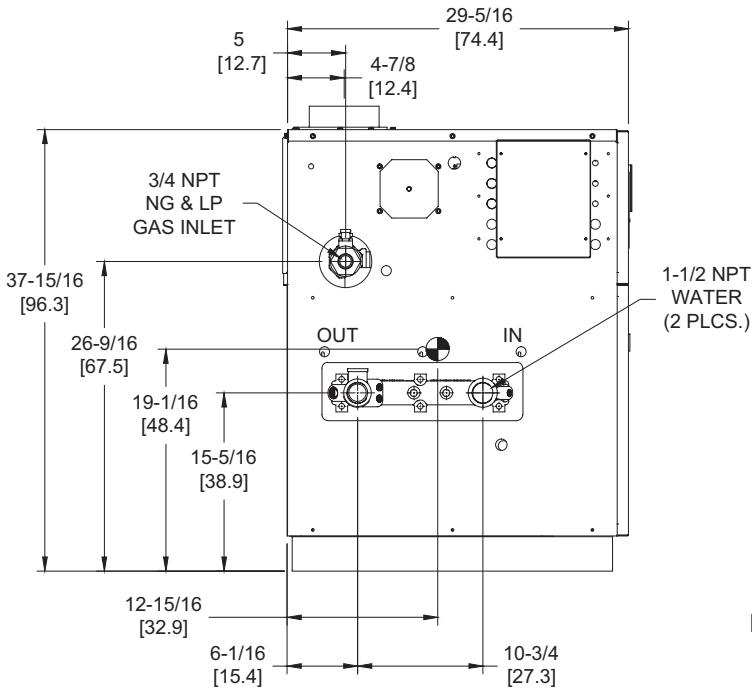
UTC Lockout/Reset Control  
Manual Reset LWCO



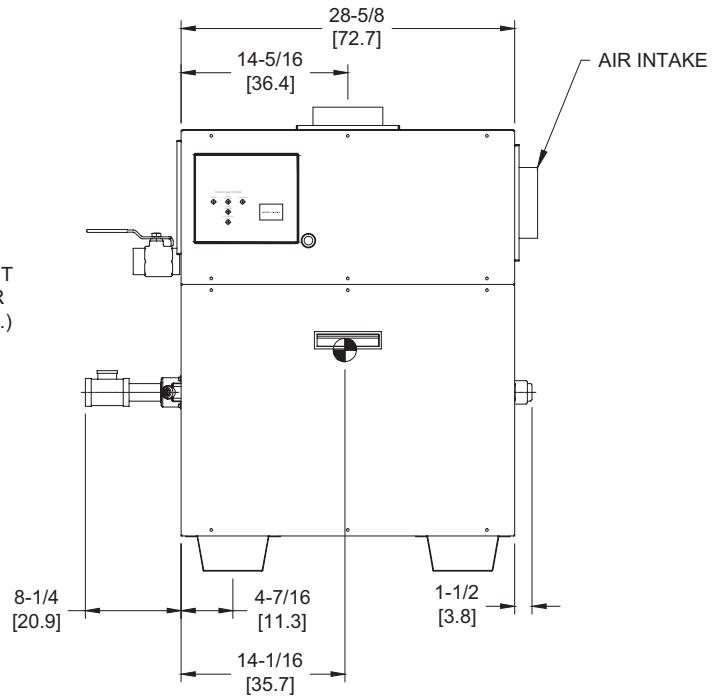
OUTDOOR TOP VIEW



RIGHT VIEW



LEFT VIEW



FRONT VIEW

RSUB-15-F

### Notes:

1. Dimensions are approximate and should not be used to "rough-in" equipment.
2. Dimensions are subject to change without notice.
3. All dimensions are in inches (cm).
4. ● Symbol indicates center of gravity.

## BOILER CERTIFIED RATINGS & CAPACITIES

<b>Fuel Type</b>	Natural/Propane Gas	<b>Boiler FLA</b>	3.8*
<b>Input BTU/hr.</b>	399,000 / 117 kW	<b>Min. Gas Pressure Required</b>	7" WC**
<b>Output BTU/hr.</b>	327,180 / 96 kW	<b>Max. Gas Pressure Allowed</b>	14" WC
<b>Electrical Requirements</b>	120VAC/ 1 ph/ 60 hz	<b>Operating Weight</b>	402 lbs. / 183 kg.

## BOILER / WATER HEATER TRIM & CONTROLS

<b>Main Gas Valve</b>	Honeywell VR8305Q 3/4"	<b>Pilot Valve</b>	Honeywell VR8205Q
<b>Firing Valve</b>	Honeywell B200T1025 3/4"	<b>Air Switch</b>	Cleveland RSS-495
<b>Ignition Control</b>	UTC 1003-61A	<b>Blower Motor</b>	1/5 hp - FLA 3.0
<b>Operating Control (LB)</b>	Jumo	<b>Relief Valve - LB</b>	3/4" x 3/4" set @ 50 psi
<b>High Limit (LB)</b>	Jumo	<b>Flow Switch</b>	TACO

## A.S.M.E.

<b>ASME Sect IV Htg Surface</b>	40.1 Sq. Ft. / 3.73 Sq. M.	<b>Design Data</b>	Max. 160 psig & 250°F
<b>Water Volume</b>	1.4 gal / 5.3 Liters		

\* Add circulator amps.

\*\* For incoming gas pressures lower than 7"WC natural or 11"WC propane, consult factory.

## BOILER TEMPERATURE RISE / PRESSURE DROP

15°F / 8.3°C				20°F / 11.1°C				25°F / 13.9°C			
Flow Rate		Pressure Drop		Flow Rate		Pressure Drop		Flow Rate		Pressure Drop	
GPM	L/s	Ft	kPa	GPM	L/s	Ft	kPa	GPM	L/s	Ft	kPa
43.7	2.8	0.70	2.1	32.8	2.1	0.41	1.2	26.2	1.7	0.27	0.8

**REP FIRM** \_\_\_\_\_  
**SUBMITTED BY** \_\_\_\_\_  
**JOB NAME** \_\_\_\_\_  
**ARCHITECT** \_\_\_\_\_  
**ENGINEER** \_\_\_\_\_  
**CONTRACTOR** \_\_\_\_\_  
**DATE** \_\_\_\_\_

# LCD 400

**Category I or Category III Appliance**  
(see Installation and Operation Manual for venting information)

**RBI**<sup>®</sup>  
RELIABLE. BOLD. INNOVATIVE.

A Division of Mestek, Inc.  
Westfield, MA 01085  
(413) 564-5515