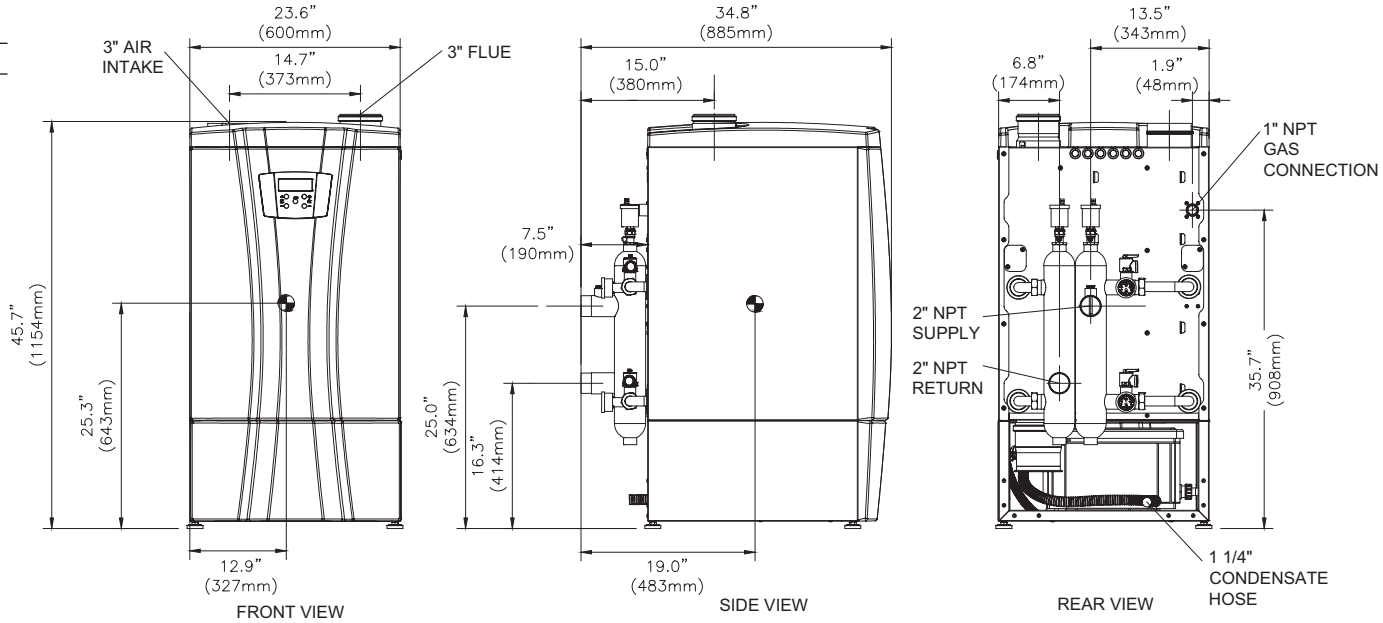


**CODE OPTIONS**

|               |                   |
|---------------|-------------------|
| <b>CSD-1*</b> | Manual Reset LWCO |
|---------------|-------------------|

\*Argus control is factory programmed for one ignition trial.



**Notes:**

1. Dimensions are approximate and should not be used to "rough-in" equipment.
2. Dimensions are subject to change without notice.
3. Ⓞ Symbol indicates center of gravity.

**INFINITE ENERGY 2-199 model water heater not available for sale in the U.S. market due to DOE regulations.**  
**INFINITE ENERGY 2-199 model water heater not available for sale in Canada.**

**BOILER CERTIFIED RATINGS & CAPACITIES**

|                                |                     |                                   |                    |
|--------------------------------|---------------------|-----------------------------------|--------------------|
| <b>Fuel Type</b>               | Natural/Propane Gas | <b>Boiler FLA</b>                 | .92*               |
| <b>Input BTU/hr.</b>           | 200,000 / 59 kW     | <b>Min. Gas Pressure Required</b> | 3" W.C.**          |
| <b>Output BTU/hr.</b>          | 183,600 / 54 kW     | <b>Max. Gas Pressure Allowed</b>  | 13" W.C.           |
| <b>Electrical Requirements</b> | 120VAC/ 1 ph/ 60 hz | <b>Operating Weight</b>           | 225 lbs. / 102 kg. |

**BOILER TEMPERATURE RISE / PRESSURE DROP**

| 25°F / 13.9°C |     | 30°F / 16.7°C |      |           |     | 35°F / 19.4°C |      |           |     |               |      |
|---------------|-----|---------------|------|-----------|-----|---------------|------|-----------|-----|---------------|------|
| Flow Rate     |     | Pressure Drop |      | Flow Rate |     | Pressure Drop |      | Flow Rate |     | Pressure Drop |      |
| GPM           | L/s | Ft            | kPa  | GPM       | L/s | Ft            | kPa  | GPM       | L/s | Ft            | kPa  |
| 14.6          | .9  | 14.0          | 41.8 | 12.2      | .8  | 10.1          | 30.2 | 10.4      | .7  | 8.0           | 23.9 |

**BOILER / WATER HEATER TRIM & CONTROLS**

|                          |               |                          |                       |
|--------------------------|---------------|--------------------------|-----------------------|
| <b>Main Gas Valve</b>    | Sit 848 Sigma | <b>Air Switch</b>        | HUBA                  |
| <b>Ignition Control</b>  | Argus         | <b>Blower Motor</b>      | EBM                   |
| <b>Operating Control</b> | Argus         | <b>Relief Valve - IW</b> | 3/4" x 3/4" @ 125 psi |
| <b>High Limit</b>        | J2D-AOVJ      | <b>Relief Valve - IB</b> | 3/4" x 3/4" @ 50 psi  |

**WATER HEATER HOURLY RECOVERY CAPACITY (GPH & LPH)**

|      |      |      |      |      |      |       |      |       |      |       |      |
|------|------|------|------|------|------|-------|------|-------|------|-------|------|
| 40°F | 22°C | 60°F | 33°C | 80°F | 44°C | 100°F | 56°C | 120°F | 67°C | 140°F | 78°C |
| 566  | 2140 | 377  | 1427 | 283  | 1070 | 226   | 856  | 189   | 713  | 162   | 611  |

**A.S.M.E.**

|                                 |                           |                    |                       |
|---------------------------------|---------------------------|--------------------|-----------------------|
| <b>ASME Sect IV Htg Surface</b> | 4.80 Sq. Ft. / .45 Sq. M. | <b>Design Data</b> | Max. 160 psig & 210°F |
| <b>Water Volume</b>             | 1.7 gal / 6.43 Liters     |                    |                       |

\* Add circulator amps.  
 \*\* For incoming gas pressures lower than 3" W.C. natural or propane, consult factory.

|                     |       |   |
|---------------------|-------|---|
| <b>REP FIRM</b>     | _____ | <b>INFINITE ENERGY 2-199</b><br><b>Category II or IV Appliance</b><br>(see Installation and Operation Manual for venting information)                     |
| <b>SUBMITTED BY</b> | _____ |   |
| <b>JOB NAME</b>     | _____ |   |
| <b>ARCHITECT</b>    | _____ |   |
| <b>ENGINEER</b>     | _____ |   |
| <b>CONTRACTOR</b>   | _____ |   |
| <b>DATE</b>         | _____ |  A Division of Mestek, Inc.<br>Westfield, MA 01085<br>(413) 568-9571 |