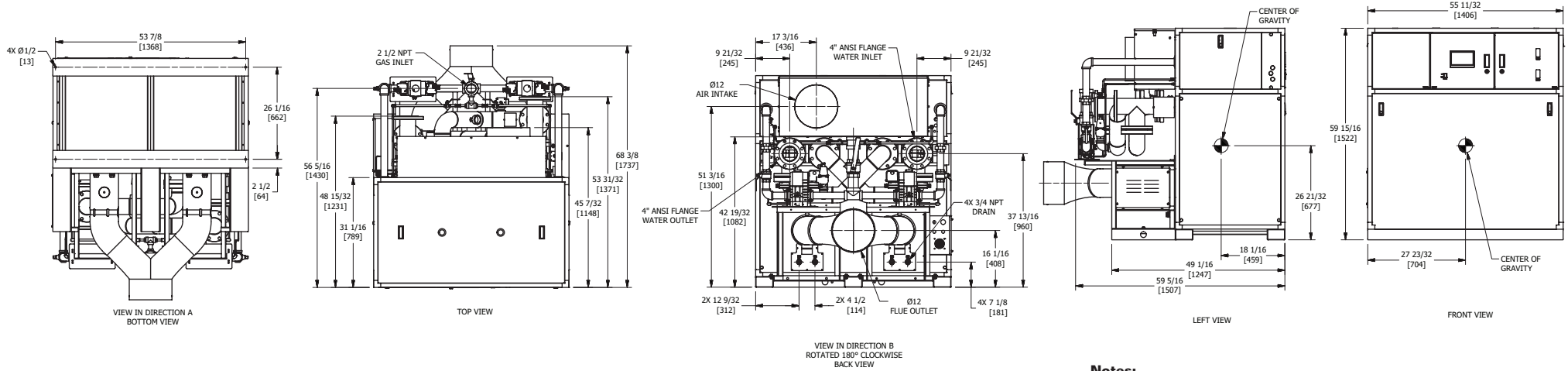


INDOOR UNIT



Notes:

1. Dimensions are approximate and should not be used to "rough-in" equipment.
2. Dimensions are subject to change without notice.
3. All dimensions are in inches (mm).

BOILER CERTIFIED RATINGS & CAPACITIES

Fuel Type	Natural/Propane Gas	Boiler FLA	16.9* @ 230V
Input BTU/hr.	6,000,000 / 1758 kW	Min. Gas Pressure Required	3.5" WC**
Output BTU/hr.	5,244,000 / 1537 kW	Max. Gas Pressure Allowed	14" WC
Electrical Requirements	(L1, L2, L3, GND) 230 VAC / 3PH / 60Hz	Operating Weight	2958 lbs / 1342 kgs

BOILER TEMPERATURE RISE / PRESSURE DROP

20°F / 11.1°C				25°F / 13.9°C				30°F / 16.7°C				35°F / 19.4°C			
Flow Rate		Pressure Drop		Flow Rate		Pressure Drop		Flow Rate		Pressure Drop		Flow Rate		Pressure Drop	
GPM	L/s	Ft	kPa	GPM	L/s	Ft	kPa	GPM	L/s	Ft	kPa	GPM	L/s	Ft	kPa
524.6	33.1	13.2	39.6	419.7	26.5	8.5	25.3	349.7	22.1	5.9	17.6	299.8	18.9	4.3	12.9

BOILER / WATER HEATER TRIM & CONTROLS

Main Gas Valve Body (2)	Dungs MBC 2500	High Limit (Manual Reset)	Jumo
Firing Valve (2)	Honeywell B200T1066 1-1/2"	High Limit (Auto Reset)	Jumo
Main Ball Valve	2-1/2"	Blocked Flue Switch	HUBA
Manual Pilot Valve	1/4" Honeywell B528	Air Switch	HUBA
Pilot Regulator	White-Rodgers 25m	Blower Motor (2)	American Fan 3 HP - FLA 8
Ignition Control (2)	Honeywell RM7895C	Relief Valve - MB (2)	1-1/4" x 1-1/2" set @ 50 psi
Operating Control	HeatNet®	Flow Switch (2)	ITT FS8W

A.S.M.E.

ASME Sect IV Htg Surface	650.0 Sq. Ft. / 60.38 Sq. M.	Design Data	Max. 160 psig & 250°F
Water Volume	25.6 gal / 96.9 Liters		

* Add circulator amps.

** For incoming gas pressures lower than 3.5" W.C. natural or propane, consult factory.

REP FIRM _____
SUBMITTED BY _____
JOB NAME _____
ARCHITECT _____
ENGINEER _____
CONTRACTOR _____
DATE _____

FUTERA XLF 6000

Category I, II or IV Appliance
(see Installation and Operation Manual for venting information)



A Division of Mestek, Inc.
Westfield, MA 01085
(413) 568-9571