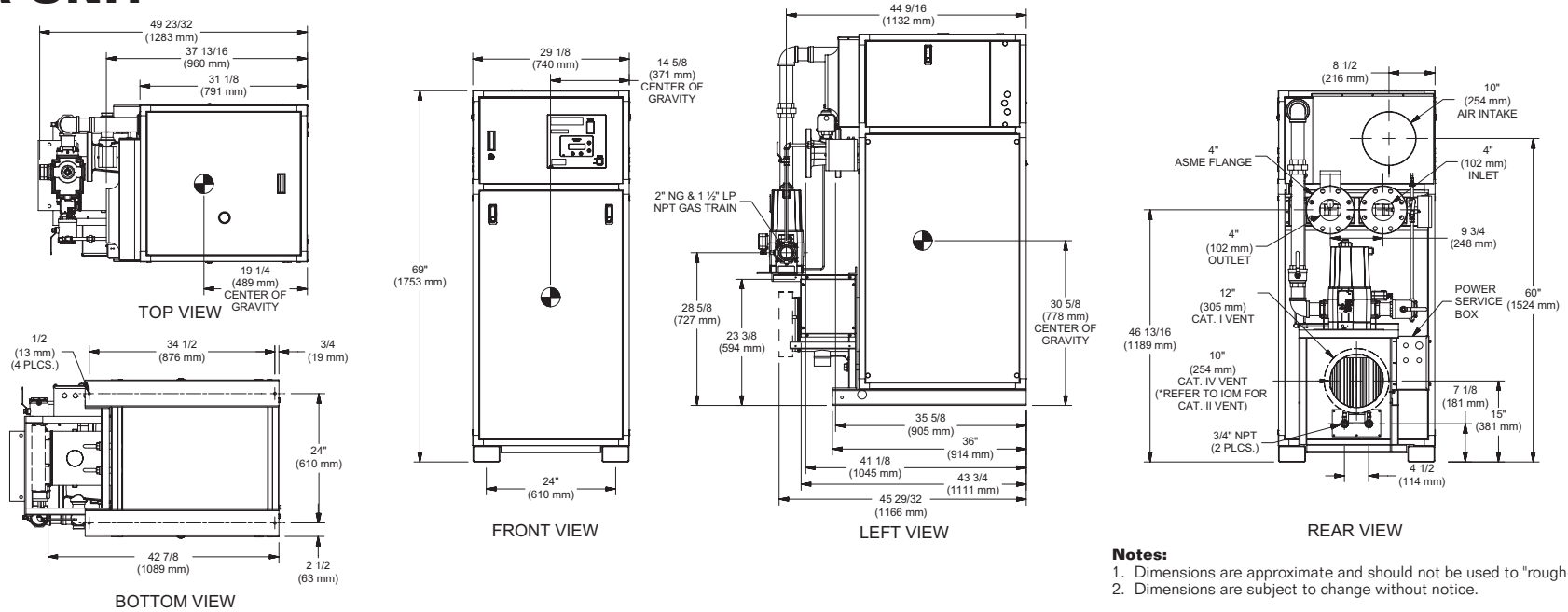


INDOOR UNIT



Notes:
 1. Dimensions are approximate and should not be used to "rough-in" equipment.
 2. Dimensions are subject to change without notice.

BOILER CERTIFIED RATINGS & CAPACITIES

Fuel Type	Natural/Propane Gas	Boiler FLA	10.5* @ 230V
Input BTU/hr.	4,000,000 / 1,172 kW	Min. Gas Pressure Required	3.5" WC**
Output BTU/hr.	3,480,000 / 1,020 kW	Max. Gas Pressure Allowed	14" WC
Electrical Requirements	(L1, L2, NEU, GND) 208-240 VAC / 1PH / 60Hz	Operating Weight	1,535 lbs. / 697 kgs

BOILER TEMPERATURE RISE / PRESSURE DROP

25°F / 13.9°C				30°F / 16.7°C				35°F / 19.4°C			
Flow Rate		Pressure Drop		Flow Rate		Pressure Drop		Flow Rate		Pressure Drop	
GPM	L/s	Ft	kPa	GPM	L/s	Ft	kPa	GPM	L/s	Ft	kPa
278.4†	17.6†	17.30	51.0	232.0	14.6	12.00	35.4	198.9	12.5	10.48	30.9

† Flow exceeds recommended maximum use a greater temperature rise or consult manufacturer.
 Cupronickel heat exchanger should be considered.

BOILER / WATER HEATER TRIM & CONTROLS

Main Gas Valve Body	Dungs MBC 4000	High Limit (Manual Reset)	Jumo
Firing Valve	Honeywell B200T1066 2"	High Limit (Auto Reset)	Jumo
Main Ball Valve	2"	Blocked Flue Switch	HUBA
Manual Pilot Valve	1/4" Honeywell B528	Air Switch	HUBA
Pilot Regulator	White-Rodgers 25M	Blower Motor	American Fan 3 HP - FLA 8
Ignition Control	Honeywell RM7895C	Relief Valve - MB	1-1/2" x 2" set @ 50 psi
Operating Control	HeatNet®	Relief Valve - MW	1" x 1" set @ 125 psi
		Flow Switch	ITT FS8W

WATER HEATER HOURLY RECOVERY CAPACITY (GPH & LPH)

40°F	22°C	60°F	33°C	80°F	44°C	100°F	56°C	120°F	67°C	140°F	78°C
10168	38435	6779	25624	5084	19218	4067	15374	3389	12812	2905	10982

A.S.M.E.

ASME Sect IV Htg Surface	435.0 Sq Ft / 40.41 Sq M	Design Data	Max. 160 psig & 250°F
Water Volume	14.0 gal / 53.00 Liters		

* Add circulator amps.
 ** For incoming gas pressures lower than 3.5" W.C. natural or propane, consult factory.

REP FIRM _____

SUBMITTED BY _____

JOB NAME _____

ARCHITECT _____

ENGINEER _____

CONTRACTOR _____

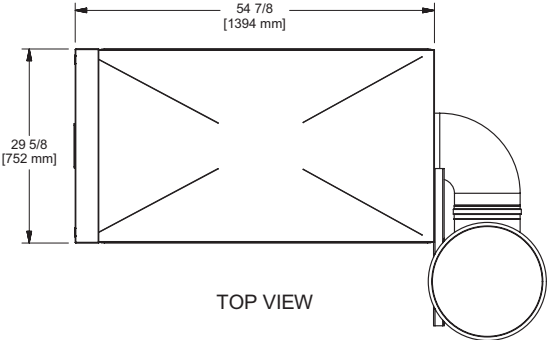
DATE _____

FUTERA XLF 4000

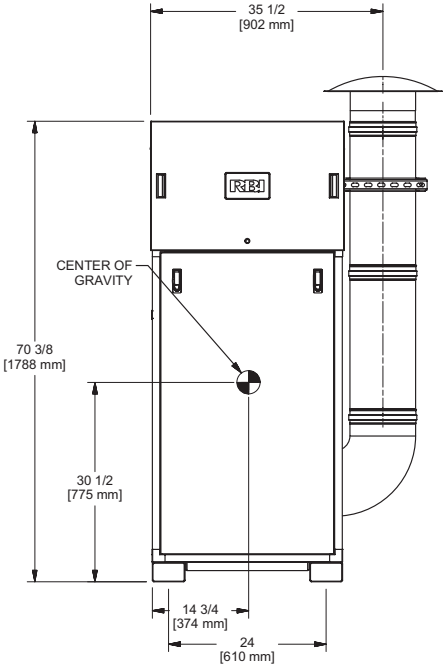
Category I, II or IV Appliance
 (see Installation and Operation Manual for venting information)

RBI® A Division of Mestek, Inc.
 Westfield, MA 01085
 (413) 568-9571

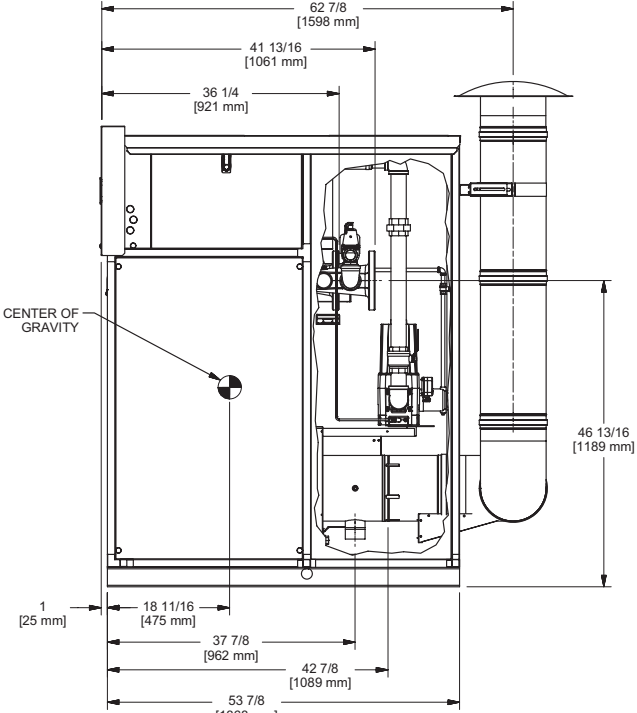
OUTDOOR UNIT



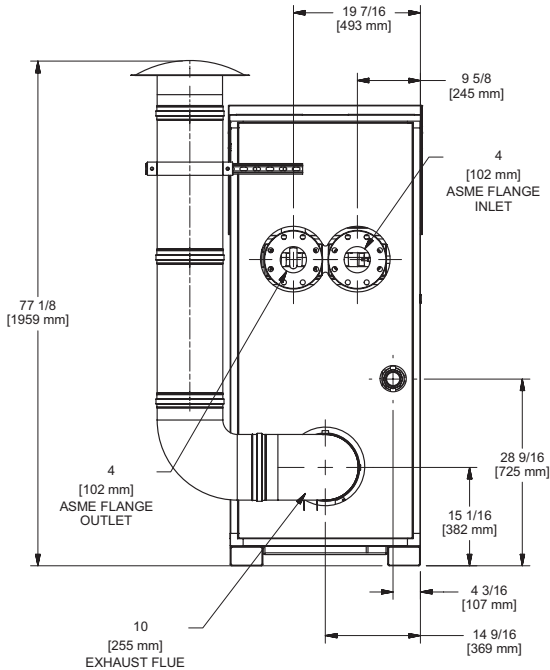
TOP VIEW



FRONT VIEW



SIDE VIEW



BACK VIEW

FUTERA XLF 4000

- Notes:**
1. Dimensions are approximate and should not be used to "rough-in" equipment.
 2. Dimensions are subject to change without notice.