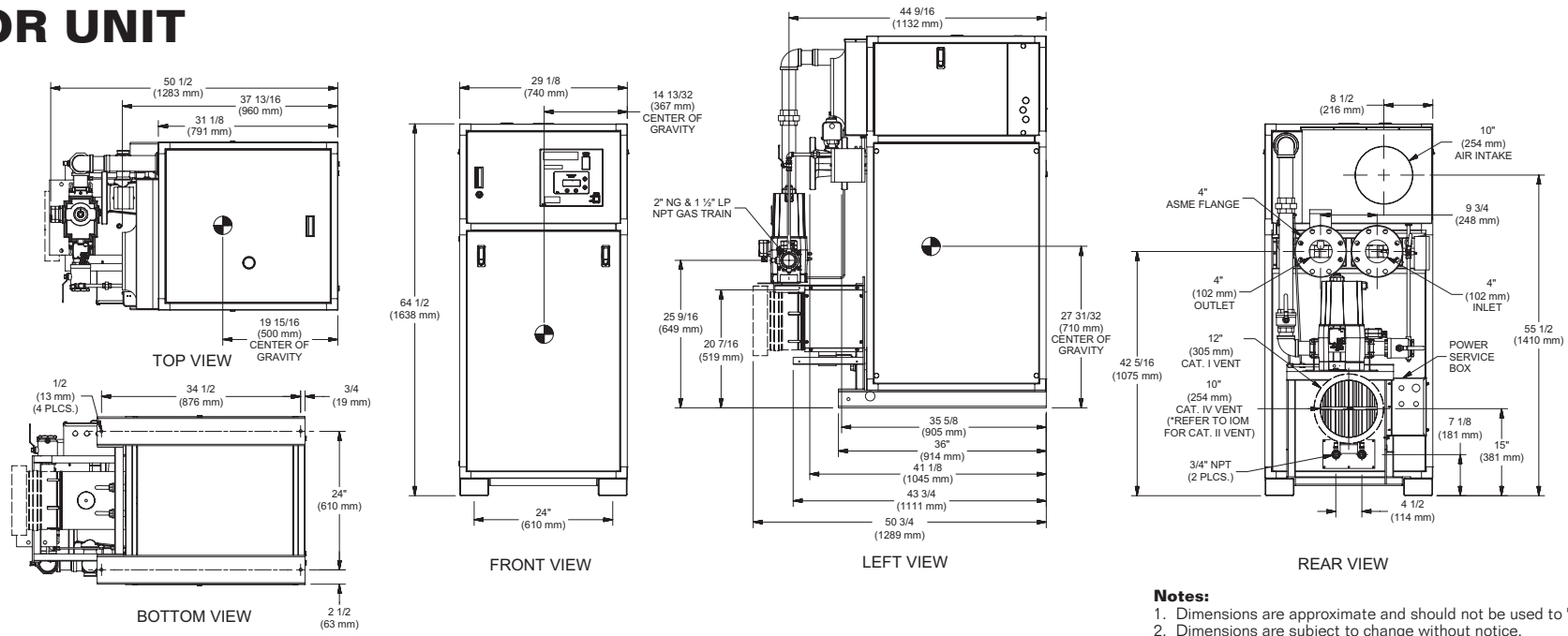


# INDOOR UNIT

RSUB-85 REV C



- Notes:**  
 1. Dimensions are approximate and should not be used to "rough-in" equipment.  
 2. Dimensions are subject to change without notice.

## BOILER CERTIFIED RATINGS & CAPACITIES

<b>Fuel Type</b>	Natural/Propane Gas	<b>Boiler FLA</b>	10.5* @ 230V
<b>Input BTU/hr.</b>	3,500,000 / 1,026 kW	<b>Min. Gas Pressure Required</b>	3.5" WC**
<b>Output BTU/hr.</b>	3,052,000 / 894 kW	<b>Max. Gas Pressure Allowed</b>	14" WC
<b>Electrical Requirements</b>	(L1, L2, NEU, GND) 208-240 VAC / 1PH / 60Hz	<b>Operating Weight</b>	1470 lbs. / 667 kgs

## BOILER TEMPERATURE RISE / PRESSURE DROP

20°F / 11.1°C				25°F / 13.9°C				30°F / 16.7°C				35°F / 19.4°C			
Flow Rate		Pressure Drop		Flow Rate		Pressure Drop		Flow Rate		Pressure Drop		Flow Rate		Pressure Drop	
GPM	L/s	Ft	kPa	GPM	L/s	Ft	kPa	GPM	L/s	Ft	kPa	GPM	L/s	Ft	kPa
305.2†	19.3†	20.26	59.7	244.2	15.4	13.40	39.5	203.5	12.8	9.56	28.2	174.4	11.0	7.19	21.2

† Flow exceeds recommended maximum use a greater temperature rise or consult manufacturer.  
 Cupronickel heat exchanger should be considered.

## BOILER / WATER HEATER TRIM & CONTROLS

<b>Main Gas Valve Body</b>	Dungs MBC 4000	<b>High Limit (Manual Reset)</b>	Jumo
<b>Firing Valve</b>	Honeywell B200T1066 2"	<b>High Limit (Auto Reset)</b>	Jumo
<b>Main Ball Valve</b>	2"	<b>Blocked Flue Switch</b>	HUBA
<b>Manual Pilot Valve</b>	1/4" Honeywell B528	<b>Air Switch</b>	HUBA
<b>Pilot Regulator</b>	White-Rodgers 25M	<b>Blower Motor</b>	American Fan 3 HP - FLA 8
<b>Ignition Control</b>	Honeywell RM7895C	<b>Relief Valve - MB</b>	1-1/2" x 2" set @ 50 psi
<b>Operating Control</b>	HeatNet®	<b>Relief Valve - MW</b>	3/4" x 1" set @ 125 psi
		<b>Flow Switch</b>	ITT FS8W

## WATER HEATER HOURLY RECOVERY CAPACITY (GPH & LPH)

40°F	22°C	60°F	33°C	80°F	44°C	100°F	56°C	120°F	67°C	140°F	78°C
8813	33313	5875	22209	4407	16657	3525	13325	2938	11104	2518	9518

## A.S.M.E.

<b>ASME Sect IV Htg Surface</b>	377.0 Sq Ft / 35.02 Sq M	<b>Design Data</b>	Max. 160 psig & 250°F
<b>Water Volume</b>	13.4 gal / 50.72 Liters		

\* Add circulator amps.  
 \*\* For incoming gas pressures lower than 3.5" W.C. natural or propane, consult factory.

**REP FIRM** \_\_\_\_\_  
**SUBMITTED BY** \_\_\_\_\_  
**JOB NAME** \_\_\_\_\_  
**ARCHITECT** \_\_\_\_\_  
**ENGINEER** \_\_\_\_\_  
**CONTRACTOR** \_\_\_\_\_  
**DATE** \_\_\_\_\_

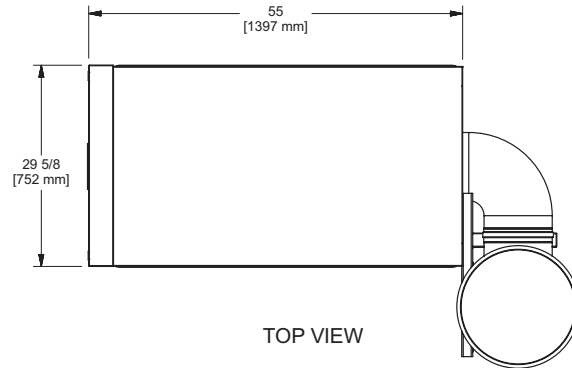
**FUTERA XLF 3500**

**Category I, II or IV Appliance**  
 (see Installation and Operation Manual for venting information)

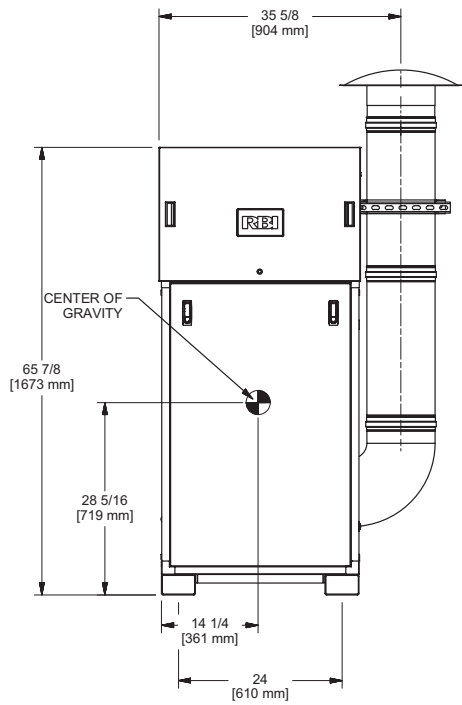
**RBI**® A Division of Mestek, Inc.  
 Westfield, MA 01085  
 (413) 568-9571  
RELIABLE. BOLD. INNOVATIVE.

# OUTDOOR UNIT

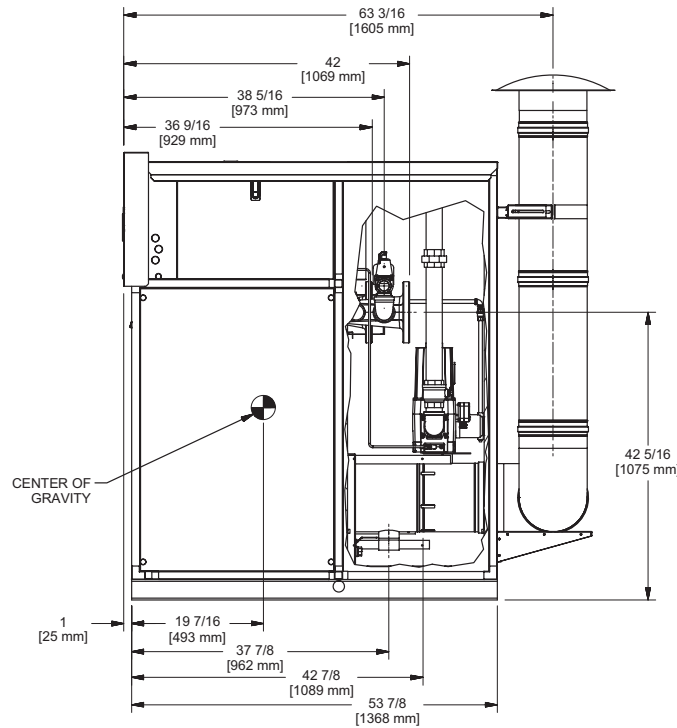
RSUB-138 REV D



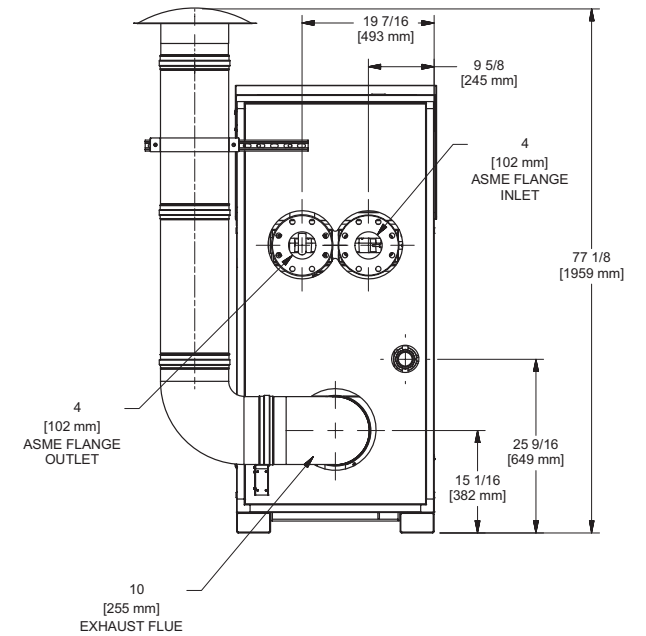
TOP VIEW



FRONT VIEW



SIDE VIEW



BACK VIEW

**FUTERA XLF 3500**

**Notes:**

1. Dimensions are approximate and should not be used to "rough-in" equipment.
2. Dimensions are subject to change without notice.