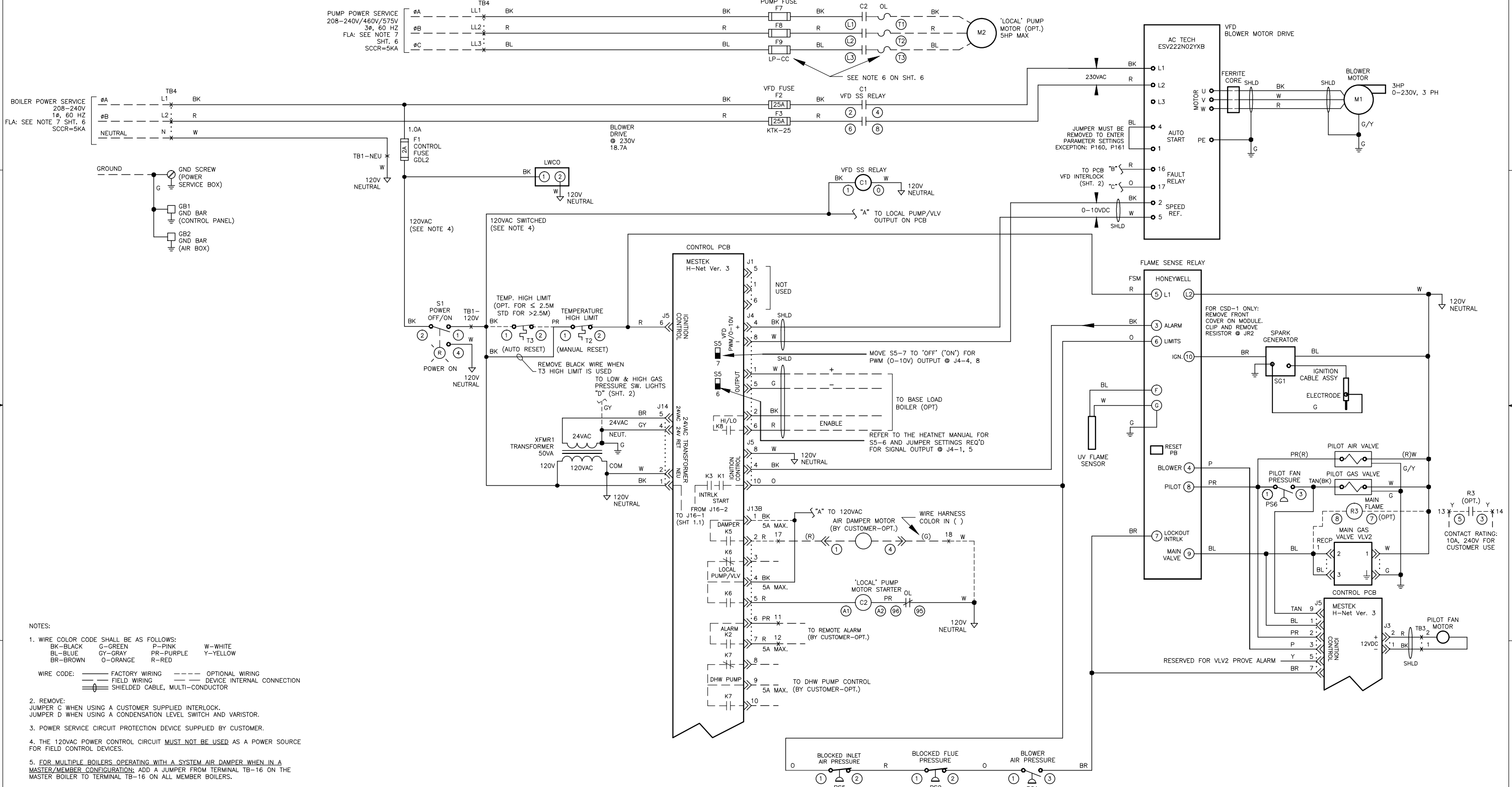


| REVISIONS | | | | |
|-----------|--------|----------|----------|----------|
| REV. | EN NO. | DATE | DRAWN BY | APPROVED |
| L | 10754 | 12/01/16 | LAH | JAS |

| PUMP | | |
|------------|-----------|-----------|
| 230V | 460V | 575V |
| 2HP: 6.8A | 2HP: 3.4A | 2HP: 2.7A |
| 3HP: 9.6A | 3HP: 4.8A | 3HP: 3.9A |
| 5HP: 15.2A | 5HP: 7.6A | 5HP: 6.1A |

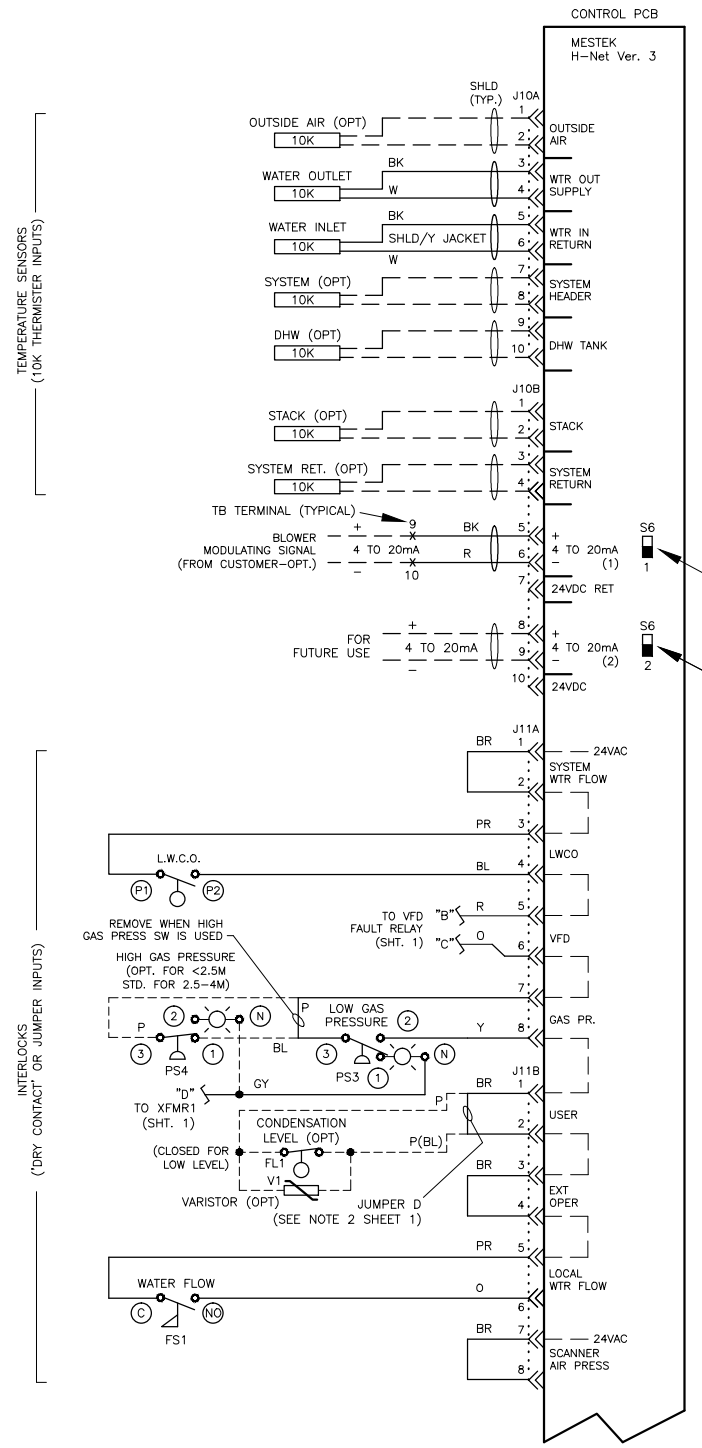


- NOTES:
- WIRE COLOR CODE SHALL BE AS FOLLOWS:
 BK-BLACK G-GREEN P-PINK W-WHITE
 BL-BLUE GY-GRAY PR-PURPLE Y-YELLOW
 BR-BROWN O-ORANGE R-RED
 - REMOVE:
 JUMPER C WHEN USING A CUSTOMER SUPPLIED INTERLOCK.
 JUMPER D WHEN USING A CONDENSATION LEVEL SWITCH AND VARISTOR.
 - POWER SERVICE CIRCUIT PROTECTION DEVICE SUPPLIED BY CUSTOMER.
 - THE 120VAC POWER CONTROL CIRCUIT MUST NOT BE USED AS A POWER SOURCE FOR FIELD CONTROL DEVICES.
 - FOR MULTIPLE BOILERS OPERATING WITH A SYSTEM AIR DAMPER WHEN IN A MASTER/MEMBER CONFIGURATION: ADD A JUMPER FROM TERMINAL TB-16 ON THE MASTER BOILER TO TERMINAL TB-16 ON ALL MEMBER BOILERS.
 - 7 ---
 - HEATNET ONLINE, STAGE 2, 3, 4 AND SYSTEM PUMP 2 OUTPUTS ARE NOT AVAILABLE WITH THE H-NET "LITE" CONTROL PCB.

| DIVISION | PRODUCT | DRAWN BY | DATE | DRAWING DESCRIPTION |
|---|----------------------|-------------|----------|---------------------|
| RBI | MB & MW 2500 TO 4000 | RT | 09/23/08 | LADDER DIAGRAM |
| THE PRINT AND ALL INFORMATION THEREON IS PROPERTY OF THE RBI DIVISION OF MESTEK, INC. NEITHER THE PRINT NOR THE INFORMATION THEREON MAY BE REPRODUCED OR USED IN ANY MANNER WHATSOEVER OR DIVULGED TO ANY OTHER PERSON UNLESS SPECIFICALLY AUTHORIZED BY MESTEK, INC. | | CHECKED BY | DATE | DRAWING NUMBER |
| | | RT | 09/23/08 | 42-0601 |
| | | APPROVED BY | DATE | SHEET |
| | | JPC | 09/23/08 | 1 of 6 |
| | | | | SHEET SIZE |
| | | | | B |
| | | | | SCALE |
| | | | | N/A |
| | | | | REVISION |
| | | | | L |

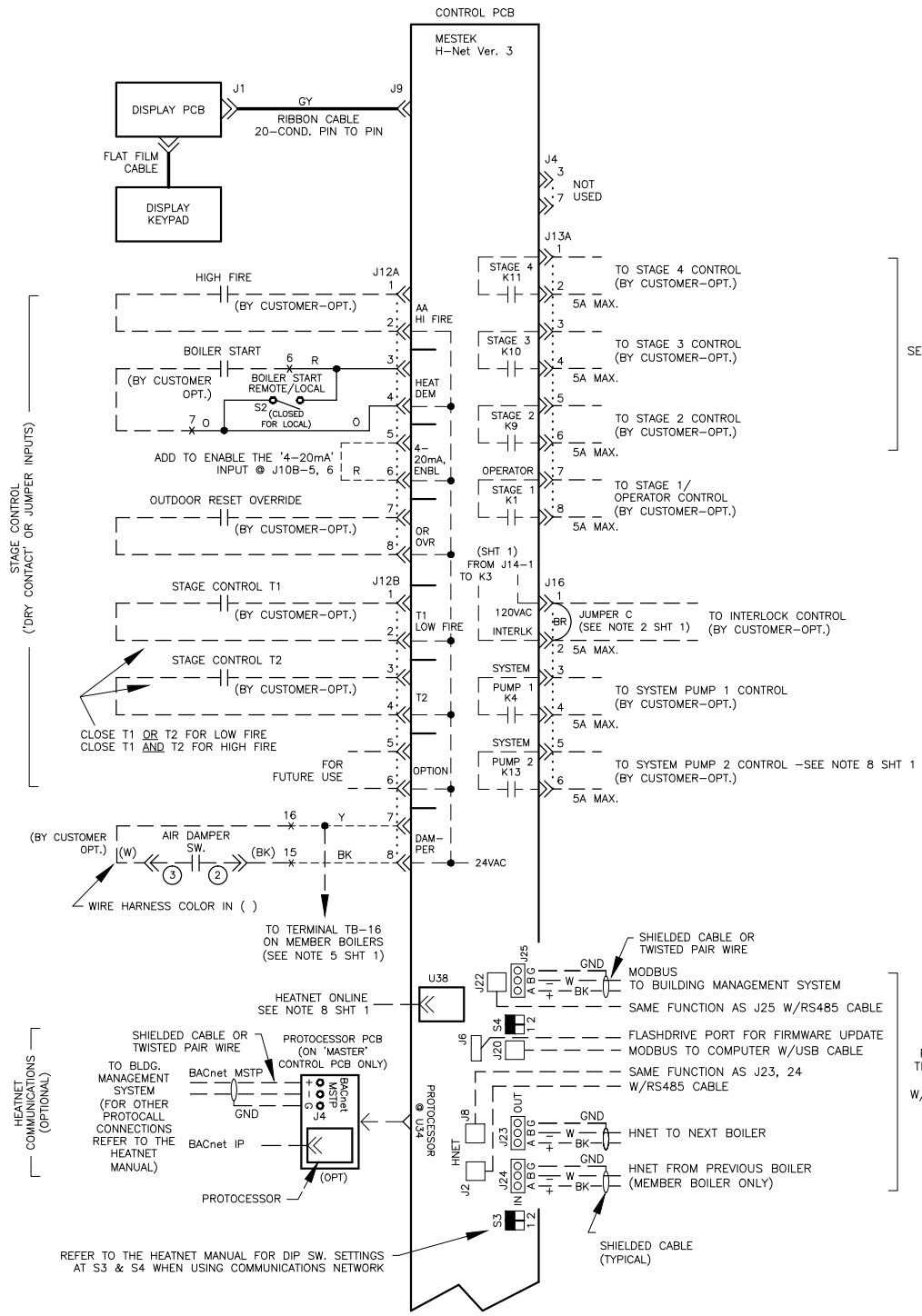
D
C
B
A

D
C
B
A



MOVE S6-1 DOWN (UP) FOR 4-20mA (0-10V) INPUT @ J10B-5, 6

MOVE S6-2 DOWN (UP) FOR 4-20mA (0-10V) INPUT @ J10B-8, 9



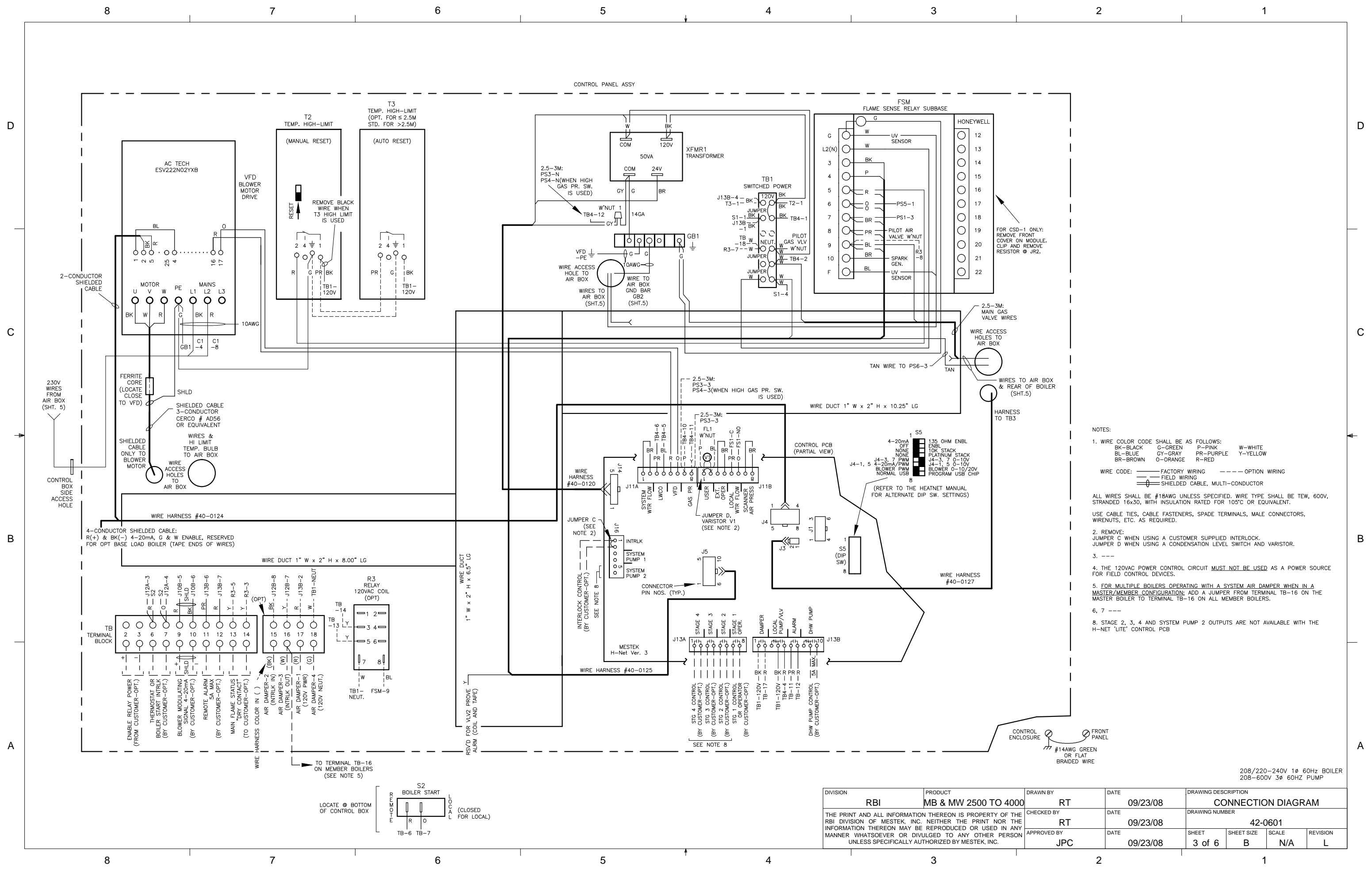
SEE NOTE 8 SHT 1

REFERENCE THE HEATNET MANUAL & W/D 42-0505 (OPTIONAL)

REFER TO THE HEATNET MANUAL FOR DIP SW. SETTINGS AT S3 & S4 WHEN USING COMMUNICATIONS NETWORK

208/220-240V 1Ø 60HZ BOILER
208-600V, 3Ø 60HZ PUMP

| | | | | | | |
|---|----------------------|----------|-------------|---------------------|----------------|------------|
| DIVISION | PRODUCT | DRAWN BY | DATE | DRAWING DESCRIPTION | | |
| RBI | MB & MW 2500 TO 4000 | RT | 09/23/08 | LADDER DIAGRAM | | |
| THE PRINT AND ALL INFORMATION THEREON IS PROPERTY OF THE RBI DIVISION OF MESTEK, INC. NEITHER THE PRINT NOR THE INFORMATION THEREON MAY BE REPRODUCED OR USED IN ANY MANNER WHATSOEVER OR DIVULGED TO ANY OTHER PERSON UNLESS SPECIFICALLY AUTHORIZED BY MESTEK, INC. | | | CHECKED BY | DATE | DRAWING NUMBER | |
| | | | RT | 09/23/08 | 42-0601 | |
| | | | APPROVED BY | DATE | SHEET | SHEET SIZE |
| | | | JPC | 09/23/08 | 2 of 6 | B |
| | | | | | SCALE | REVISION |
| | | | | | N/A | L |



- NOTES:
1. WIRE COLOR CODE SHALL BE AS FOLLOWS:
BK-BLACK G-GREEN P-PINK W-WHITE
BL-BLUE GY-GRAY PR-PURPLE Y-YELLOW
BR-BROWN O-ORANGE R-RED
 2. REMOVE JUMPER C WHEN USING A CUSTOMER SUPPLIED INTERLOCK. JUMPER D WHEN USING A CONDENSATION LEVEL SWITCH AND VARISTOR.
 3. ---
 4. THE 120VAC POWER CONTROL CIRCUIT MUST NOT BE USED AS A POWER SOURCE FOR FIELD CONTROL DEVICES.
 5. FOR MULTIPLE BOILERS OPERATING WITH A SYSTEM AIR DAMPER WHEN IN A MASTER/MEMBER CONFIGURATION: ADD A JUMPER FROM TERMINAL TB-16 ON THE MASTER BOILER TO TERMINAL TB-16 ON ALL MEMBER BOILERS.
 - 6, 7 ---
 8. STAGE 2, 3, 4 AND SYSTEM PUMP 2 OUTPUTS ARE NOT AVAILABLE WITH THE H-NET "LITE" CONTROL PCB
- WIRE CODE: ——— FACTORY WIRING - - - - - OPTION WIRING
——— FIELD WIRING
——— SHIELDED CABLE, MULTI-CONDUCTOR
- ALL WIRES SHALL BE #18AWG UNLESS SPECIFIED. WIRE TYPE SHALL BE TEW, 600V, STRANDED 16x30, WITH INSULATION RATED FOR 105°C OR EQUIVALENT.
USE CABLE TIES, CABLE FASTENERS, SPADE TERMINALS, MALE CONNECTORS, WIRENUTS, ETC. AS REQUIRED.

208/220-240V 1ø 60Hz BOILER
208-600V 3ø 60Hz PUMP

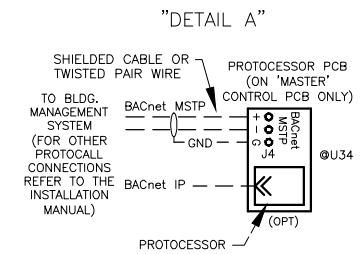
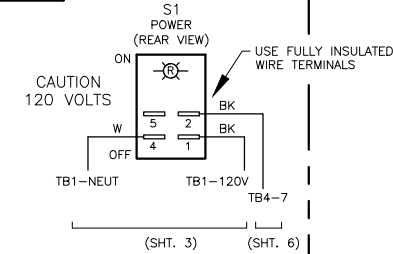
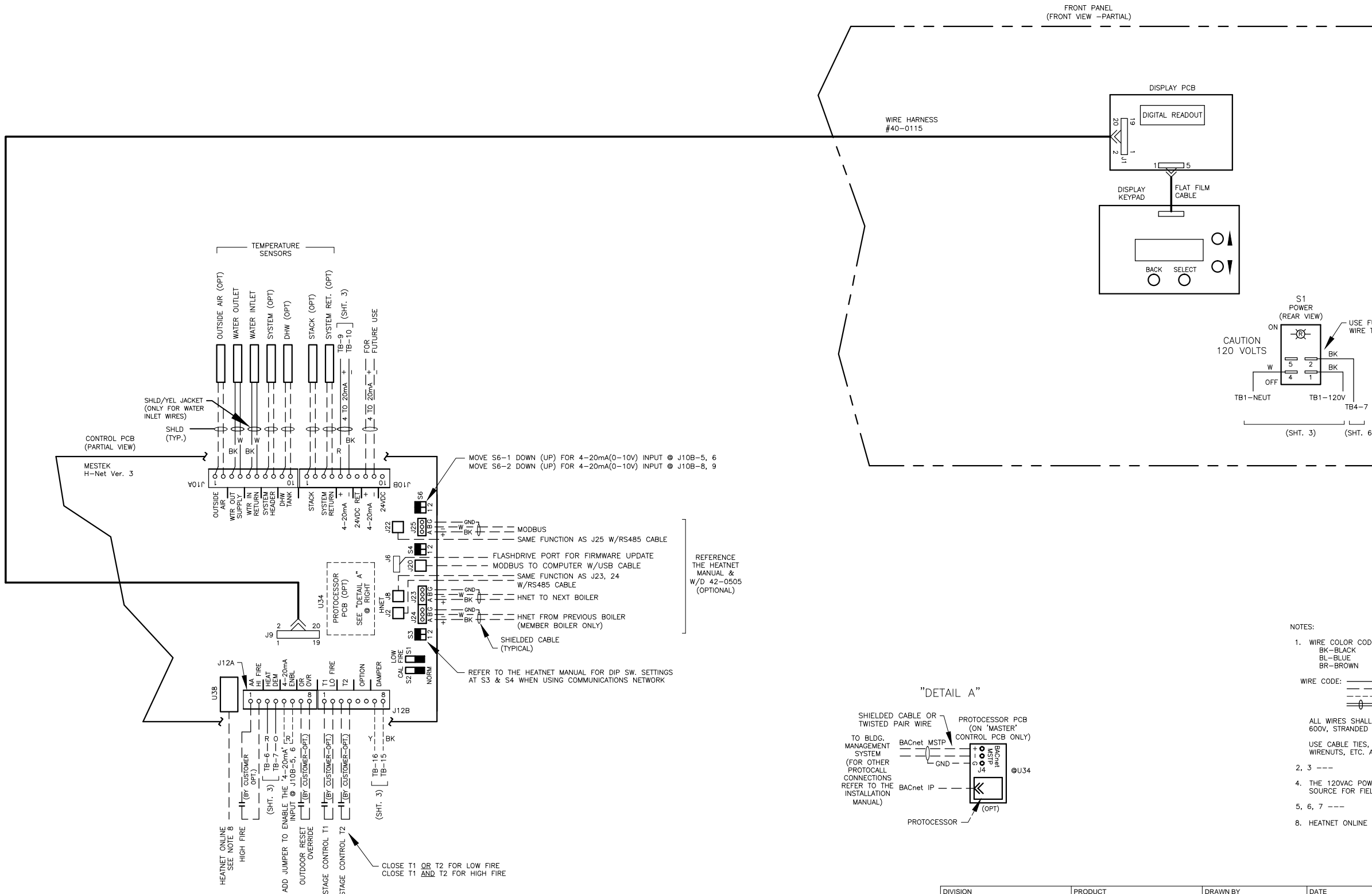
| | | | | | | |
|---|----------------------|----------|------------|---------------------|----------|----------------|
| DIVISION | PRODUCT | DRAWN BY | DATE | DRAWING DESCRIPTION | | |
| RBI | MB & MW 2500 TO 4000 | RT | 09/23/08 | CONNECTION DIAGRAM | | |
| THE PRINT AND ALL INFORMATION THEREON IS PROPERTY OF THE RBI DIVISION OF MESTEK, INC. NEITHER THE PRINT NOR THE INFORMATION THEREON MAY BE REPRODUCED OR USED IN ANY MANNER WHATSOEVER OR DIVULGED TO ANY OTHER PERSON UNLESS SPECIFICALLY AUTHORIZED BY MESTEK, INC. | | | | CHECKED BY | DATE | DRAWING NUMBER |
| | | | | RT | 09/23/08 | 42-0601 |
| APPROVED BY | DATE | SHEET | SHEET SIZE | SCALE | REVISION | |
| JPC | 09/23/08 | 3 of 6 | B | N/A | L | |

D

C

B

A



- NOTES:
1. WIRE COLOR CODE SHALL BE AS FOLLOWS:
 BK-BLACK G-GREEN P-PINK W-WHITE
 BL-BLUE GR-GRAY PR-PURPLE Y-YELLOW
 BR-BROWN O-ORANGE R-RED
 2. WIRE CODE: --- FACTORY WIRING
 - - - FIELD WIRING
 - - - OPTION WIRING
 ≡ ≡ ≡ SHIELDED CABLE, MULTI-CONDUCTOR
 3. ALL WIRES SHALL BE #18AWG UNLESS SPECIFIED. WIRE TYPE SHALL BE TEW, 600V, STRANDED 16x30, WITH INSULATION RATED FOR 105°C OR EQUIVALENT.
 4. USE CABLE TIES, CABLE FASTENERS, SPADE TERMINALS, MALE CONNECTORS, WIRENUTS, ETC. AS REQUIRED.
 5. THE 120VAC POWER CONTROL CIRCUIT MUST NOT BE USED AS A POWER SOURCE FOR FIELD CONTROL DEVICES.
 6. 7. ---
 8. HEATNET ONLINE NOT AVAILABLE WITH THE H-NET 'LITE' CONTROL PCB.

208/220-240V 1ø 60Hz BOILER
208-600V 3ø 60Hz PUMP

| | | | | | | |
|---|----------------------|----------|------------|---------------------|----------|----------------|
| DIVISION | PRODUCT | DRAWN BY | DATE | DRAWING DESCRIPTION | | |
| RBI | MB & MW 2500 TO 4000 | RT | 09/23/08 | CONNECTION DIAGRAM | | |
| THE PRINT AND ALL INFORMATION THEREON IS PROPERTY OF THE RBI DIVISION OF MESTEK, INC. NEITHER THE PRINT NOR THE INFORMATION THEREON MAY BE REPRODUCED OR USED IN ANY MANNER WHATSOEVER OR DIVULGED TO ANY OTHER PERSON UNLESS SPECIFICALLY AUTHORIZED BY MESTEK, INC. | | | | CHECKED BY | DATE | DRAWING NUMBER |
| | | | | RT | 09/23/08 | 42-0601 |
| APPROVED BY | DATE | SHEET | SHEET SIZE | SCALE | REVISION | |
| JPC | 09/23/08 | 4 of 6 | B | N/A | L | |

D

C

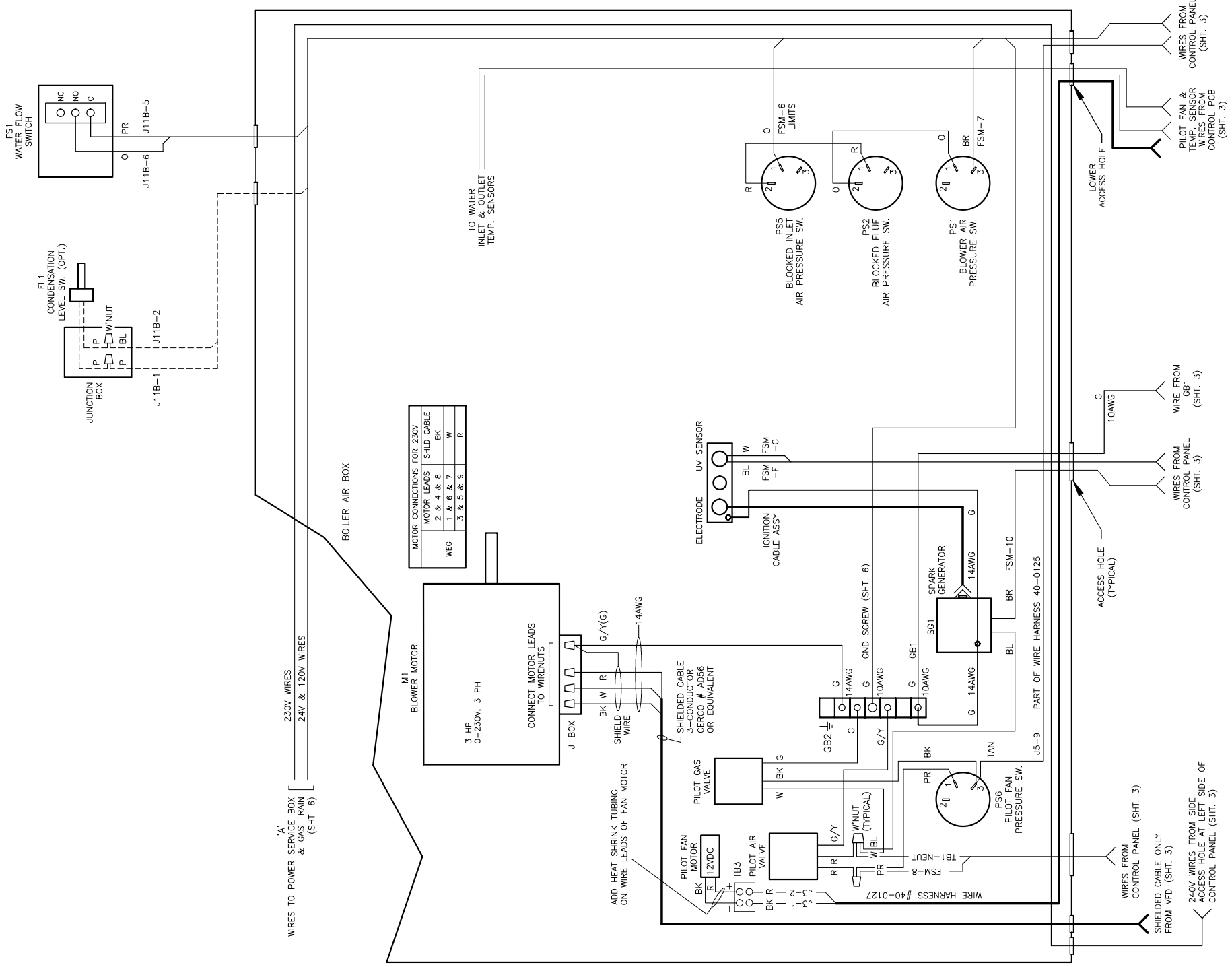
B

A

NOTES:
 1. WIRE COLOR CODE SHALL BE AS FOLLOWS:
 BK-BLACK G-GREEN P-PINK W-WHITE
 BL-BLUE GY-GRAY PA-PURPLE Y-YELLOW
 BR-BROWN O-ORANGE R-RED

WIRE CODE:
 --- FACTORY WIRING
 --- OPTION WIRING
 --- SHIELDED CABLE, MULTI-CONDUCTOR

ALL WIRES SHALL BE #18AWG UNLESS SPECIFIED. WIRE TYPE SHALL BE TEW, 600V, STRANDED 18AWG, WITH INSULATION RATED FOR 105°C OR EQUIVALENT. USE CABLE TIES, CABLE FASTENERS, SPADE TERMINALS, MALE CONNECTORS, WIRENUTS, ETC. AS REQUIRED.



MOTOR CONNECTIONS FOR 230V

| MOTOR LEADS | SHLD CABLE |
|-------------|------------|
| 2 & 4 & 8 | BK |
| 1 & 6 & 7 | W |
| 3 & 5 & 9 | R |

208/220-240V 1ø 60Hz BOILER
 208-600V 3ø 60Hz PUMP

| | | | | | | |
|---|----------------------|----------|-------------|---------------------|----------------|------------|
| DIVISION | PRODUCT | DRAWN BY | DATE | DRAWING DESCRIPTION | | |
| RBI | MB & MW 2500 TO 4000 | RT | 09/23/08 | CONNECTION DIAGRAM | | |
| THE PRINT AND ALL INFORMATION THEREON IS PROPERTY OF THE RBI DIVISION OF MESTEK, INC. NEITHER THE PRINT NOR THE INFORMATION THEREON MAY BE REPRODUCED OR USED IN ANY MANNER WHATSOEVER OR DIVULGED TO ANY OTHER PERSON UNLESS SPECIFICALLY AUTHORIZED BY MESTEK, INC. | | | CHECKED BY | DATE | DRAWING NUMBER | |
| | | | RT | 09/23/08 | 42-0601 | |
| | | | APPROVED BY | DATE | SHEET | SHEET SIZE |
| | | | JPC | 09/23/08 | 5 of 6 | B |
| | | | | | SCALE | REVISION |
| | | | | | N/A | L |

7. POWER SERVICE AS FOLLOWS:

ELA. FOR BOILER: 19.7A @ 230V, 1φ

ELA. FOR 'LOCAL' PUMP MOTOR:

| PUMP HP | 230V, 3φ | 460V, 3φ | 575V, 3φ |
|---------|----------|----------|----------|
| 2 | 6.8 | 3.4 | 2.7 |
| 3 | 9.6 | 4.8 | 3.9 |
| 5 | 15.2 | 7.6 | 6.1 |

'LOCAL' PUMP FLA ARE BASED ON THE FLA RATINGS FOR 3φ AC INDUCTION MOTORS AS LISTED IN ARTICLE 430 OF THE NATIONAL ELECTRICAL CODE.

NOTES:

1. ALL WIRES SHALL BE #18AWG UNLESS SPECIFIED. WIRE TYPE SHALL BE TEW, 600V, STRANDED 16x30, WITH INSULATION RATED FOR 105°C OR EQUIVALENT.

WIRE COLOR CODE SHALL BE AS FOLLOWS:

- BL-BLACK
- BR-BROWN
- GY-GRAY
- OR-ORANGE
- PR-PURPLE
- PK-PINK
- RD-RED
- W-WHITE
- Y-YELLOW

WIRE CODE: --- FACTORY WIRING

--- OPTION WIRING

--- SHIELDED CABLE

--- MULTI-CONDUCTOR

USE CABLE TIES, CABLE FASTENERS, SPADE TERMINALS, MALE CONNECTORS, WIRENUTS, ETC. AS REQUIRED.

2. ---

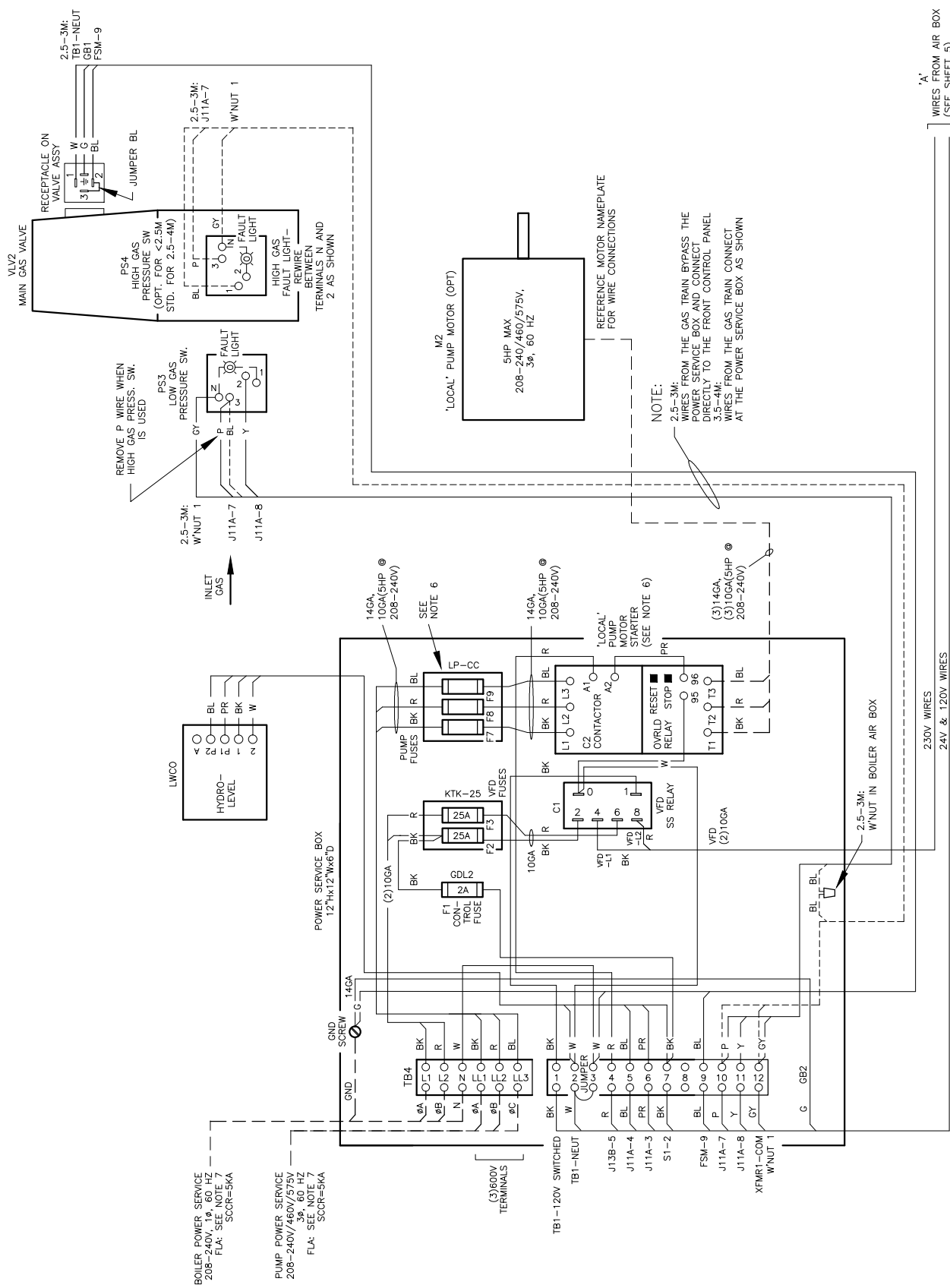
3. POWER SERVICE CIRCUIT PROTECTION DEVICE SUPPLIED BY CUSTOMER.

4. 5 ---

6. 'LOCAL' PUMP MOTOR CONTACTOR, OVERLOAD RELAY AND FUSE PART NOS. PER THE FOLLOWING:

| PUMP HP | 208-240V, 3φ | 460V, 3φ | 575V, 3φ |
|---------------------------------|----------------|----------------|----------------|
| CONTRACTOR SCHNEIDER ELECT. | LC1D1207 | LC1D0967 | LC1D0967 |
| OVERLOAD SCHNEIDER ELECT. | LRD12 (5.5-8A) | LRD08 (2.5-4A) | LRD08 (2.5-4A) |
| | LRD16 (9-13A) | LRD10 (4-6A) | LRD08 (2.5-4A) |
| | LRD21 (12-18A) | LRD12 (5.5-8A) | LRD12 (5.5-8A) |
| PUMP FUSE BUSMANN OR EQUIVALENT | LP-CC-10 | LP-CC-5 | LP-CC-5 |
| | LP-CC-15 | LP-CC-7 | LP-CC-6 |
| | LP-CC-25 | LP-CC-12 | LP-CC-10 |

PART NOS. ARE BASED ON THE FLA RATINGS FOR 3φ AC INDUCTION MOTORS AS LISTED IN ARTICLE 430 OF THE NATIONAL ELECTRICAL CODE.



| | | | | | | |
|---|----------------------|----------|------------|---------------------|----------|----------------|
| DIVISION | PRODUCT | DRAWN BY | DATE | DRAWING DESCRIPTION | | |
| RBI | MB & MW 2500 TO 4000 | RT | 09/23/08 | CONNECTION DIAGRAM | | |
| THE PRINT AND ALL INFORMATION THEREON IS PROPERTY OF THE RBI DIVISION OF MESTEK, INC. NEITHER THE PRINT NOR THE INFORMATION THEREON MAY BE REPRODUCED OR USED IN ANY MANNER WHATSOEVER OR DIVULGED TO ANY OTHER PERSON UNLESS SPECIFICALLY AUTHORIZED BY MESTEK, INC. | | | | CHECKED BY | DATE | DRAWING NUMBER |
| | | | | RT | 09/23/08 | 42-0601 |
| APPROVED BY | DATE | SHEET | SHEET SIZE | SCALE | REVISION | |
| JPC | 09/23/08 | 6 of 6 | B | N/A | L | |

208/220-240V 1φ 60Hz BOILER
208-600V 3φ 60Hz PUMP