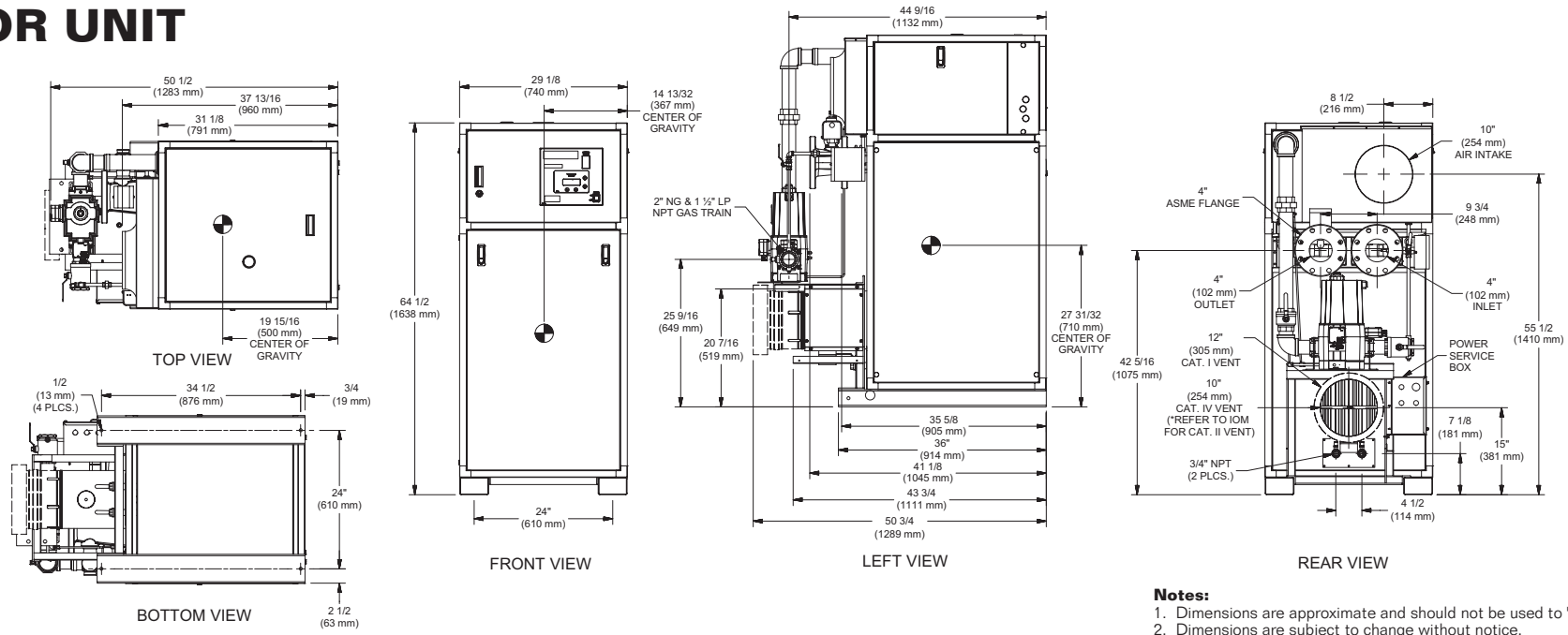


INDOOR UNIT

RSUB-85 REV C



- Notes:**
 1. Dimensions are approximate and should not be used to "rough-in" equipment.
 2. Dimensions are subject to change without notice.

BOILER CERTIFIED RATINGS & CAPACITIES

Fuel Type	Natural/Propane Gas	Boiler FLA	19.7* @ 230V
Input BTU/hr.	3,500,000 / 1,026 kW	Min. Gas Pressure Required	3.5" WC**
Output BTU/hr.	3,052,000 / 894 kW	Max. Gas Pressure Allowed	14" WC
Electrical Requirements	(L1, L2, NEU, GND) 208-240 VAC / 1PH / 60Hz	Operating Weight	1470 lbs. / 667 kgs

BOILER TEMPERATURE RISE / PRESSURE DROP

20°F / 11.1°C				25°F / 13.9°C				30°F / 16.7°C				35°F / 19.4°C			
Flow Rate		Pressure Drop		Flow Rate		Pressure Drop		Flow Rate		Pressure Drop		Flow Rate		Pressure Drop	
GPM	L/s	Ft	kPa	GPM	L/s	Ft	kPa	GPM	L/s	Ft	kPa	GPM	L/s	Ft	kPa
305.2†	19.3†	20.26	59.7	244.2	15.4	13.40	39.5	203.5	12.8	9.56	28.2	174.4	11.0	7.19	21.2

† Flow exceeds recommended maximum use a greater temperature rise or consult manufacturer.
 Cupronickel heat exchanger should be considered.

BOILER / WATER HEATER TRIM & CONTROLS

Main Gas Valve Body	Dungs MBC 4000	High Limit (Manual Reset)	Jumo
Firing Valve	Honeywell B200T1066 2"	High Limit (Auto Reset)	Jumo
Main Ball Valve	2"	Blocked Flue Switch	HUBA
Manual Pilot Valve	1/4" Honeywell B528	Air Switch	HUBA
Pilot Regulator	White-Rodgers 25M	Blower Motor	American Fan 3 HP - FLA 8
Ignition Control	Honeywell RM7895C	Relief Valve - MB	1-1/2" x 2" set @ 50 psi
Operating Control	HeatNet®	Relief Valve - MW	3/4" x 1" set @ 125 psi
		Flow Switch	ITT FS8W

WATER HEATER HOURLY RECOVERY CAPACITY (GPH & LPH)

40°F	22°C	60°F	33°C	80°F	44°C	100°F	56°C	120°F	67°C	140°F	78°C
8813	33313	5875	22209	4407	16657	3525	13325	2938	11104	2518	9518

A.S.M.E.

ASME Sect IV Htg Surface	377.0 Sq Ft / 35.02 Sq M	Design Data	Max. 160 psig & 250°F
Water Volume	13.4 gal / 50.72 Liters		

* Add circulator amps.
 ** For incoming gas pressures lower than 3.5" W.C. natural or propane, consult factory.

REP FIRM _____
SUBMITTED BY _____
JOB NAME _____
ARCHITECT _____
ENGINEER _____
CONTRACTOR _____
DATE _____

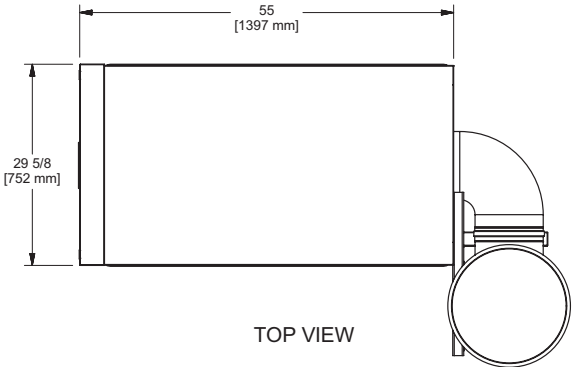
FUTERA XLF 3500

Category I, II or IV Appliance
 (see Installation and Operation Manual for venting information)

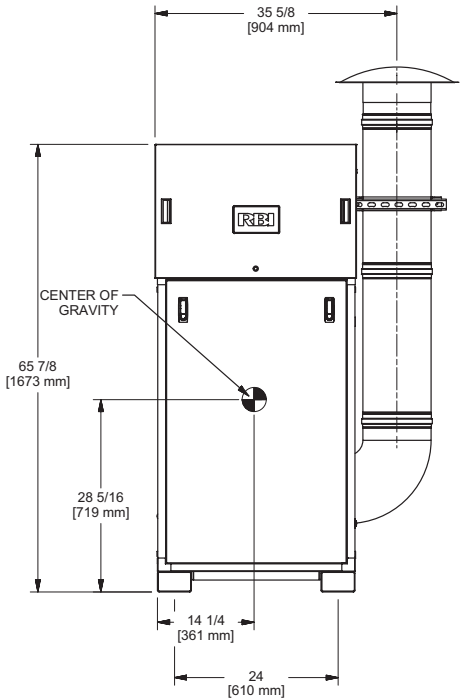


A Division of Mestek, Inc.
 Westfield, MA 01085
 (413) 568-9571

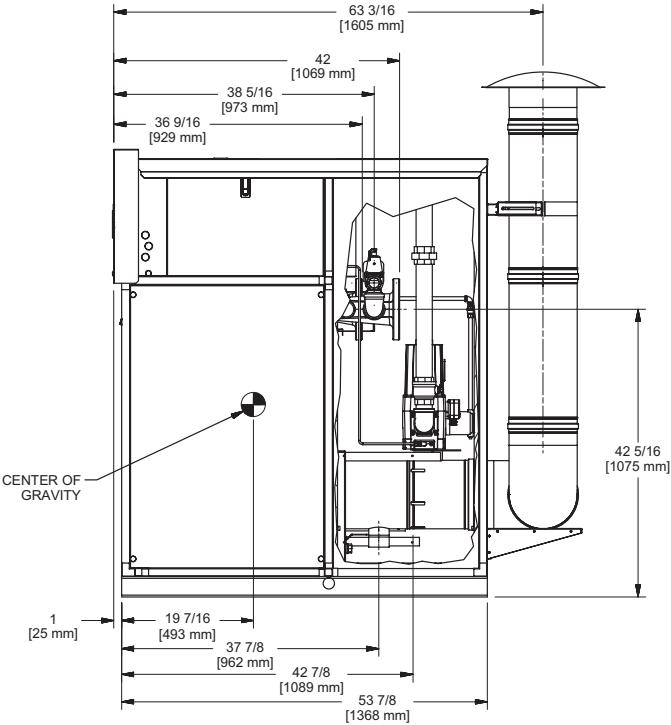
OUTDOOR UNIT



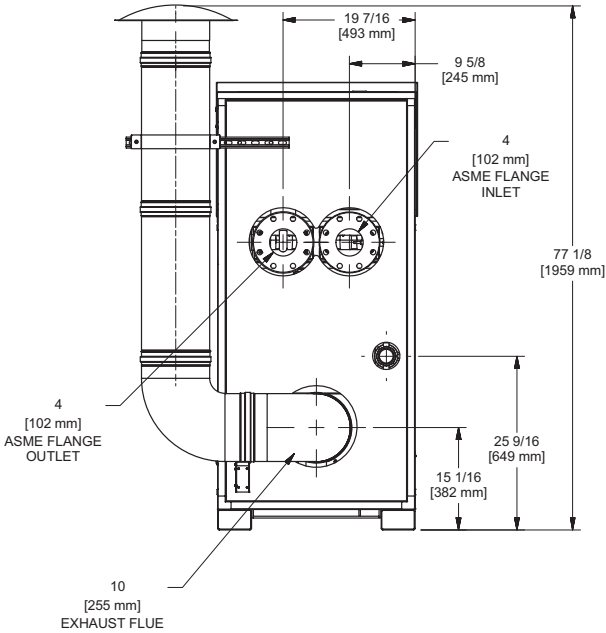
TOP VIEW



FRONT VIEW



SIDE VIEW



BACK VIEW

FUTERA XLF 3500

- Notes:**
1. Dimensions are approximate and should not be used to "rough-in" equipment.
 2. Dimensions are subject to change without notice.