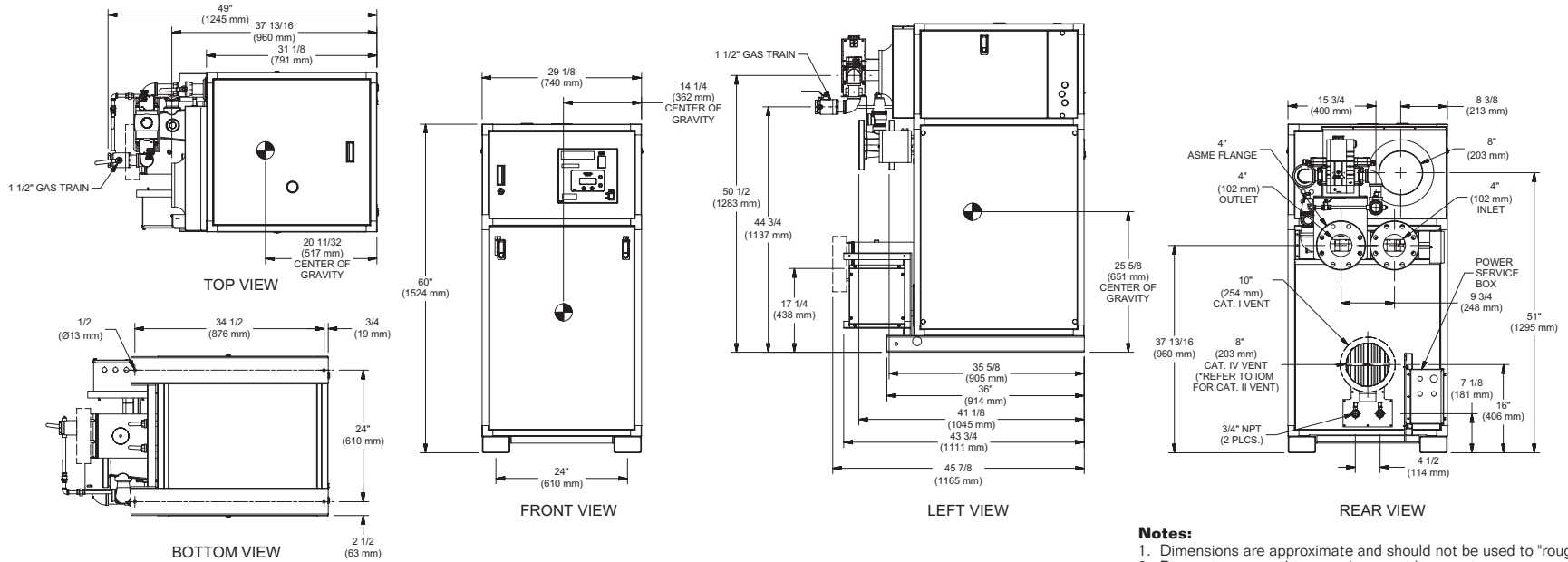


# INDOOR UNIT



## BOILER CERTIFIED RATINGS & CAPACITIES

<b>Fuel Type</b>	Natural/Propane Gas	<b>Boiler FLA</b>	19.7* @ 230V
<b>Input BTU/hr.</b>	3,000,000 / 879 kW	<b>Min. Gas Pressure Required</b>	3.5" WC**
<b>Output BTU/hr.</b>	2,622,000 / 768 kW	<b>Max. Gas Pressure Allowed</b>	14" WC
<b>Electrical Requirements</b>	(L1, L2, NEU, GND) 208-240 VAC/1 ph/60 Hz	<b>Operating Weight</b>	1,355 lbs. / 615 kgs.

## BOILER TEMPERATURE RISE / PRESSURE DROP

20°F / 11.1°C				25°F / 13.9°C				30°F / 16.7°C				35°F / 19.4°C			
Flow Rate		Pressure Drop		Flow Rate		Pressure Drop		Flow Rate		Pressure Drop		Flow Rate		Pressure Drop	
GPM	L/s	Ft	kPa	GPM	L/s	Ft	kPa	GPM	L/s	Ft	kPa	GPM	L/s	Ft	kPa
262.2	16.5	15.20	44.8	209.8	13.2	9.73	28.7	174.8	11.0	6.75	19.9	149.8	9.5	4.65	13.7

## BOILER / WATER HEATER TRIM & CONTROLS

<b>Main Gas Valve Body</b>	Dungs MBC 2500	<b>High Limit (Manual Reset)</b>	Jumo
<b>Firing Valve</b>	Honeywell B200T1066 1-1/2"	<b>High Limit (Auto Reset)</b>	Jumo
<b>Main Ball Valve</b>	1-1/2"	<b>Blocked Flue Switch</b>	HUBA
<b>Manual Pilot Valve</b>	1/4" Honeywell B528	<b>Air Switch</b>	HUBA
<b>Pilot Regulator</b>	White-Rodgers 25M	<b>Blower Motor</b>	American Fan 3 HP - FLA 8
<b>Ignition Control</b>	Honeywell RM7895C	<b>Relief Valve - MB</b>	1-1/4" x 1-1/2" set @ 50 psi
<b>Operating Control</b>	HeatNet®	<b>Relief Valve - MW</b>	3/4" x 3/4" set @ 125 psi
		<b>Flow Switch</b>	ITT FS8W

## WATER HEATER HOURLY RECOVERY CAPACITY (GPH & LPH)

40°F	22°C	60°F	33°C	80°F	44°C	100°F	56°C	120°F	67°C	140°F	78°C
7590	28690	5060	19127	3795	14345	3036	11476	2530	9563	2169	8197

## A.S.M.E.

<b>ASME Sect IV Htg Surface</b>	325.0 Sq. Ft. / 30.19 Sq. M.	<b>Design Data</b>	Max. 160 psig & 250°F
<b>Water Volume</b>	12.8 gal / 48.45 Liters		

\* Add circulator amps.  
 \*\* For incoming gas pressures lower than 3.5" W.C. natural or propane, consult factory.

**REP FIRM** \_\_\_\_\_

**SUBMITTED BY** \_\_\_\_\_

**JOB NAME** \_\_\_\_\_

**ARCHITECT** \_\_\_\_\_

**ENGINEER** \_\_\_\_\_

**CONTRACTOR** \_\_\_\_\_

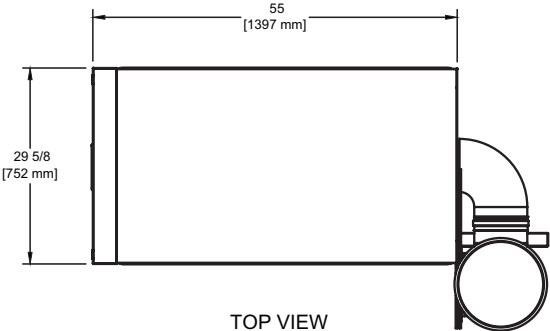
**DATE** \_\_\_\_\_

### FUTERA XLF 3000

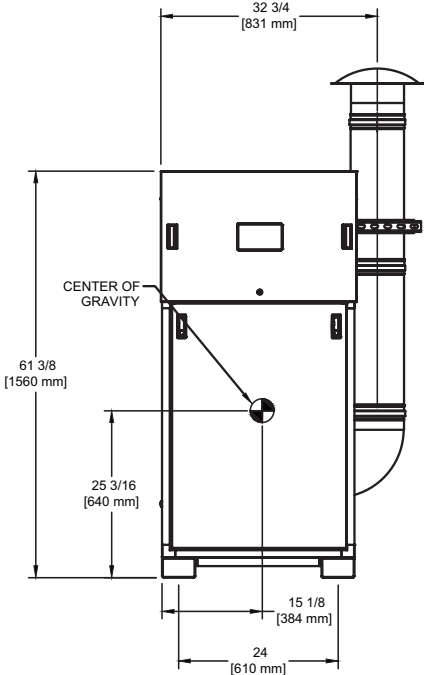
**Category I, II or IV Appliance**  
 (see Installation and Operation Manual for venting information)

**RBI**® A Division of Mestek, Inc.  
 Westfield, MA 01085  
 (413) 568-9571

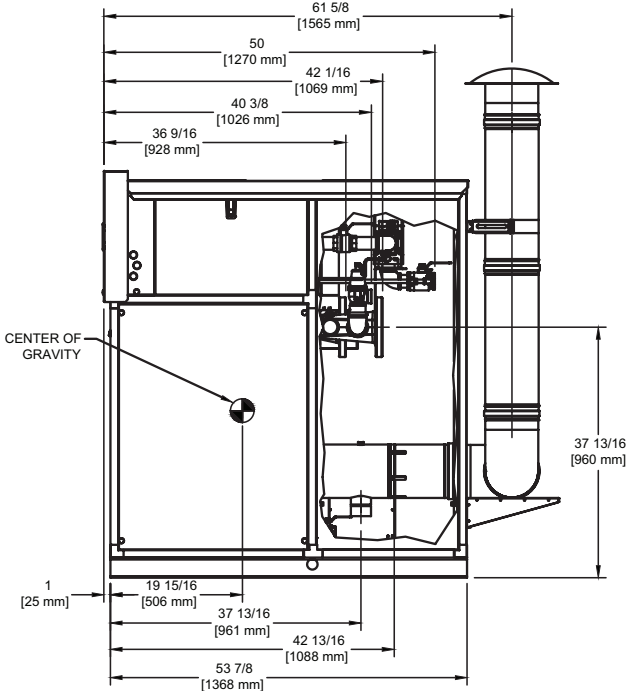
# OUTDOOR UNIT



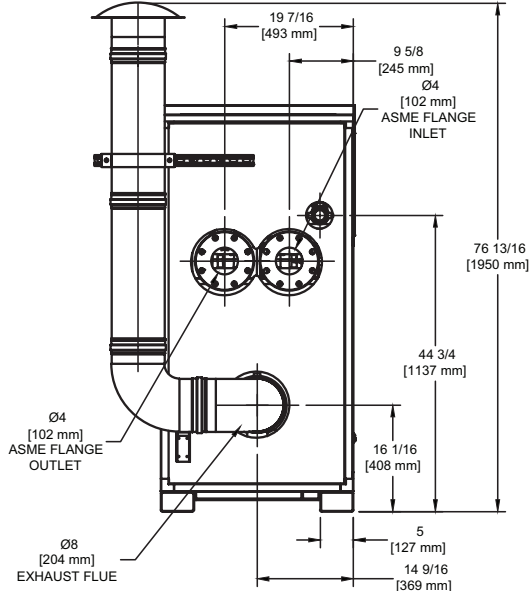
TOP VIEW



FRONT VIEW



SIDE VIEW



BACK VIEW

# FUTERA XLF 3000

- Notes:**
1. Dimensions are approximate and should not be used to "rough-in" equipment.
  2. Dimensions are subject to change without notice.