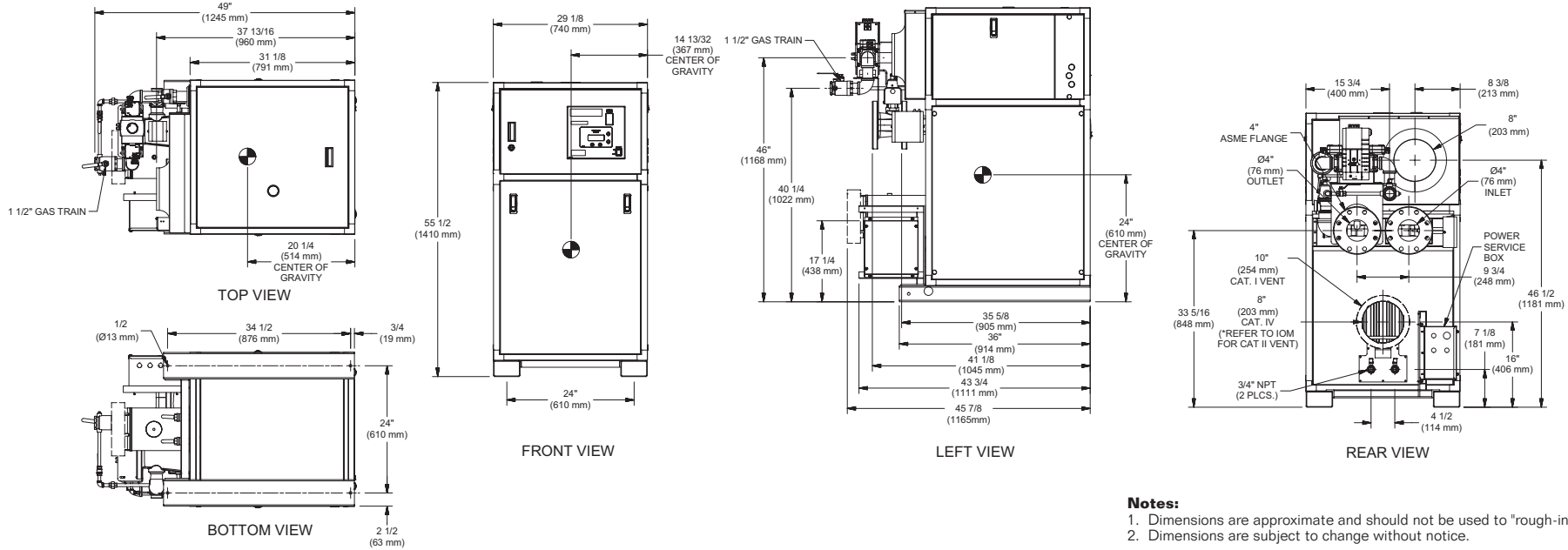


INDOOR UNIT



- Notes:**
 1. Dimensions are approximate and should not be used to "rough-in" equipment.
 2. Dimensions are subject to change without notice.

BOILER CERTIFIED RATINGS & CAPACITIES

Fuel Type	Natural/Propane Gas	Boiler FLA	19.7* @ 230V
Input BTU/hr.	2,500,000 / 733 kW	Min. Gas Pressure Required	3.5" WC**
Output BTU/hr.	2,147,500 / 629 kW	Max. Gas Pressure Allowed	14" WC
Electrical Requirements	(L1, L2, NEU, GND) 208-240 VAC / 1PH / 60Hz	Operating Weight	1,249 lbs. / 567 kgs.

BOILER TEMPERATURE RISE / PRESSURE DROP

20°F / 11.1°C				25°F / 13.9°C				30°F / 16.7°C				35°F / 19.4°C			
Flow Rate		Pressure Drop		Flow Rate		Pressure Drop		Flow Rate		Pressure Drop		Flow Rate		Pressure Drop	
GPM	L/s	Ft	kPa	GPM	L/s	Ft	kPa	GPM	L/s	Ft	kPa	GPM	L/s	Ft	kPa
214.8	13.5	10.05	29.6	171.8	10.8	6.45	19.0	143.2	9.0	3.71	10.9	122.7	7.7	2.79	8.2

BOILER / WATER HEATER TRIM & CONTROLS

Main Gas Valve Body	Dungs MBC 2500	High Limit (Manual Reset)	Jumo
Firing Valve	Honeywell B200T1066 1-1/2"	High Limit (Auto Reset)	Jumo
Main Ball Valve	1-1/2"	Blocked Flue Switch	HUBA
Manual Pilot Valve	1/4" Honeywell B528	Air Switch	HUBA
Pilot Regulator	White-Rodgers 25M	Blower Motor	American Fan 3 HP - FLA 8
Ignition Control	Honeywell RM7895C	Relief Valve - MB	1" x 1-1/4" set @ 50 psi
Operating Control	HeatNet®	Relief Valve - MW	3/4" x 3/4" set @ 125 psi
		Flow Switch	ITT FS8W

WATER HEATER HOURLY RECOVERY CAPACITY (GPH & LPH)

40°F	22°C	60°F	33°C	80°F	44°C	100°F	56°C	120°F	67°C	140°F	78°C
6355	24022	4237	16015	3178	12011	2542	9609	2118	8007	1816	6863

A.S.M.E.

ASME Sect IV Htg Surface	267.5 Sq. Ft. / 24.85 Sq. M.	Design Data	Max. 160 psig & 250°F
Water Volume	12.1 gal / 45.80 Liters		

* Add circulator amps.
 ** For incoming gas pressures lower than 3.5" W.C. natural or propane, consult factory.

REP FIRM _____

SUBMITTED BY _____

JOB NAME _____

ARCHITECT _____

ENGINEER _____

CONTRACTOR _____

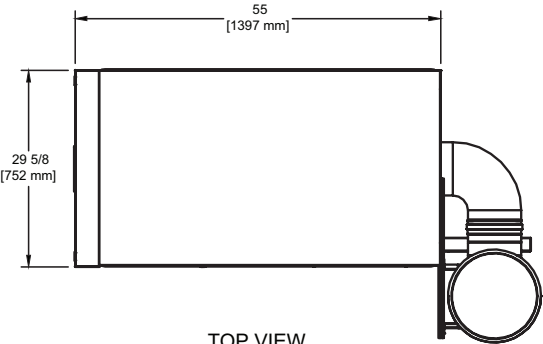
DATE _____

FUTERA XLF 2500

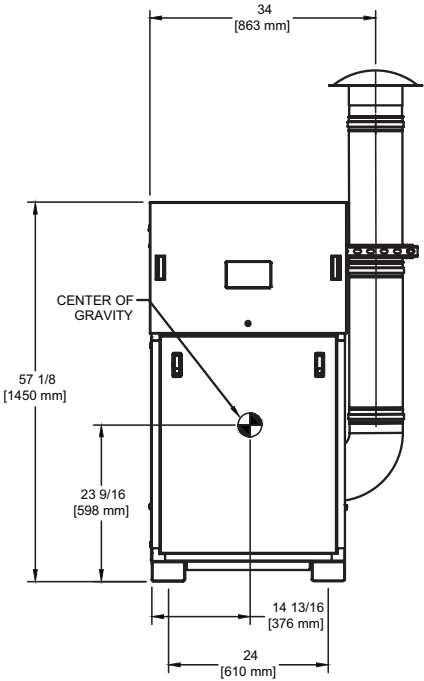
Category I, II or IV Appliance
 (see Installation and Operation Manual for venting information)

RBI® A Division of Mestek, Inc.
 Westfield, MA 01085
 (413) 568-9571
RELIABLE. BOLD. INNOVATIVE.

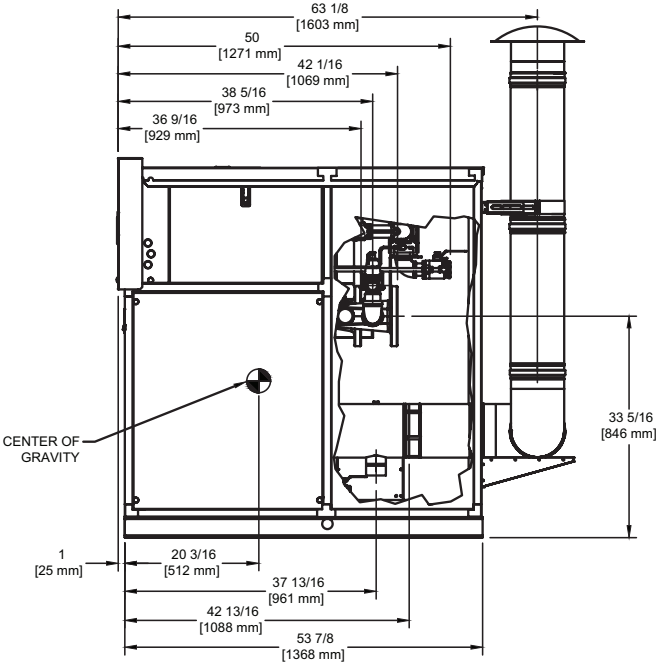
OUTDOOR UNIT



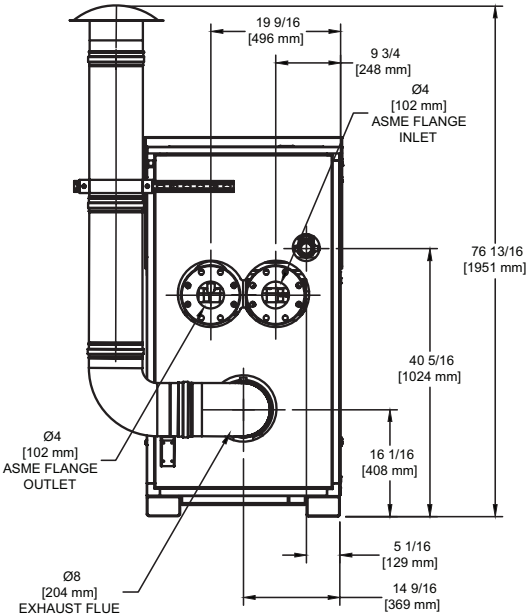
TOP VIEW



FRONT VIEW



SIDE VIEW



BACK VIEW

FUTERA XLF 2500

- Notes:**
1. Dimensions are approximate and should not be used to "rough-in" equipment.
 2. Dimensions are subject to change without notice.