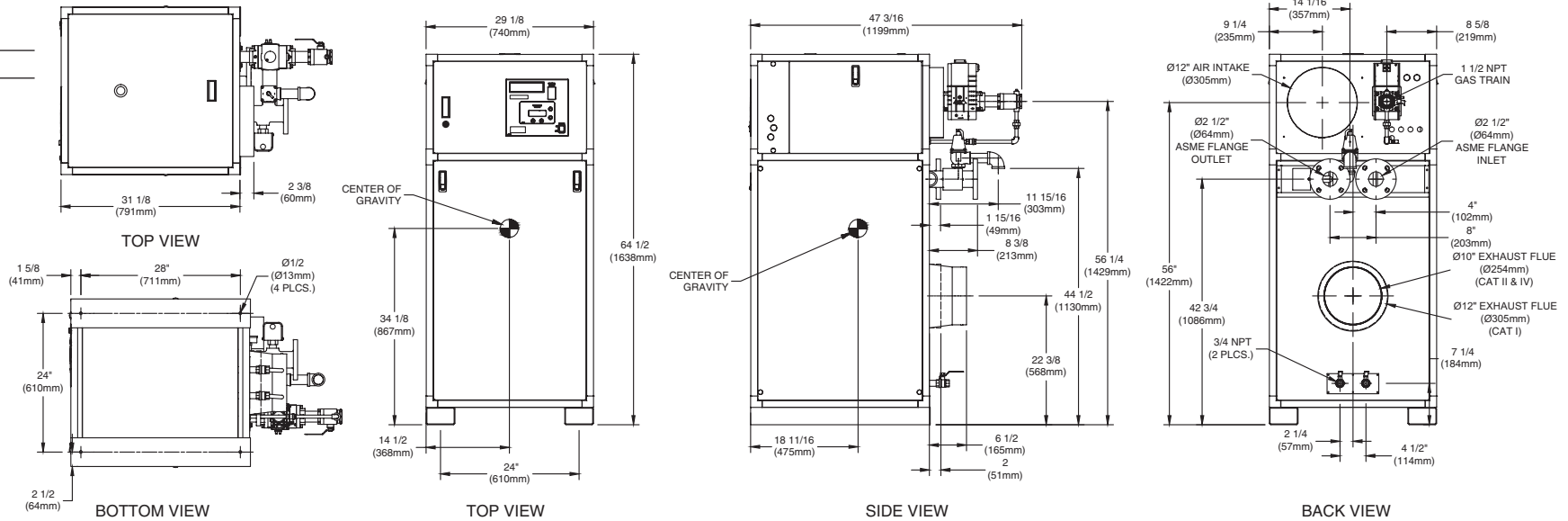


# INDOOR UNIT

## CODE OPTIONS

**CSD-1** Manual Reset LWCO



**Notes:**

1. Dimensions are approximate and should not be used to "rough-in" equipment.
2. Dimensions are subject to change without notice.

## BOILER CERTIFIED RATINGS & CAPACITIES

<b>Fuel Type</b>	Natural/Propane Gas	<b>Boiler FLA</b>	11.3*
<b>Input BTU/hr.</b>	1,750,000 / 513 kW	<b>Min. Gas Pressure Required</b>	2" W.C.**
<b>Output BTU/hr.</b>	1,491,000 / 437 kW	<b>Max. Gas Pressure Allowed</b>	14" W.C.
<b>Electrical Requirements</b>	(L1, NEU, GND) 120 VAC/ 1 ph / 60 hz	<b>Operating Weight</b>	827 lbs. / 375 kg.

## BOILER TEMPERATURE RISE / PRESSURE DROP

25°F / 13.9°C				30°F / 16.7°C				35°F / 19.4°C			
Flow Rate		Pressure Drop		Flow Rate		Pressure Drop		Flow Rate		Pressure Drop	
GPM	L/s	Ft	kPa	GPM	L/s	Ft	kPa	GPM	L/s	Ft	kPa
119.3	7.5	3.69	10.9	99.4	6.3	2.63	7.8	85.2	5.4	1.98	5.8

## BOILER / WATER HEATER TRIM & CONTROLS

<b>Main Gas Valve</b>	Dungs MBC-SE	<b>Air Switch</b>	Cleveland NS2
<b>Firing Valve</b>	1 1/2"	<b>Blower Motor</b>	Fasco 1 hp - FLA 3.0
<b>Ignition Control</b>	Honeywell RM7895C	<b>Relief Valve - MW</b>	3/4" x 3/4" set @ 125 psi
<b>Operating Control</b>	HeatNet®	<b>Relief Valve - MB</b>	1" x 1 1/4" set @ 50 psi
<b>High Limit</b>	Jumo	<b>Flow Switch</b>	TACO
<b>Main Ball Valve</b>	1 1/2"	<b>Pilot Regulator</b>	White-Rodgers 25M

## WATER HEATER HOURLY RECOVERY CAPACITY (GPH & LPH)

40°F	22°C	60°F	33°C	80°F	44°C	100°F	56°C	120°F	67°C	140°F	78°C
4317	16319	2878	10879	2159	8160	1727	6528	1439	5440	1233	4663

## A.S.M.E.

<b>ASME Sect IV Htg Surface</b>	188.57 Sq. Ft. / 17.52 Sq. M.	<b>Design Data</b>	Max. 160 psig & 250°F
<b>Water Volume</b>	5.3 gal / 20.06 Liters		

\* Add circulator amps.  
\*\* For incoming gas pressures lower than 2" W.C. natural or propane, consult factory.

**REP FIRM** \_\_\_\_\_  
**SUBMITTED BY** \_\_\_\_\_  
**JOB NAME** \_\_\_\_\_  
**ARCHITECT** \_\_\_\_\_  
**ENGINEER** \_\_\_\_\_  
**CONTRACTOR** \_\_\_\_\_  
**DATE** \_\_\_\_\_

## FUTERA III 1750

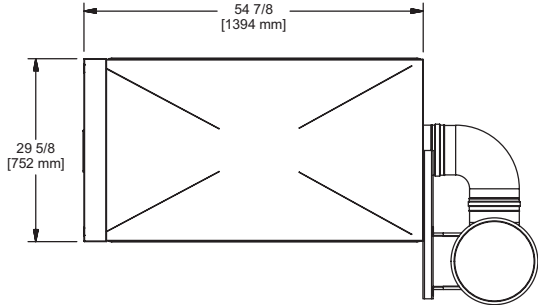
**Category I, II or IV Appliance**  
(see Installation and Operation Manual for venting information)

A Division of Mestek, Inc.  
Westfield, MA 01085  
(413) 568-9571

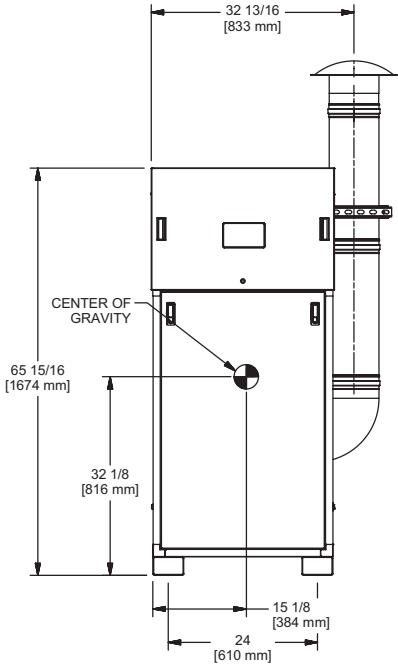
RELIABLE. BOLD. INNOVATIVE.

# OUTDOOR UNIT

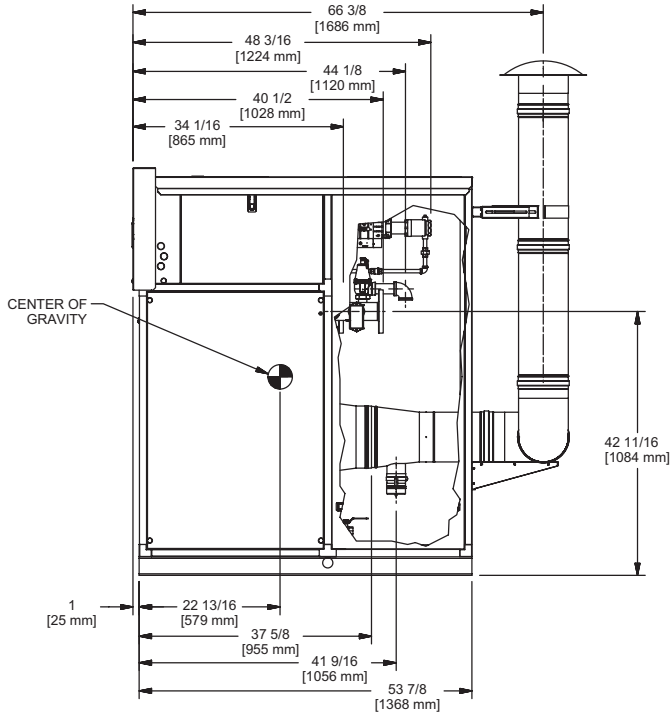
RSUB-115-B



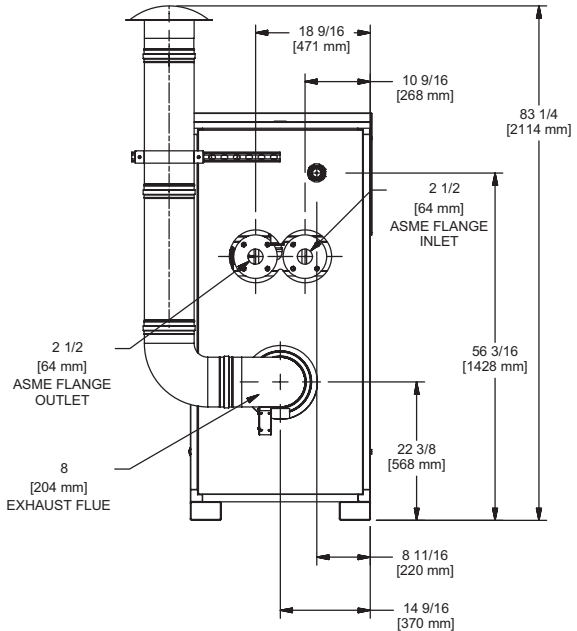
TOP VIEW



FRONT VIEW



SIDE VIEW



BACK VIEW

## FUTERA III 1750

- Notes:**
1. Dimensions are approximate and should not be used to "rough-in" equipment.
  2. Dimensions are subject to change without notice.