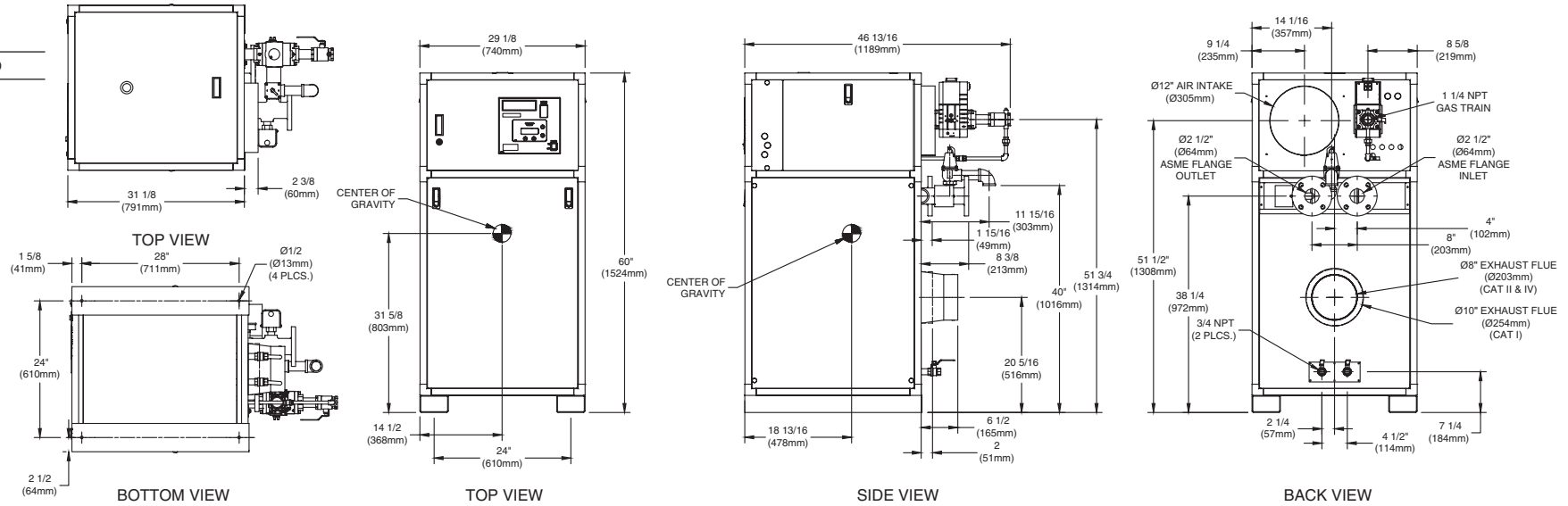


INDOOR UNIT

RSUB-59-K

CODE OPTIONS

CSD-1 Manual Reset LWCO



Notes:

1. Dimensions are approximate and should not be used to "rough-in" equipment.
2. Dimensions are subject to change without notice.

BOILER CERTIFIED RATINGS & CAPACITIES

| | | | |
|--------------------------------|--|-----------------------------------|--------------------|
| Fuel Type | Natural/Propane Gas | Boiler FLA | 11.3* |
| Input BTU/hr. | 1,500,000 / 440 kW | Min. Gas Pressure Required | 2" W.C.** |
| Output BTU/hr. | 1,278,000 / 374 kW | Max. Gas Pressure Allowed | 14" W.C. |
| Electrical Requirements | (L1, NEU, GND) 120 VAC / 1 ph / 60 hz | Operating Weight | 824 lbs. / 374 kg. |

BOILER TEMPERATURE RISE / PRESSURE DROP

| 20°F / 11.1°C | | | | 25°F / 13.9°C | | | | 30°F / 16.7°C | | | | 35°F / 19.4°C | | | |
|---------------|-----|---------------|------|---------------|-----|---------------|-----|---------------|-----|---------------|-----|---------------|-----|---------------|-----|
| Flow Rate | | Pressure Drop | | Flow Rate | | Pressure Drop | | Flow Rate | | Pressure Drop | | Flow Rate | | Pressure Drop | |
| GPM | L/s | Ft | kPa | GPM | L/s | Ft | kPa | GPM | L/s | Ft | kPa | GPM | L/s | Ft | kPa |
| 127.8 | 8.1 | 3.58 | 10.6 | 102.2 | 6.5 | 2.37 | 7.0 | 85.2 | 5.4 | 1.69 | 5.0 | 73.0 | 4.6 | 1.27 | 3.7 |

BOILER / WATER HEATER TRIM & CONTROLS

| | | | |
|--------------------------|-------------------|--------------------------|---------------------------|
| Main Gas Valve | Dungs MBC-SE | Air Switch | Cleveland NS2 |
| Firing Valve | 1 1/4" | Blower Motor | Fasco 1 hp - FLA 2.5 |
| Ignition Control | Honeywell RM7895C | Relief Valve - MW | 3/4" x 3/4" set @ 125 psi |
| Operating Control | HeatNet® | Relief Valve - MB | 1" x 1 1/4" set @ 50 psi |
| High Limit | Jumo | Flow Switch | TACO |
| Main Ball Valve | 1 1/4" | Pilot Regulator | White-Rodgers 25M |

WATER HEATER HOURLY RECOVERY CAPACITY (GPH & LPH)

| 40°F | 22°C | 60°F | 33°C | 80°F | 44°C | 100°F | 56°C | 120°F | 67°C | 140°F | 78°C |
|------|-------|------|------|------|------|-------|------|-------|------|-------|------|
| 3714 | 14039 | 2476 | 9359 | 1857 | 7019 | 1486 | 5616 | 1238 | 4680 | 1061 | 4011 |

A.S.M.E.

| | | | |
|---------------------------------|-------------------------------|--------------------|-----------------------|
| ASME Sect IV Htg Surface | 161.16 Sq. Ft. / 14.97 Sq. M. | Design Data | Max. 160 psig & 250°F |
| Water Volume | 5 gal / 18.93 Liters | | |

* Add circulator amps.

** For incoming gas pressures lower than 2" W.C. natural or propane, consult factory.

REP FIRM _____
 SUBMITTED BY _____
 JOB NAME _____
 ARCHITECT _____
 ENGINEER _____
 CONTRACTOR _____
 DATE _____

FUTERA III 1500

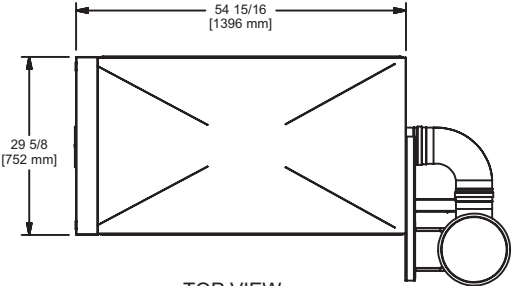
Category I, II or IV Appliance
 (see Installation and Operation Manual for venting information)

RBI®
 RELIABLE. BOLD. INNOVATIVE.

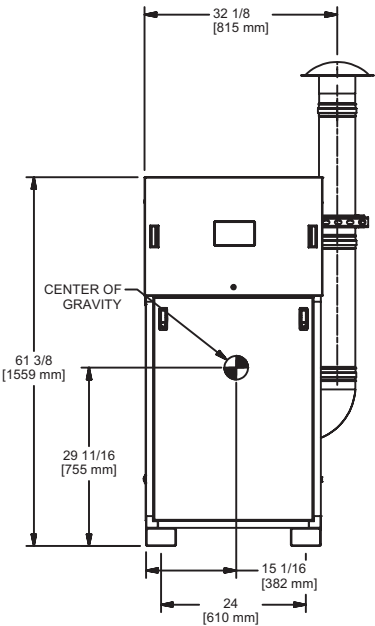
A Division of Mestek, Inc.
 Westfield, MA 01085
 (413) 568-9571

OUTDOOR UNIT

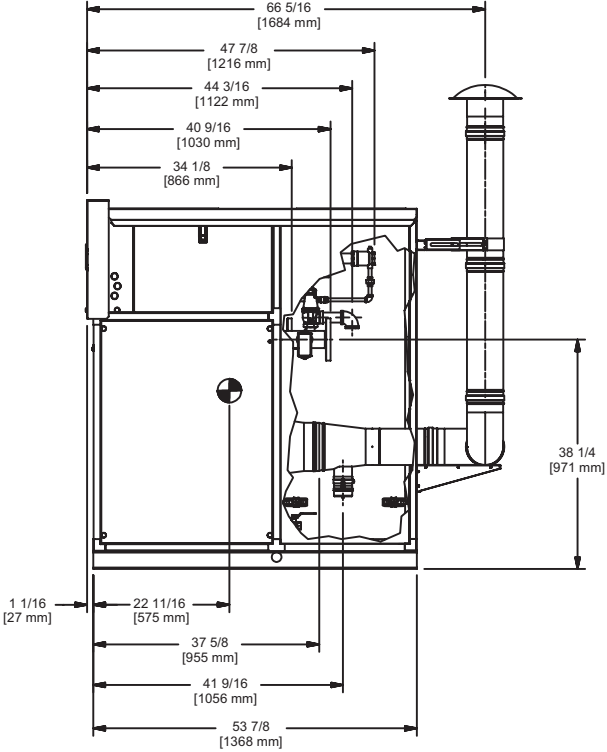
RSUB-114-B



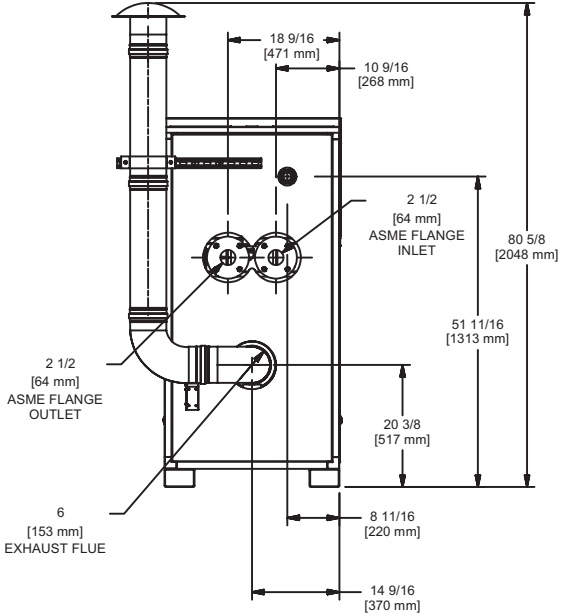
TOP VIEW



FRONT VIEW



SIDE VIEW



BACK VIEW

FUTERA III 1500

- Notes:**
1. Dimensions are approximate and should not be used to "rough-in" equipment.
 2. Dimensions are subject to change without notice.