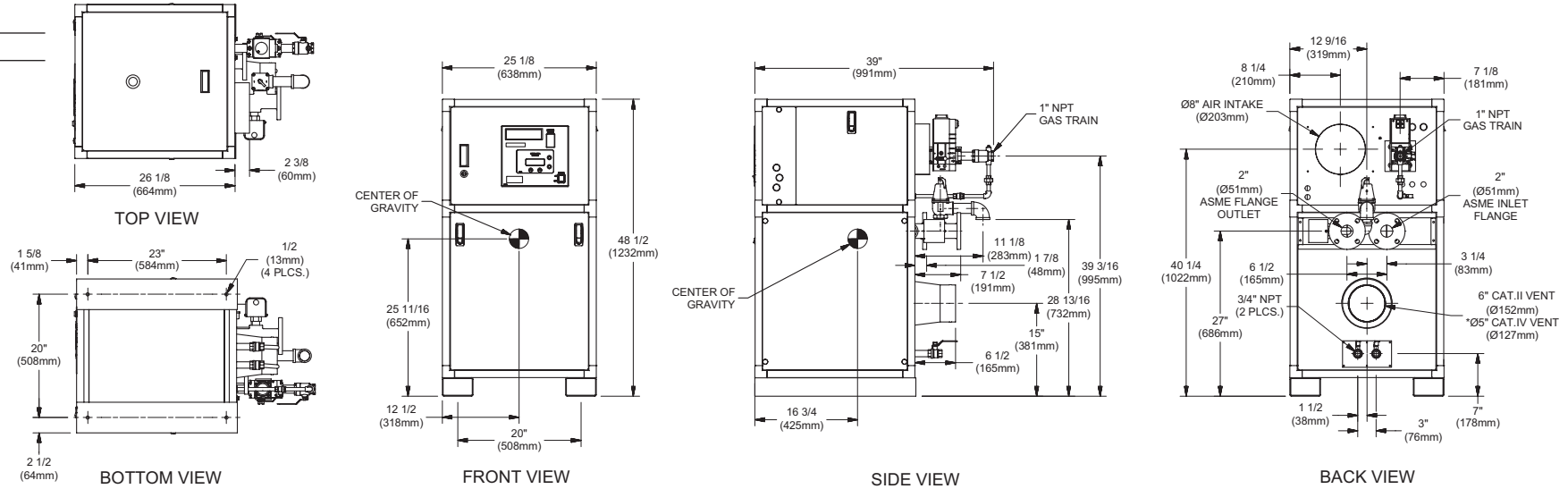


INDOOR UNIT

RSUB-55-K

CODE OPTIONS

CSD-1	Manual Reset LWCO
-------	-------------------



Notes:

1. Dimensions are approximate and should not be used to "rough-in" equipment.
2. Dimensions are subject to change without notice.

BOILER CERTIFIED RATINGS & CAPACITIES

Fuel Type	Natural/Propane Gas	Boiler FLA	4.4*
Input BTU/hr.	500,000 / 147 kW	Min. Gas Pressure Required	2" W.C.**
Output BTU/hr.	428,000 / 125 kW	Max. Gas Pressure Allowed	14" W.C.
Electrical Requirements	(L1, NEU, GND) 120VAC/ 1 ph / 60 hz	Operating Weight	487 lbs. / 221 kg.

BOILER TEMPERATURE RISE / PRESSURE DROP

20°F / 11.1°C				25°F / 13.9°C			
Flow Rate		Pressure Drop		Flow Rate		Pressure Drop	
GPM	L/s	Ft	kPa	GPM	L/s	Ft	kPa
42.8	2.7	0.53	1.6	34.2	2.2	0.35	1.0

BOILER / WATER HEATER TRIM & CONTROLS

Main Gas Valve	Dungs MBC-SE	Air Switch	Cleveland NS2
Firing Valve	1"	Blower Motor	Fasco 1/2 hp - FLA 1.8
Ignition Control	Honeywell RM7895C	Relief Valve - MW	3/4" x 3/4" set @ 125 psi
Operating Control	HeatNet®	Relief Valve - MB	3/4" x 3/4" set @ 50 psi
High Limit	Jumo	Flow Switch	TACO
Main Ball Valve	1"	Pilot Regulator	White-Rodgers 25M

A.S.M.E.

ASME Sect IV Htg Surface	69.51 Sq. Ft. / 6.46 Sq. M.	Design Data	Max. 160 psig & 250°F
Water Volume	3.4 gal / 12.87 Liters		

* Add circulator amps.

** For incoming gas pressures lower than 2" W.C. natural or propane, consult factory.

WATER HEATER HOURLY RECOVERY CAPACITY (GPH & LPH)

40°F	22°C	60°F	33°C	80°F	44°C	100°F	56°C	120°F	67°C	140°F	78°C
1230	4651	820	3101	615	2326	492	1861	410	1550	352	1329

Boilers & Water Heaters not available for sale in Canada due to NRCAN regulations.

REP FIRM _____
 SUBMITTED BY _____
 JOB NAME _____
 ARCHITECT _____
 ENGINEER _____
 CONTRACTOR _____
 DATE _____

FUTERA III 500

Category II or IV Appliance

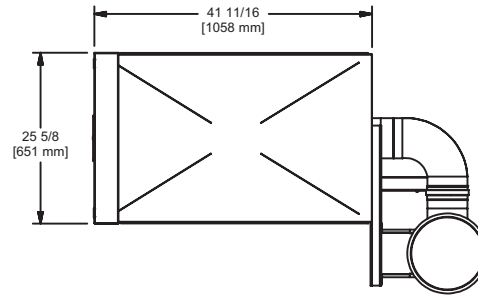
(see Installation and Operation Manual for venting information)

RBI
 RELIABLE. BOLD. INNOVATIVE.

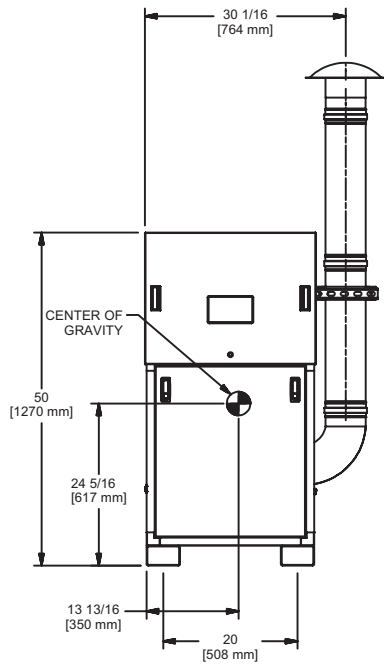
A Division of Mestek, Inc.
 Westfield, MA 01085
 (413) 568-9571

OUTDOOR UNIT

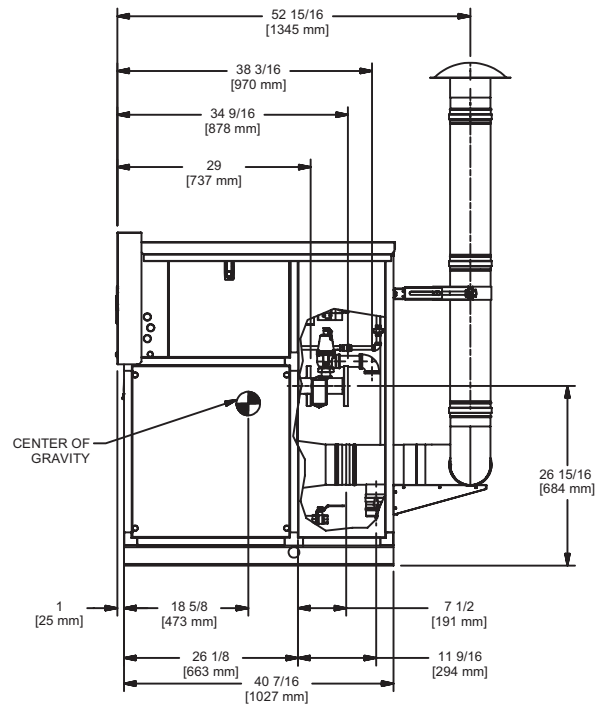
RSUB-110-B



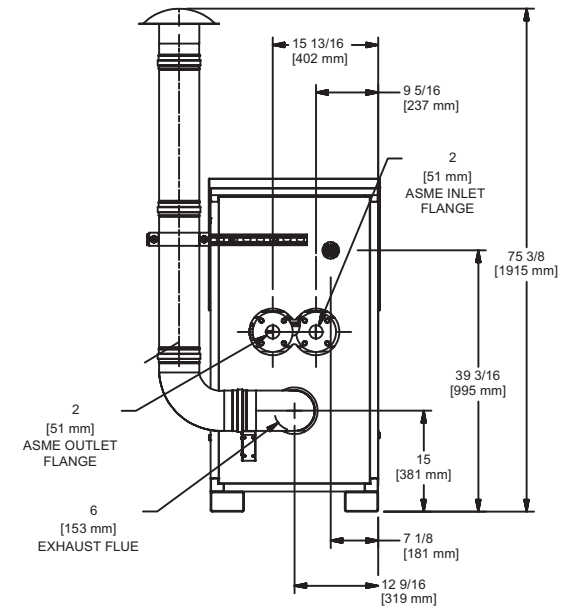
TOP VIEW



FRONT VIEW



SIDE VIEW



BACK VIEW

Boilers & Water Heaters not available for sale in Canada due to NRCAN regulations.

Notes:

1. Dimensions are approximate and should not be used to "rough-in" equipment.
2. Dimensions are subject to change without notice.

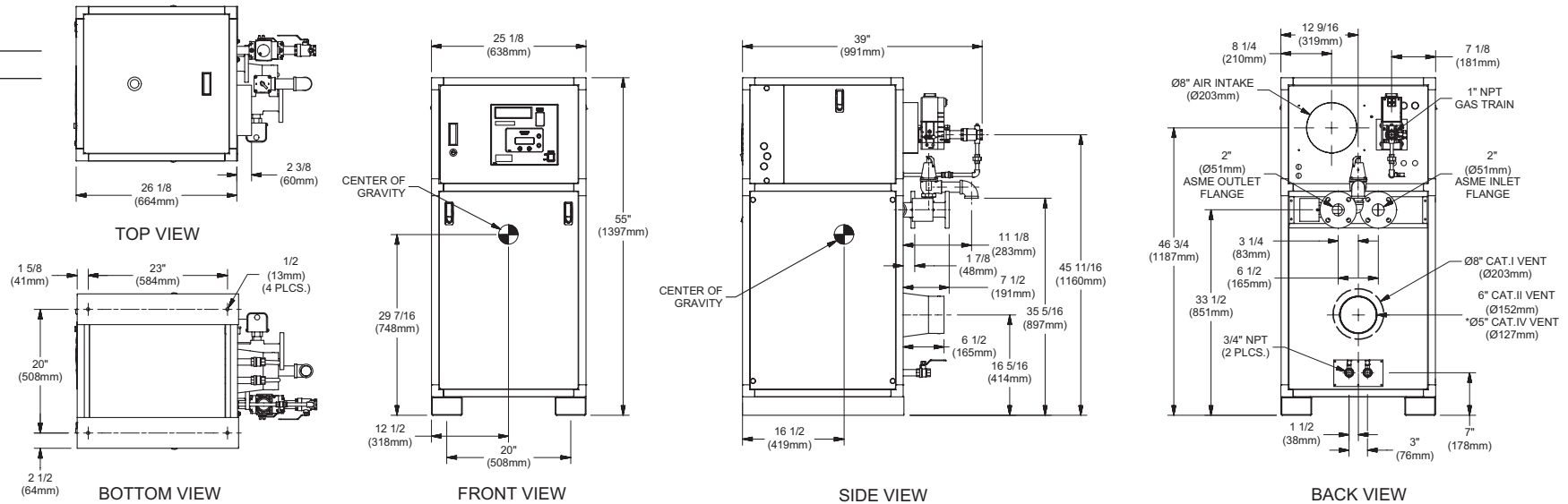
FUTERA III 500

INDOOR UNIT

RSUB-56-L

CODE OPTIONS

CSD-1 Manual Reset LWCO



Notes:

1. Dimensions are approximate and should not be used to "rough-in" equipment.
2. Dimensions are subject to change without notice.

BOILER CERTIFIED RATINGS & CAPACITIES

Fuel Type	Natural/Propane Gas	Boiler FLA	4.4*
Input BTU/hr.	750,000 / 220 kW	Min. Gas Pressure Required	2" W.C.**
Output BTU/hr.	640,500 / 188 kW	Max. Gas Pressure Allowed	14" W.C.
Electrical Requirements	(L1, NEU, GND) 120VAC/ 1 ph / 60 hz	Operating Weight	585 lbs. / 266 kg.

BOILER TEMPERATURE RISE / PRESSURE DROP

20°F / 11.1°C				25°F / 13.9°C				30°F / 16.7°C				35°F / 19.4°C			
Flow Rate		Pressure Drop		Flow Rate		Pressure Drop		Flow Rate		Pressure Drop		Flow Rate		Pressure Drop	
GPM	L/s	Ft	kPa	GPM	L/s	Ft	kPa	GPM	L/s	Ft	kPa	GPM	L/s	Ft	kPa
64.1	4.0	1.58	4.7	51.2	3.2	1.04	3.1	42.7	2.7	0.75	2.2	36.6	2.3	0.56	1.7

BOILER / WATER HEATER TRIM & CONTROLS

Main Gas Valve	Dungs MBC-SE	Air Switch	Cleveland NS2
Firing Valve	1"	Blower Motor	Fasco 1/2 hp - FLA 2.3
Ignition Control	Honeywell RM7895C	Relief Valve - MW	3/4" x 3/4" set @ 125 psi
Operating Control	HeatNet®	Relief Valve - MB	3/4" x 3/4" set @ 50 psi
High Limit	Jumo	Flow Switch	TACO
Main Ball Valve	1"	Pilot Regulator	White-Rodgers 25M

WATER HEATER HOURLY RECOVERY CAPACITY (GPH & LPH)

40°F	22°C	60°F	33°C	80°F	44°C	100°F	56°C	120°F	67°C	140°F	78°C
1873	7079	1248	4719	936	3539	749	2832	624	2360	535	2023

Boilers & Water Heaters not available for sale in Canada due to NRCan regulations.

A.S.M.E.

ASME Sect IV Htg Surface	97.79 Sq. Ft. / 9.08 Sq. M.	Design Data	Max. 160 psig & 250°F
Water Volume	3.7 gal / 14.01 Liters		

* Add circulator amps.

** For incoming gas pressures lower than 2" W.C. natural or propane, consult factory.

REP FIRM _____
 SUBMITTED BY _____
 JOB NAME _____
 ARCHITECT _____
 ENGINEER _____
 CONTRACTOR _____
 DATE _____

FUTERA III 750

Category I, II or IV Appliance

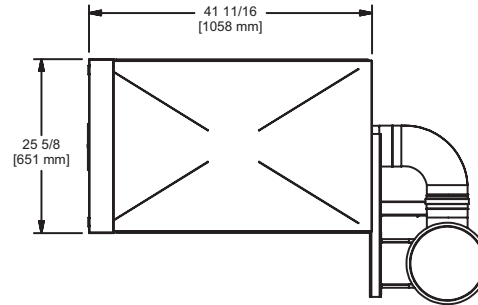
(see Installation and Operation Manual for venting information)

RBI
 RELIABLE. BOLD. INNOVATIVE.

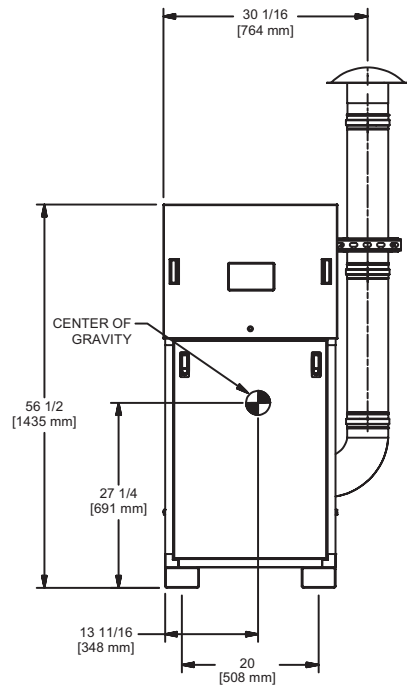
A Division of Mestek, Inc.
 Westfield, MA 01085
 (413) 568-9571

OUTDOOR UNIT

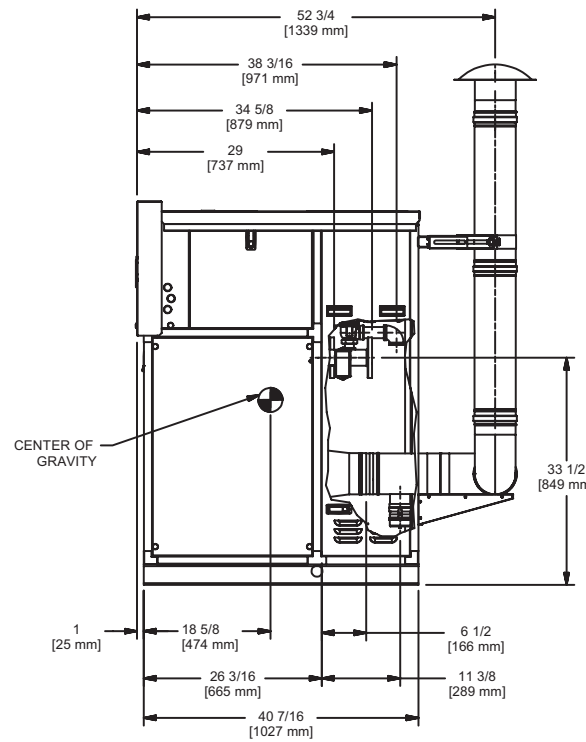
RSUB-111-B



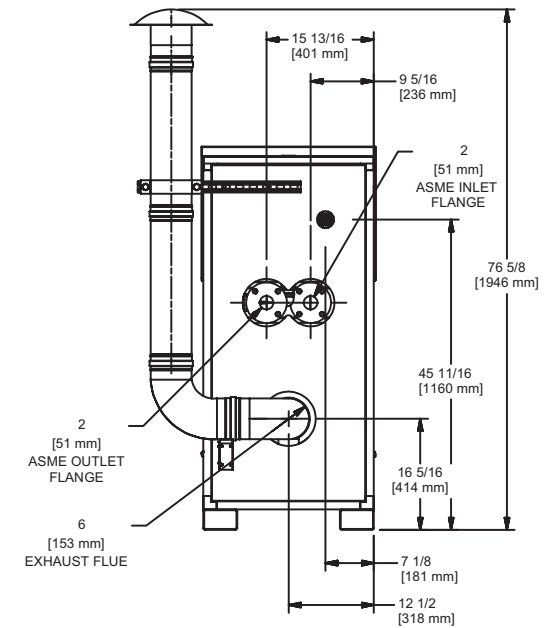
TOP VIEW



FRONT VIEW



SIDE VIEW



BACK VIEW

FUTERA III 750

Boilers & Water Heaters not available for sale in Canada due to NRCAN regulations.

Notes:

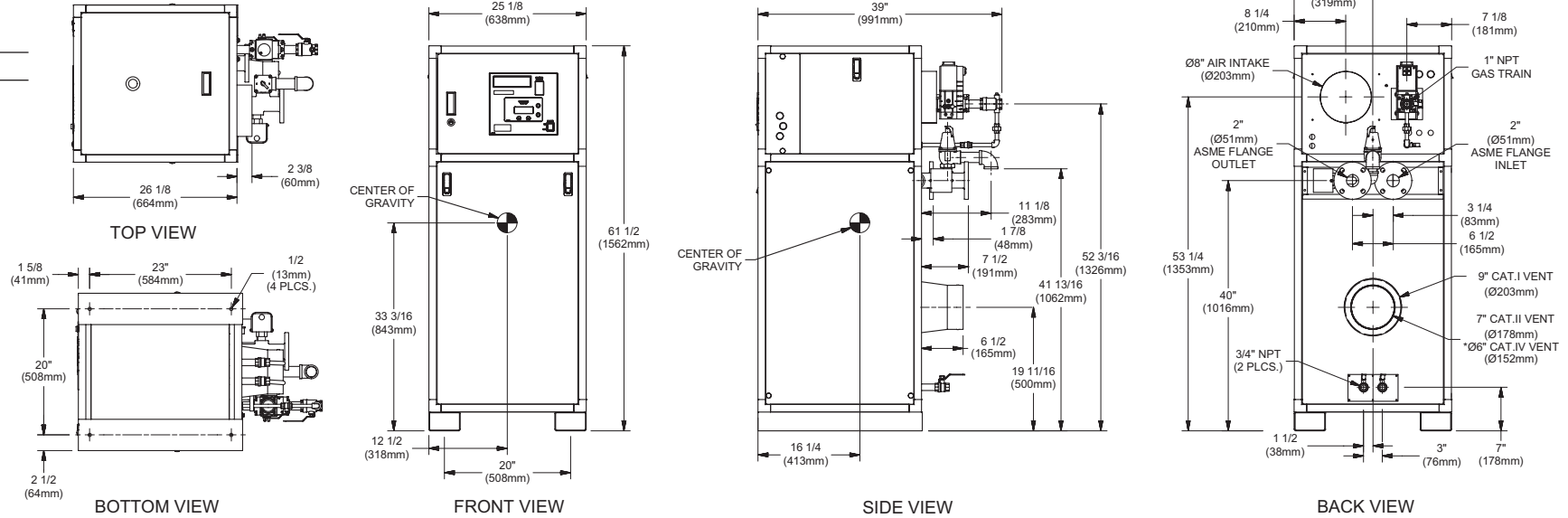
1. Dimensions are approximate and should not be used to "rough-in" equipment.
2. Dimensions are subject to change without notice.

INDOOR UNIT

RSUB-57-L

CODE OPTIONS

CSD-1 Manual Reset LWCO



Notes:

1. Dimensions are approximate and should not be used to "rough-in" equipment.
2. Dimensions are subject to change without notice.

BOILER CERTIFIED RATINGS & CAPACITIES

Fuel Type	Natural/Propane Gas	Boiler FLA	8.2*
Input BTU/hr.	1,000,000 / 293 kW	Min. Gas Pressure Required	2" W.C.**
Output BTU/hr.	853,000 / 250 kW	Max. Gas Pressure Allowed	14" W.C.
Electrical Requirements	(L1, NEU, GND) 120VAC/1 ph/60 hz	Operating Weight	623 lbs. / 283 kg.

BOILER TEMPERATURE RISE / PRESSURE DROP

20°F / 11.1°C				25°F / 13.9°C				30°F / 16.7°C				35°F / 19.4°C			
Flow Rate		Pressure Drop		Flow Rate		Pressure Drop		Flow Rate		Pressure Drop		Flow Rate		Pressure Drop	
GPM	L/s	Ft	kPa	GPM	L/s	Ft	kPa	GPM	L/s	Ft	kPa	GPM	L/s	Ft	kPa
85.3	5.4	3.46	10.2	68.2	4.3	2.29	6.7	56.9	3.6	1.63	4.8	48.7	3.1	1.23	3.6

BOILER / WATER HEATER TRIM & CONTROLS

Main Gas Valve	Dungs MBC-SE	Air Switch	Cleveland NS2
Firing Valve	1"	Blower Motor	Fasco 1/2 hp - FLA 2.3
Ignition Control	Honeywell RM7895C	Relief Valve - MW	3/4" x 3/4" set @ 125 psi
Operating Control	HeatNet®	Relief Valve - MB	3/4" x 3/4" set @ 50 psi
High Limit	Jumo	Flow Switch	TACO
Main Ball Valve	1"	Pilot Regulator	White-Rodgers 25M

WATER HEATER HOURLY RECOVERY CAPACITY (GPH & LPH)

40°F	22°C	60°F	33°C	80°F	44°C	100°F	56°C	120°F	67°C	140°F	78°C
2491	9416	1661	6277	1245	4708	996	3766	830	3139	712	2690

Boilers & Water Heaters not available for sale in Canada due to NRCan regulations.

A.S.M.E.

ASME Sect IV Htg Surface	126.07 Sq. Ft. / 11.71 Sq. M.	Design Data	Max. 160 psig & 250°F
Water Volume	4 gal / 15.14 Liters		

* Add circulator amps.

** For incoming gas pressures lower than 2" W.C. natural or propane, consult factory.

REP FIRM _____
 SUBMITTED BY _____
 JOB NAME _____
 ARCHITECT _____
 ENGINEER _____
 CONTRACTOR _____
 DATE _____

FUTERA III 1000

Category I, II or IV Appliance

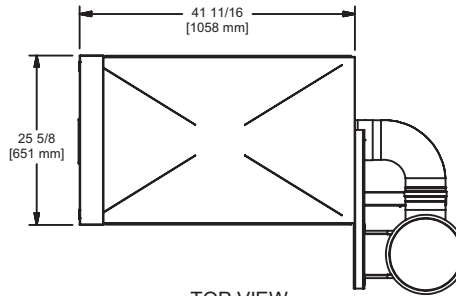
(see Installation and Operation Manual for venting information)



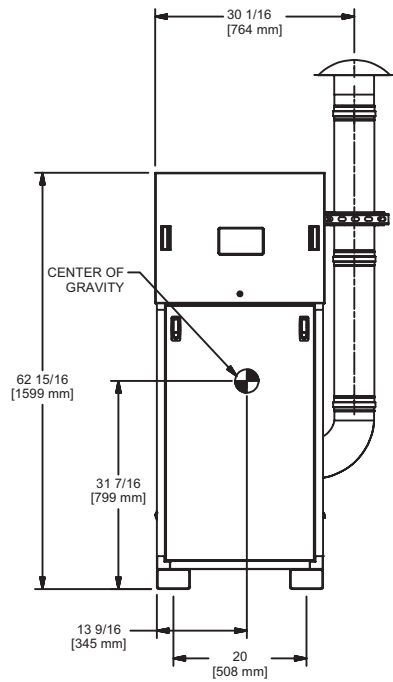
A Division of Mestec, Inc.
 Westfield, MA 01085
 (413) 568-9571

OUTDOOR UNIT

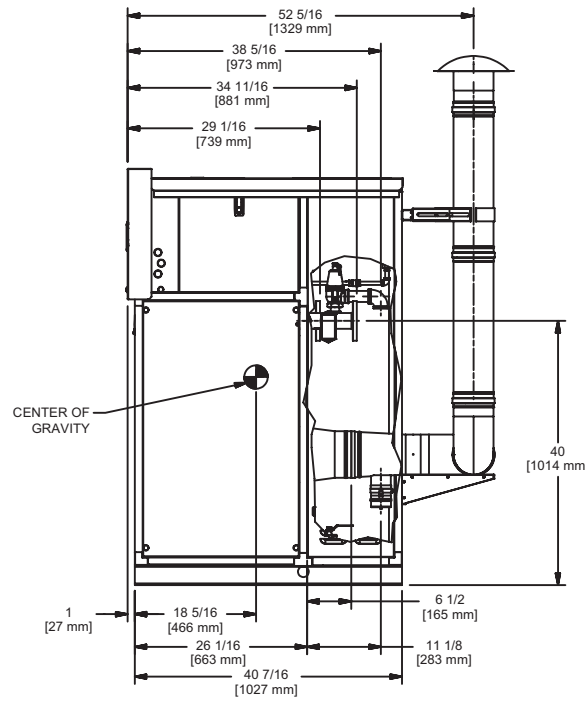
RSUB-112-B



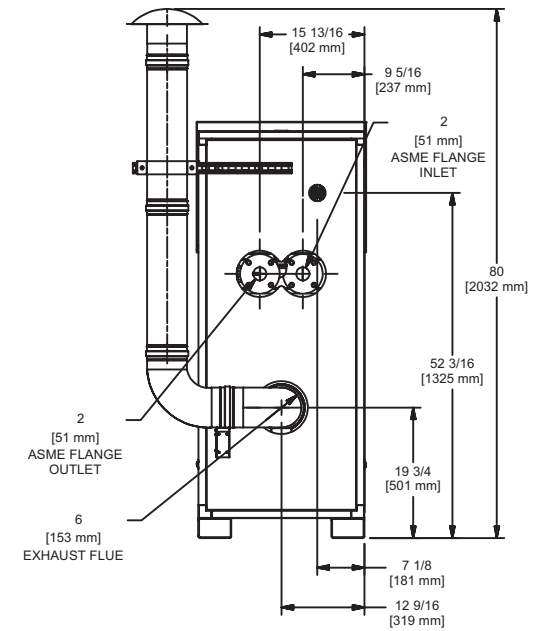
TOP VIEW



FRONT VIEW



SIDE VIEW



BACK VIEW

FUTERA III 1000

Boilers & Water Heaters not available for sale in Canada due to NRCan regulations.

Notes:

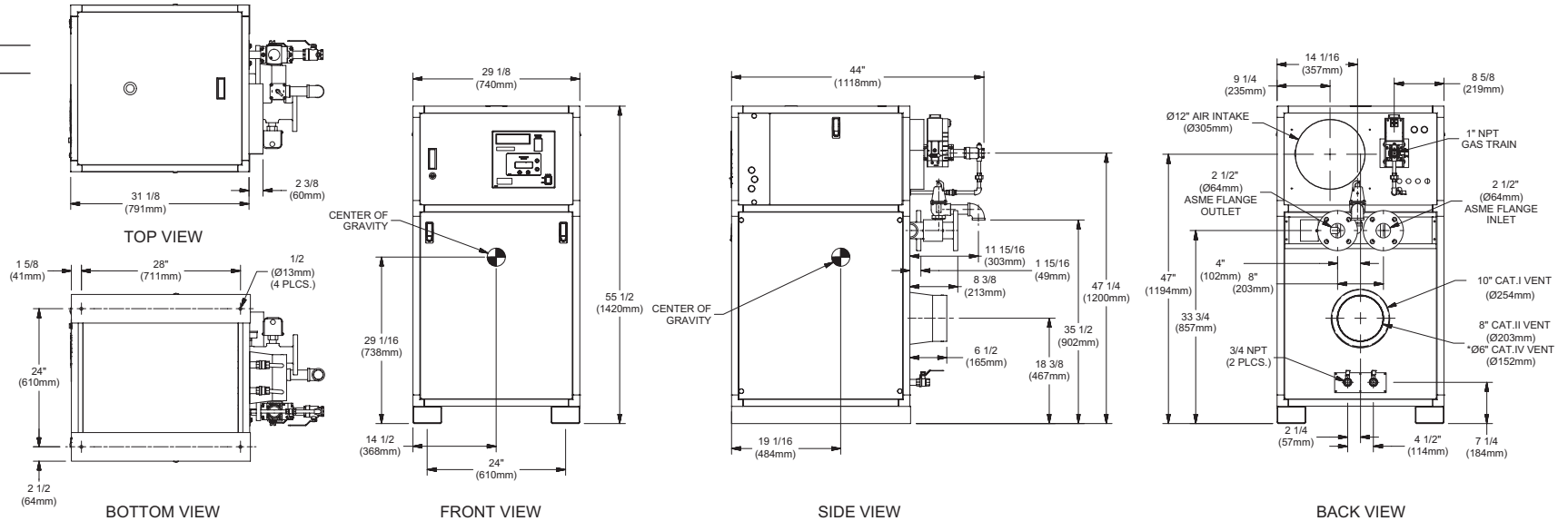
1. Dimensions are approximate and should not be used to "rough-in" equipment.
2. Dimensions are subject to change without notice.

INDOOR UNIT

RSUB-58-L

CODE OPTIONS

CSD-1 Manual Reset LWCO



Notes:

1. Dimensions are approximate and should not be used to "rough-in" equipment.
2. Dimensions are subject to change without notice.

BOILER CERTIFIED RATINGS & CAPACITIES

Fuel Type	Natural/Propane Gas	Boiler FLA	11.3*
Input BTU/hr.	1,250,000 / 366 kW	Min. Gas Pressure Required	2" W.C.**
Output BTU/hr.	1,066,250 / 312 kW	Max. Gas Pressure Allowed	14" W.C.
Electrical Requirements	(L1, NEU, GND) 120VAC / 1 ph / 60 hz	Operating Weight	748 lbs. / 340 kg.

BOILER TEMPERATURE RISE / PRESSURE DROP

20°F / 11.1°C				25°F / 13.9°C				30°F / 16.7°C				35°F / 19.4°C			
Flow Rate		Pressure Drop		Flow Rate		Pressure Drop		Flow Rate		Pressure Drop		Flow Rate		Pressure Drop	
GPM	L/s	Ft	kPa	GPM	L/s	Ft	kPa	GPM	L/s	Ft	kPa	GPM	L/s	Ft	kPa
107.0	6.8	2.14	6.3	85.6	5.4	1.42	4.2	71.3	4.5	1.01	3.0	61.1	3.9	.76	2.2

BOILER / WATER HEATER TRIM & CONTROLS

Main Gas Valve	Dungs MBC-SE	Air Switch	Cleveland NS2
Firing Valve	1"	Blower Motor	Fasco 1 hp - FLA 2.1
Ignition Control	Honeywell RM7895C	Relief Valve - MW	3/4" x 3/4" set @ 125 psi
Operating Control	HeatNet®	Relief Valve - MB	3/4" x 1" set @ 50 psi
High Limit	Jumo	Flow Switch	TACO
Main Ball Valve	1"	Pilot Regulator	White-Rodgers 25M

WATER HEATER HOURLY RECOVERY CAPACITY (GPH & LPH)

40°F	22°C	60°F	33°C	80°F	44°C	100°F	56°C	120°F	67°C	140°F	78°C
3102	11727	2068	7818	1551	5864	1241	4691	1034	3909	886	3351

Boilers & Water Heaters not available for sale in Canada due to NRCAN regulations.

A.S.M.E.

ASME Sect IV Htg Surface	133.76 Sq. Ft. / 12.43 Sq. M.	Design Data	Max. 160 psig & 250°F
Water Volume	4.7 gal / 17.79 Liters		

* Add circulator amps.

** For incoming gas pressures lower than 2" W.C. natural or propane, consult factory.

REP FIRM _____
 SUBMITTED BY _____
 JOB NAME _____
 ARCHITECT _____
 ENGINEER _____
 CONTRACTOR _____
 DATE _____

FUTERA III 1250

Category I, II or IV Appliance

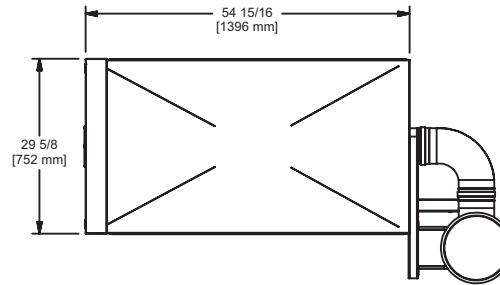
(see Installation and Operation Manual for venting information)



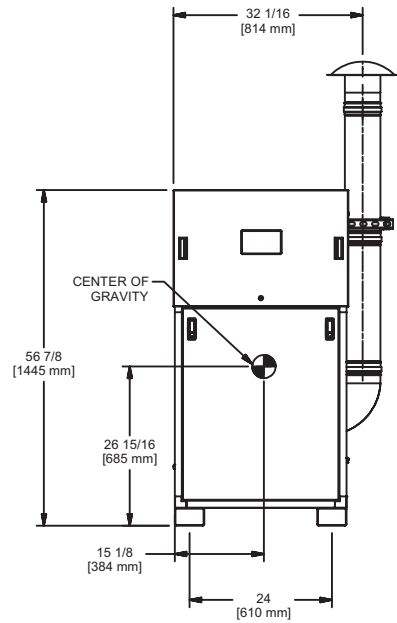
A Division of Mestek, Inc.
 Westfield, MA 01085
 (413) 568-9571

OUTDOOR UNIT

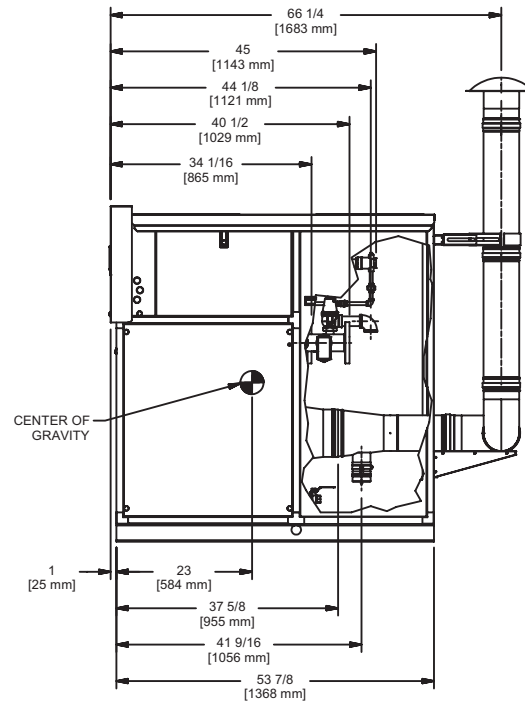
RSUB-113-B



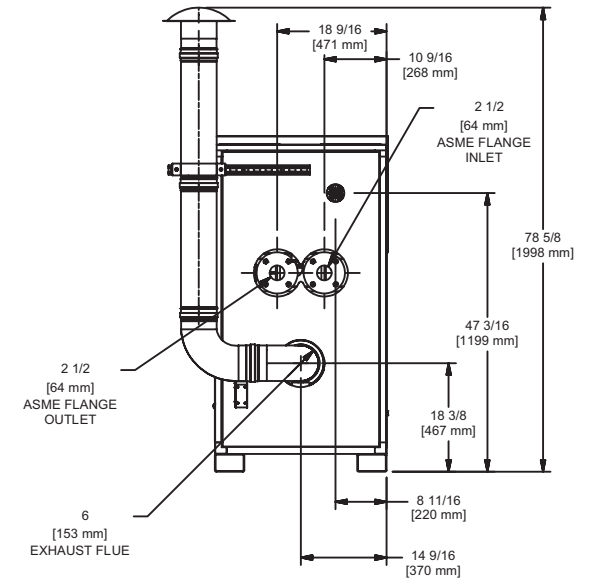
TOP VIEW



FRONT VIEW



SIDE VIEW



BACK VIEW

FUTERA III 1250

Boilers & Water Heaters not available for sale in Canada due to NRCAN regulations.

Notes:

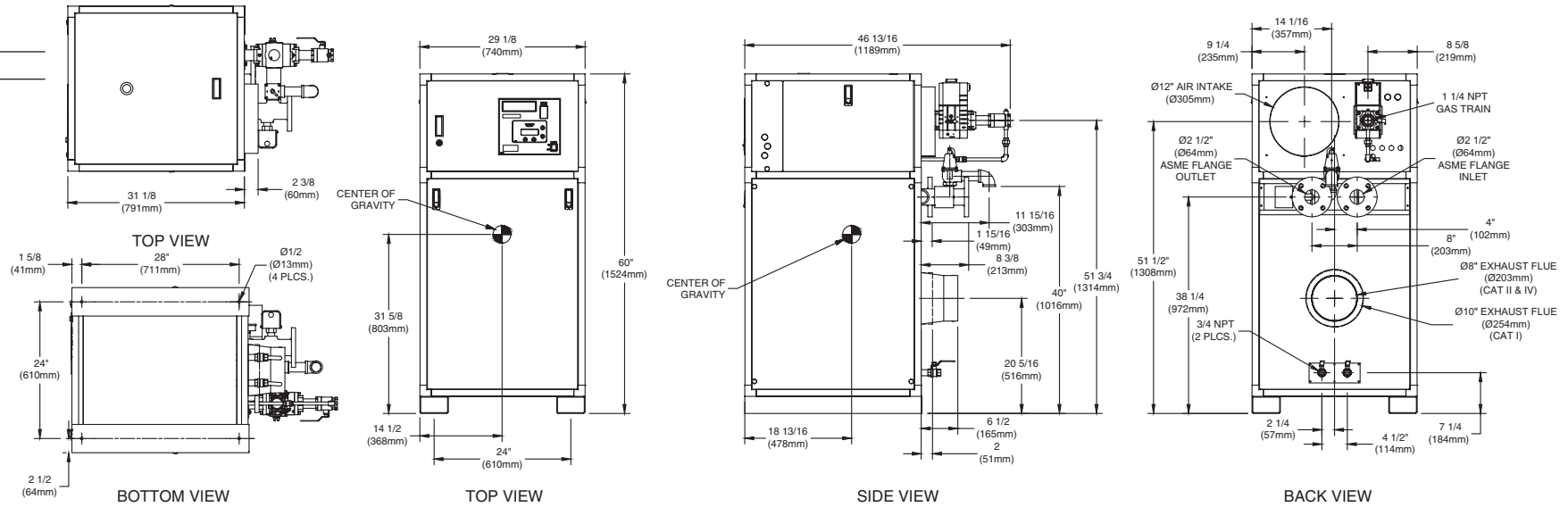
1. Dimensions are approximate and should not be used to "rough-in" equipment.
2. Dimensions are subject to change without notice.

INDOOR UNIT

RSUB-59-K

CODE OPTIONS

CSD-1 Manual Reset LWCO



Notes:

1. Dimensions are approximate and should not be used to "rough-in" equipment.
2. Dimensions are subject to change without notice.

BOILER CERTIFIED RATINGS & CAPACITIES

Fuel Type	Natural/Propane Gas	Boiler FLA	11.3*
Input BTU/hr.	1,500,000 / 440 kW	Min. Gas Pressure Required	2" W.C.**
Output BTU/hr.	1,278,000 / 374 kW	Max. Gas Pressure Allowed	14" W.C.
Electrical Requirements	(L1, NEU, GND) 120VAC/ 1 ph / 60 hz	Operating Weight	824 lbs. / 374 kg.

BOILER TEMPERATURE RISE / PRESSURE DROP

20°F / 11.1°C				25°F / 13.9°C				30°F / 16.7°C				35°F / 19.4°C			
Flow Rate		Pressure Drop		Flow Rate		Pressure Drop		Flow Rate		Pressure Drop		Flow Rate		Pressure Drop	
GPM	L/s	Ft	kPa	GPM	L/s	Ft	kPa	GPM	L/s	Ft	kPa	GPM	L/s	Ft	kPa
127.8	8.1	3.58	10.6	102.2	6.5	2.37	7.0	85.2	5.4	1.69	5.0	73.0	4.6	1.27	3.7

BOILER / WATER HEATER TRIM & CONTROLS

Main Gas Valve	Dungs MBC-SE	Air Switch	Cleveland NS2
Firing Valve	1 1/4"	Blower Motor	Fasco 1 hp - FLA 2.5
Ignition Control	Honeywell RM7895C	Relief Valve - MW	3/4" x 3/4" set @ 125 psi
Operating Control	HeatNet®	Relief Valve - MB	1" x 1 1/4" set @ 50 psi
High Limit	Jumo	Flow Switch	TACO
Main Ball Valve	1 1/4"	Pilot Regulator	White-Rodgers 25M

WATER HEATER HOURLY RECOVERY CAPACITY (GPH & LPH)

40°F	22°C	60°F	33°C	80°F	44°C	100°F	56°C	120°F	67°C	140°F	78°C
3714	14039	2476	9359	1857	7019	1486	5616	1238	4680	1061	4011

Boilers & Water Heaters not available for sale in Canada due to NRCan regulations.

A.S.M.E.

ASME Sect IV Htg Surface	161.16 Sq. Ft. / 14.97 Sq. M.	Design Data	Max. 160 psig & 250°F
Water Volume	5 gal / 18.93 Liters		

* Add circulator amps.

** For incoming gas pressures lower than 2" W.C. natural or propane, consult factory.

REP FIRM _____
 SUBMITTED BY _____
 JOB NAME _____
 ARCHITECT _____
 ENGINEER _____
 CONTRACTOR _____
 DATE _____

FUTERA III 1500

Category I, II or IV Appliance

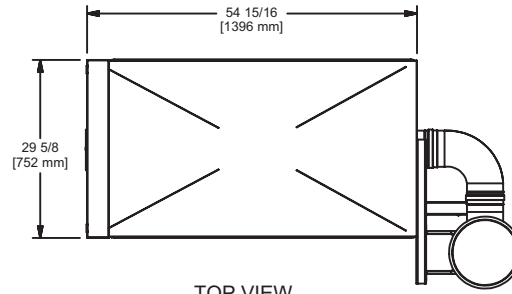
(see Installation and Operation Manual for venting information)



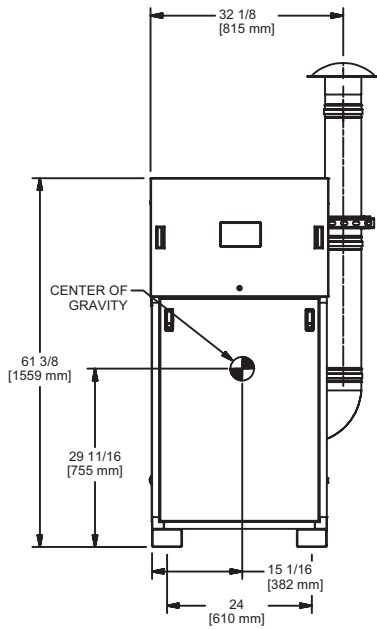
A Division of Mestek, Inc.
Westfield, MA 01085
(413) 568-9571

OUTDOOR UNIT

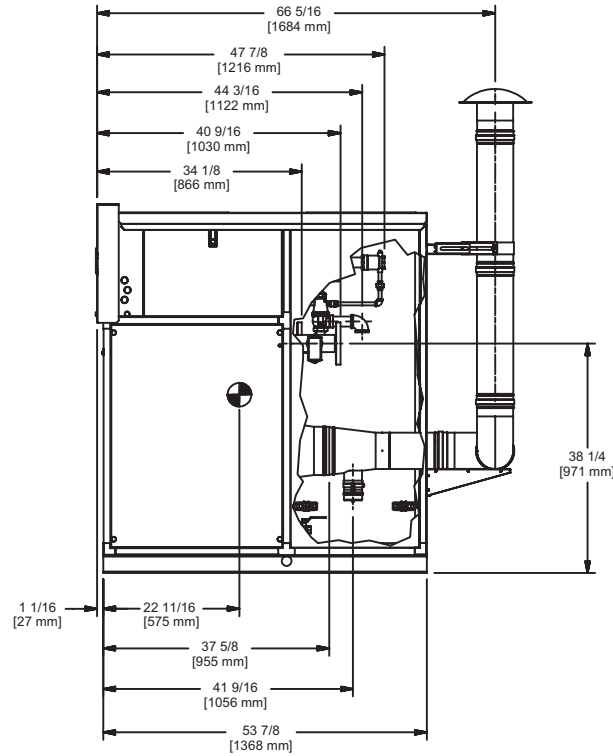
RSUB-114-B



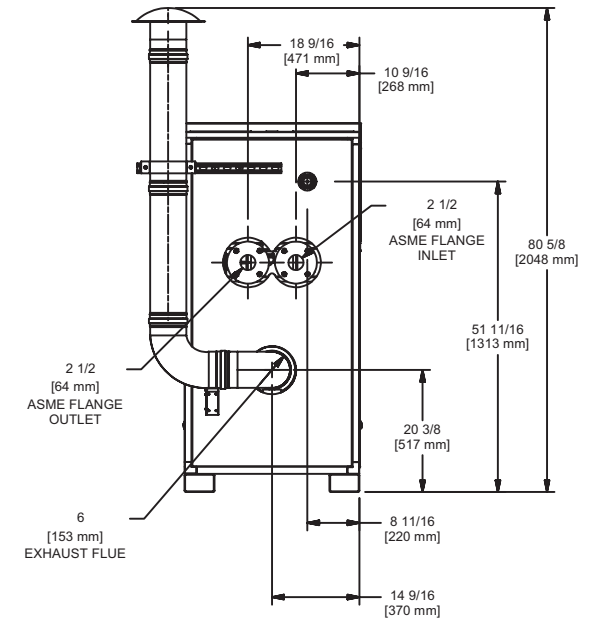
TOP VIEW



FRONT VIEW



SIDE VIEW



BACK VIEW

FUTERA III 1500

Boilers & Water Heaters not available for sale in Canada due to NRCAN regulations.

Notes:

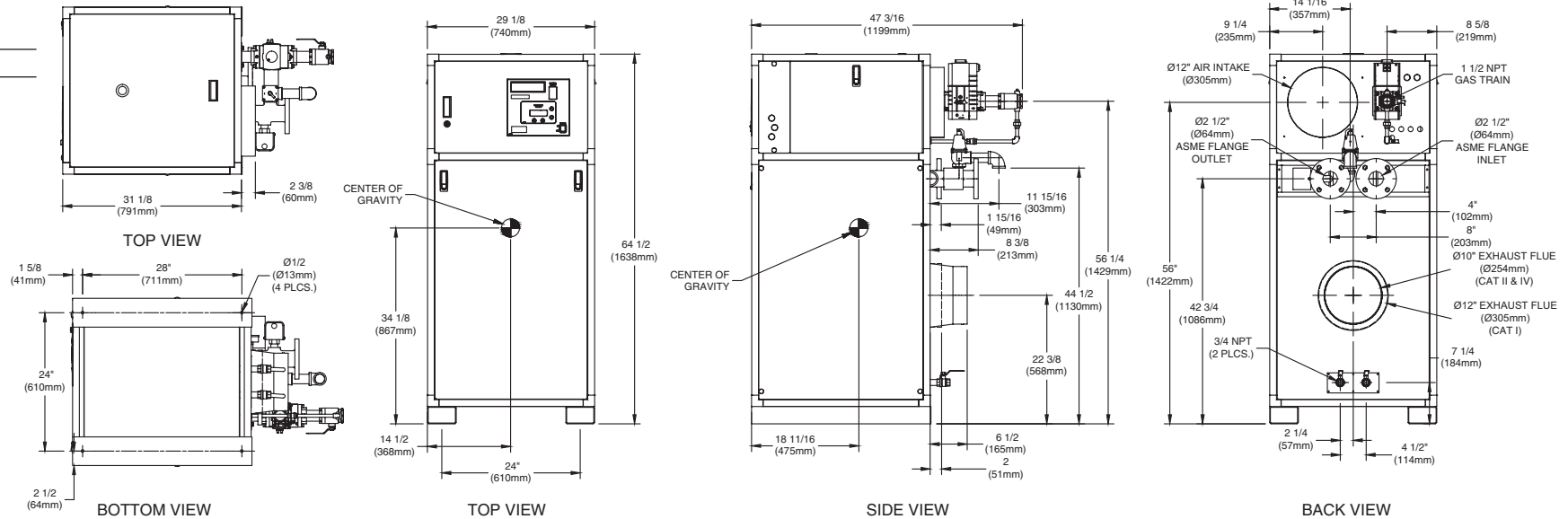
1. Dimensions are approximate and should not be used to "rough-in" equipment.
2. Dimensions are subject to change without notice.

INDOOR UNIT

RSUB-60-K

CODE OPTIONS

CSD-1 Manual Reset LWCO



Notes:

1. Dimensions are approximate and should not be used to "rough-in" equipment.
2. Dimensions are subject to change without notice.

BOILER CERTIFIED RATINGS & CAPACITIES

Fuel Type	Natural/Propane Gas	Boiler FLA	11.3*
Input BTU/hr.	1,750,000 / 513 kW	Min. Gas Pressure Required	2" W.C.**
Output BTU/hr.	1,491,000 / 437 kW	Max. Gas Pressure Allowed	14" W.C.
Electrical Requirements	(L1, NEU, GND) 120VAC/ 1 ph / 60 hz	Operating Weight	827 lbs. / 375 kg.

BOILER TEMPERATURE RISE / PRESSURE DROP

25°F / 13.9°C				30°F / 16.7°C				35°F / 19.4°C			
Flow Rate		Pressure Drop		Flow Rate		Pressure Drop		Flow Rate		Pressure Drop	
GPM	L/s	Ft	kPa	GPM	L/s	Ft	kPa	GPM	L/s	Ft	kPa
119.3	7.5	3.69	10.9	99.4	6.3	2.63	7.8	85.2	5.4	1.98	5.8

BOILER / WATER HEATER TRIM & CONTROLS

Main Gas Valve	Dungs MBC-SE	Air Switch	Cleveland NS2
Firing Valve	1 1/2"	Blower Motor	Fasco 1 hp - FLA 3.0
Ignition Control	Honeywell RM7895C	Relief Valve - MW	3/4" x 3/4" set @ 125 psi
Operating Control	HeatNet®	Relief Valve - MB	1" x 1 1/4" set @ 50 psi
High Limit	Jumo	Flow Switch	TACO
Main Ball Valve	1 1/2"	Pilot Regulator	White-Rodgers 25M

WATER HEATER HOURLY RECOVERY CAPACITY (GPH & LPH)

40°F	22°C	60°F	33°C	80°F	44°C	100°F	56°C	120°F	67°C	140°F	78°C
4317	16319	2878	10879	2159	8160	1727	6528	1439	5440	1233	4663

Boilers & Water Heaters not available for sale in Canada due to NRCan regulations.

A.S.M.E.

ASME Sect IV Htg Surface	188.57 Sq. Ft. / 17.52 Sq. M.	Design Data	Max. 160 psig & 250°F
Water Volume	5.3 gal / 20.06 Liters		

* Add circulator amps.

** For incoming gas pressures lower than 2" W.C. natural or propane, consult factory.

REP FIRM _____
 SUBMITTED BY _____
 JOB NAME _____
 ARCHITECT _____
 ENGINEER _____
 CONTRACTOR _____
 DATE _____

FUTERA III 1750

Category I, II or IV Appliance

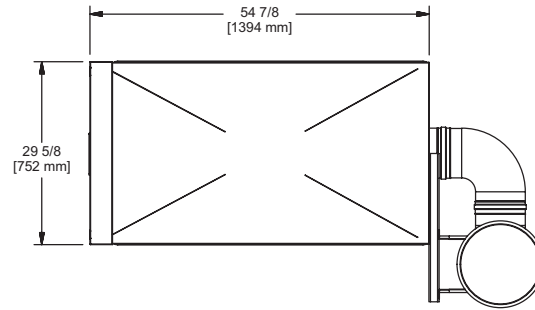
(see Installation and Operation Manual for venting information)



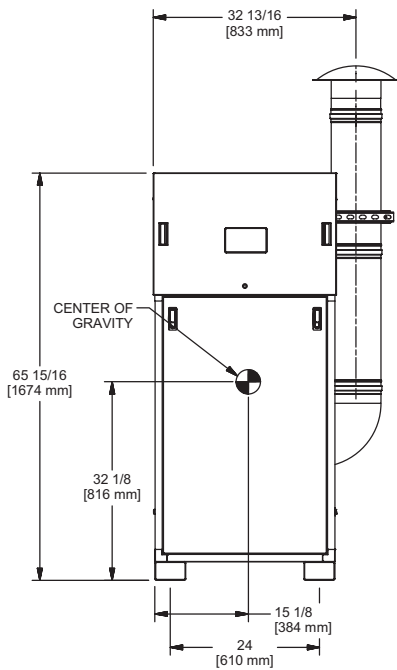
A Division of Mestec, Inc.
 Westfield, MA 01085
 (413) 568-9571

OUTDOOR UNIT

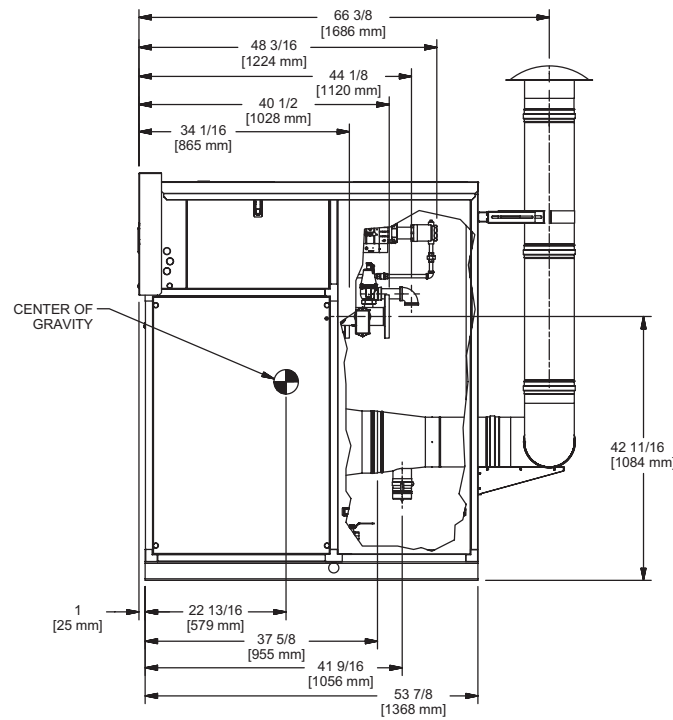
RSUB-115-B



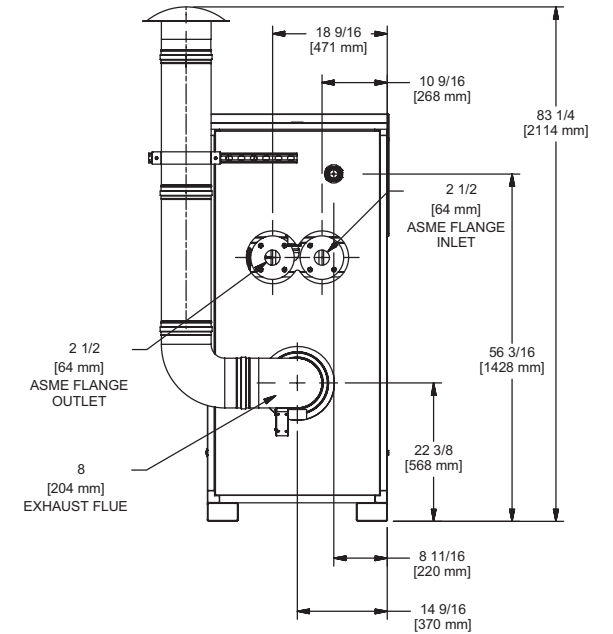
TOP VIEW



FRONT VIEW



SIDE VIEW



BACK VIEW

FUTERA III 1750

Boilers & Water Heaters not available for sale in Canada due to NRCan regulations.

Notes:

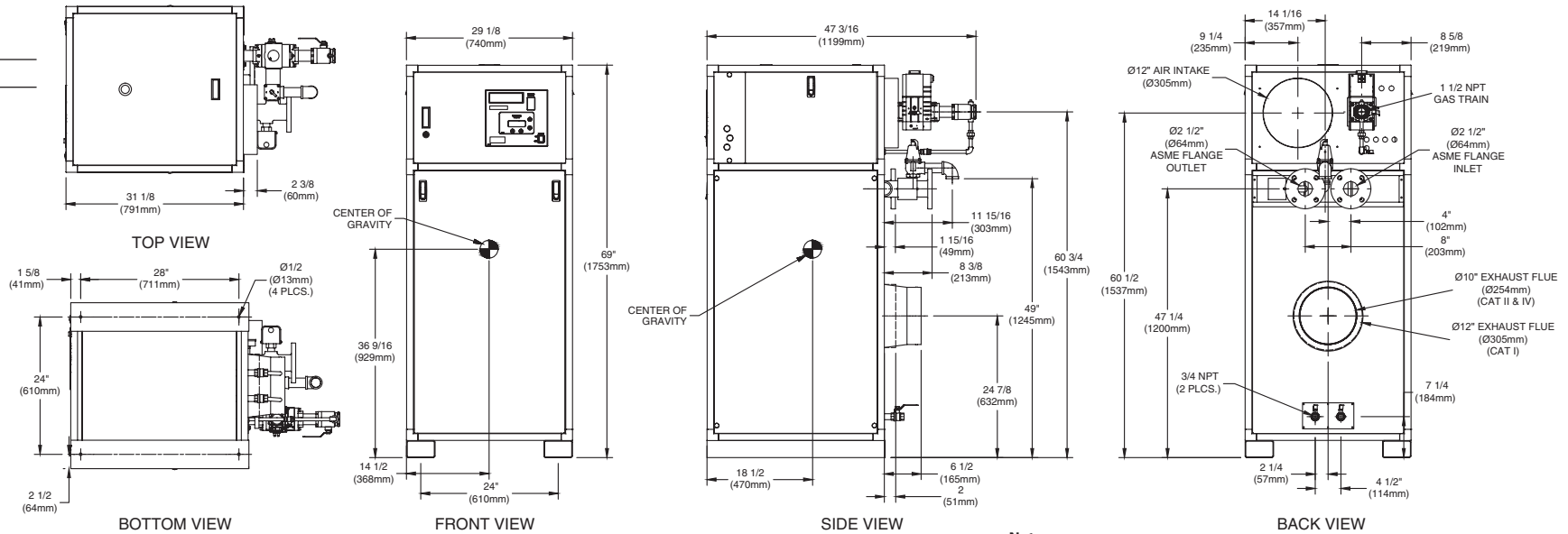
1. Dimensions are approximate and should not be used to "rough-in" equipment.
2. Dimensions are subject to change without notice.

INDOOR UNIT

RSUB-61-K

CODE OPTIONS

CSD-1 Manual Reset LWCO



Notes:

1. Dimensions are approximate and should not be used to "rough-in" equipment.
2. Dimensions are subject to change without notice.

BOILER CERTIFIED RATINGS & CAPACITIES

Fuel Type	Natural/Propane Gas	Boiler FLA	11.3*
Input BTU/hr.	2,000,000 / 586 kW	Min. Gas Pressure Required	2" W.C.**
Output BTU/hr.	1,703,999 / 499 kW	Max. Gas Pressure Allowed	14" W.C.
Electrical Requirements	(L1, NEU, GND) 120VAC/1 ph/60 hz	Operating Weight	1003 lbs. / 455 kg.

BOILER TEMPERATURE RISE / PRESSURE DROP

25°F / 13.9°C				30°F / 16.7°C				35°F / 19.4°C			
Flow Rate		Pressure Drop		Flow Rate		Pressure Drop		Flow Rate		Pressure Drop	
GPM	L/s	Ft	kPa	GPM	L/s	Ft	kPa	GPM	L/s	Ft	kPa
136.3	8.6	5.41	15.9	113.6	7.2	3.86	11.4	97.4	6.1	2.90	8.5

BOILER / WATER HEATER TRIM & CONTROLS

Main Gas Valve	Dungs MBC-SE	Air Switch	Cleveland NS2
Firing Valve	1 1/2"	Blower Motor	Fasco 1 hp - FLA 3.0
Ignition Control	Honeywell RM7895C	Relief Valve - MW	3/4" x 3/4" set @ 125 psi
Operating Control	HeatNet®	Relief Valve - MB	1" x 1 1/4" set @ 50 psi
High Limit	Jumo	Flow Switch	TACO
Main Ball Valve	1 1/2"	Pilot Regulator	White-Rodgers 25M

WATER HEATER HOURLY RECOVERY CAPACITY (GPH & LPH)

40°F	22°C	60°F	33°C	80°F	44°C	100°F	56°C	120°F	67°C	140°F	78°C
4922	18605	3281	12403	2461	9303	1969	7442	1641	6202	1406	5316

Boilers & Water Heaters not available for sale in Canada due to NRCan regulations.

A.S.M.E.

ASME Sect IV Htg Surface	215.98 Sq. Ft. / 20.06 Sq. M.	Design Data	Max. 160 psig & 250°F
Water Volume	5.7 gal / 21.58 Liters		

* Add circulator amps.

** For incoming gas pressures lower than 2" W.C. natural or propane, consult factory.

REP FIRM _____
 SUBMITTED BY _____
 JOB NAME _____
 ARCHITECT _____
 ENGINEER _____
 CONTRACTOR _____
 DATE _____

FUTERA III 2000

Category I, II or IV Appliance

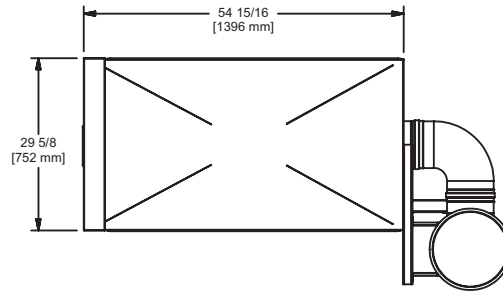
(see Installation and Operation Manual for venting information)



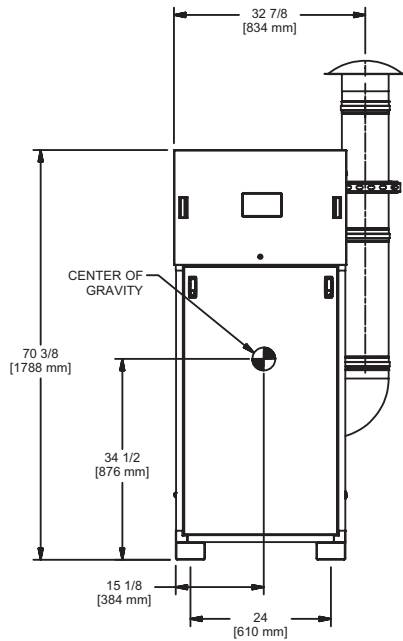
A Division of Mestek, Inc.
 Westfield, MA 01085
 (413) 568-9571

OUTDOOR UNIT

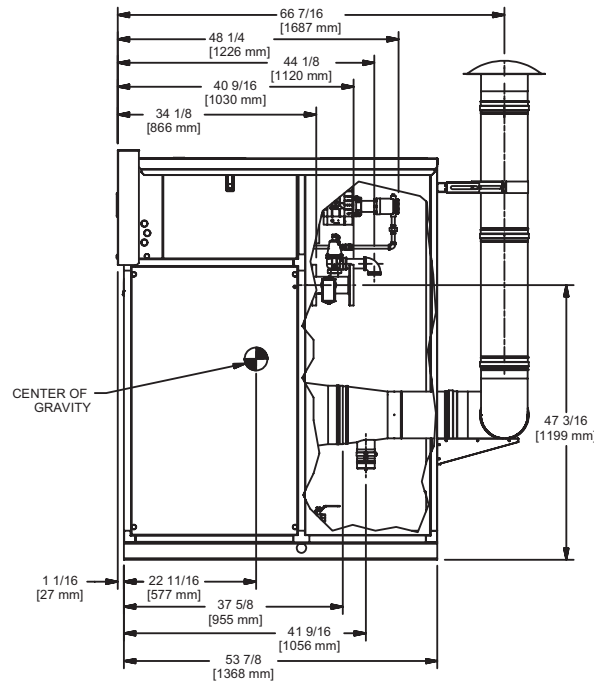
RSUB-116-B



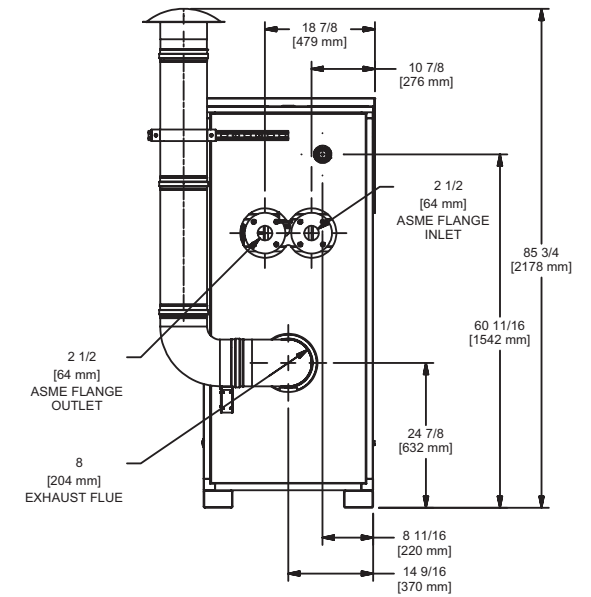
TOP VIEW



FRONT VIEW



SIDE VIEW



BACK VIEW

Boilers & Water Heaters not available for sale in Canada due to NRCan regulations.

Notes:

1. Dimensions are approximate and should not be used to "rough-in" equipment.
2. Dimensions are subject to change without notice.

FUTERA III 2000